



VENDED LAUNDRY T-450 EXPRESS STACK WASHER-DRYER



T-450 EXPRESS STACK WASHER-DRYER

Dexter C-Series Powered by DexterLive Controls

Vended laundry solutions you can depend on.

Dexter C-Series vended stack washer-dryers are engineered to show up for work in even the harshest laundry environments. Featuring DexterLive controls, next generation components, and high quality materials, these space saving combination units are designed to help make you more successful.

A store full of laundry equipment is a big investment and choosing the right equipment is an important decision. Our products will provide you the efficiency, flexibility, performance, and durability you need to be confident in your choice. With lifetime technical support and an industry leading warranty, you can be confident that we will stand behind every stack washer-dryer you invest in.

Contact your Dexter Authorized Distributor today for more details.

DURABLE:

With heavy-duty bearings in cast iron bearing housings, welded steel spiders and shafts, and rugged frame and cabinet designs, Dexter stack washer-dryers are built to last.

The washer design has been tested thoroughly with our 1,000 hour test.

The polished chrome doors and AISI 304 stainless steel tub, cylinder, and panels keep machines looking great for years.

The screw resistant tumbler hole pattern minimizes tumbler damage.

RELIABLE:

We offer an industry leading 10 year limited warranty on the washer and a 5 year limited warranty on the dryer.

A 3 year parts warranty covers the rest.

We stand behind every machine you invest in with lifetime technical support.

EFFICIENT:

With a dry-to-dry time of less than one hour, Dexter stack washer-dryers work fast and efficiently.

A next generation inverter drive on the washer lowers electrical usage and improves performance.

Powerful Express 200 g-force extraction removes more water to reduce dry time and helps reduce energy costs.

The electronic pressure sensor offers a range of water level options to increase efficiency and help save water.

INSTALLATION:

This combination unit provides a full laundry solution in a single footprint and is ideal for laundries with limited space.

The adjustable final extract speed allows the unit to fit almost any location.

This Dexter unit fits through a standard 36" door way.

PROFITABLE:

Every Dexter machine is now easier to use with a common user interface on all products, multiple language options, and detailed customer prompts.

DexterLive controls work with DexterLive.com to allow you to create custom programs that fit your business.

A variety of PLUS cycle features and promotion options will help you maximize revenue generation.

OPTIONS:

Available with blue or black graphics, stainless steel or galvanized dryer tumblers, and chrome or stainless steel dryer doors.

Your machines can be shipped with coin acceptors or payment system ready.

Gas models, with propane kits available.

EMPLOYEE OWNED | MADE IN THE USA | SINCE 1894

DEXTER.COM

2211 WEST GRIMES AVENUE, FAIRFIELD, IOWA 52556 USA

1.800.524.2954

T-450 EXPRESS STACK WASHER / DRYER SPECIFICATIONS

OVERALL SPECIFICATIONS:

| | | |
|--------------------------------------|------------|---------------|
| Capacity: | | |
| Dry Weight Capacity (per machine) | 30 lb | (13.6 kg) |
| Washer Cylinder Volume | 4 cu ft | (113.3 L) |
| Dryer Cylinder Volume | 11.3 cu ft | (320 L) |
| Speed: | | |
| Washer High Extract Speed | 200 g | (750 RPM) |
| Washer Intermediate Extract Speed | 60 g | (411 RPM) |
| Washer Washing Speed | 0.9 g | (50 RPM) |
| Washer Motor Size | 2 hp | (1.5 kW) |
| Dryer Tumbler Speed | 47 RPM | |
| Dryer Motor Size | 0.5 hp | (0.38 kW) |
| Airflow (Dryer Only): | | |
| 60 Hz Model | 500 cfm | (14.6 M3/min) |
| 50 Hz Model | 450 cfm | (12.7 M3/min) |
| Dimensions: | | |
| Overall Height | 78 3/4" | (200 cm) |
| Overall Width | 31 1/2" | (80 cm) |
| Overall Depth | 47 5/16" | (120.2 cm) |
| | | |
| Washer Cylinder Diameter | 25" | (63.5 cm) |
| Washer Cylinder Depth | 14 1/8" | (35.9 cm) |
| Washer Door Opening | 15 1/4" | (38.7 cm) |
| Floor to Washer Door Bottom | 12 7/16" | (31.6 cm) |
| | | |
| Dryer Cylinder Diameter | 30" | (76.2 cm) |
| Dryer Cylinder Depth | 27 1/2" | (69.9 cm) |
| Dryer Door Opening | 22 11/16" | (57.6 cm) |
| Floor to Dryer Door Bottom | 46 15/16" | (119.2 cm) |
| Dryer Lint Screen Area | 453 sq in | (2923 sq cm) |
| Weight: | | |
| Net Weight | 1051 lbs | (476.7 kg) |
| Shipping Information: | | |
| Shipping Weight | 1101 lbs | (499.4 kg) |
| Shipping Height | 83 1/4" | (211.5 cm) |
| Shipping Width | 33" | (83.8 cm) |
| Shipping Depth | 54" | (137.2 cm) |
| Installation Recommendations: | | |
| Minimum Clearance Between Machines | 1/2" | (1.3 cm) |
| Minimum Clearance Behind Machines | 24" | (61 cm) |
| Minimum Concrete Thickness | 6" | (15.2 cm) |
| Make-Up Air Required | 1 sq ft | (929 sq cm) |
| Exhaust Size | 6" | (15.2 cm) |

WASHER REQUIREMENTS:

| | | |
|---|------------|---------------|
| Water Requirements: | | |
| Water Inlet Size | 3/4" | (19 mm) |
| Flow Rate (per min) | 9 gal | (34.1 L) |
| Pressure (min/max) | 30-120 psi | (207-827 kPa) |
| Approximate Water Usage (per cycle) | 23.5 gal | (89 L) |
| Approximate Hot Water Usage (per cycle) | 3.9 gal | (14.8 L) |
| Drain Diameter (O.D.) | 3" | (7.6 cm) |
| Floor to Center of Drain | 4 7/16" | (11.3 cm) |

Electrical Requirements:

| Model | Volts / Hz / Phase / Wiring | Circuit Breaker / Running Amps / Wire Size |
|-------|------------------------------------|--|
| -12 | 208-240 / 60 / 1 / 2 wire + ground | 15 amp / 6.2 amp / #12 |
| -12 | 208-240 / 60 / 3 / 3 wire + ground | 15 amp / 6.2 amp / #12 |
| -39 | 230 / 50 / 1 / 2 wire + ground | 15 amp / 6.2 amp / 3.5 mm ² |
| -59 | 230 / 50 / 1 / 2 wire + ground | 15 amp / 6.2 amp / 3.5 mm ² |

DRYER REQUIREMENTS:

Gas Requirements (Gas Models Only):

| | | |
|-----------------------------------|--------------|------------------|
| Gas Supply Connection | 1/2" | (12.7 mm) |
| Natural Gas Supply (Water Column) | 5-10" | (12.7 - 25.4 cm) |
| LP Gas Supply (Water Column) | 11 1/2 - 14" | (29.2 - 35.5 cm) |

Gas Usage (Gas Models Only):

| | | |
|------------|---------------|-----------|
| 60Hz Model | 80,000 BTU/hr | (23.4 kW) |
| 50Hz Model | 74,000 BTU/hr | (21.7 kW) |

Electrical Requirements:

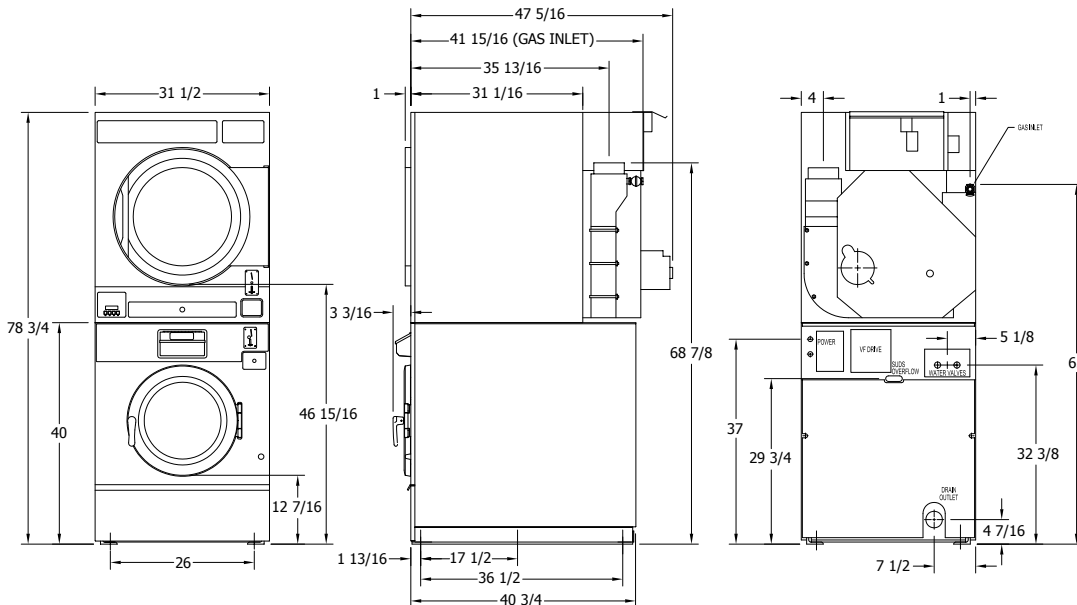
Gas Models:

| Model | Volts / Hz / Phase / Wiring | Circuit Breaker / Running Amps / Wire Size |
|-------|--------------------------------|--|
| -10 | 120 / 60 / 1 / 2 wire + ground | 15 amp / 9.8 amp / #12 |
| -39 | 230 / 50 / 1 / 2 wire + ground | 15 amp / 5 amp / 3.5 mm ² |
| -59 | 230 / 50 / 1 / 2 wire + ground | 15 amp / 5 amp / 3.5 mm ² |

Electric Models:

| Model | kW / Volts / Hz / Phase / Wiring | Circuit Breaker / Running Amps / Wire Size |
|-------|-------------------------------------|--|
| -79 | 24 / 400 / 50 / 3 / 4 wire + ground | 50 amp / 45 amp / 13.3 mm ² |

AGENCY APPROVALS*



FRONT

SIDE

BACK

Due to continuous product improvements specifications are subject to change, please consult the installation manual for the most accurate information.

*Agency approvals may vary depending on the machine configuration, consult Dexter Laundry or your Dexter Authorized Distributor for details.