

Tumble Dryers

Speed Queen

18 Digit Model Numbers with 3 and 5 in 13th Position

Refer to Page 9 for Model Identification

Operation/Maintenance



Original Instructions

Keep These Instructions for Future Reference.

CAUTION: Read the instructions before using the machine.

(If this machine changes ownership, this manual must accompany machine.)

AllianceTM
Laundry Systems

www.alliancelaundry.com

Part No. 70545701ENR6
January 2020

Installation must conform with local codes or, in the absence of local codes, with:

In the U.S.A., installation must conform to the latest edition of the American National Standard Z223.1/ NFPA 54 “National Fuel Gas Code” and Standard ANSI/NFPA 70 “National Electric Code.”

In Canada, installation must comply with Standards CAN/CSA-B149.1 Natural Gas and Propane Installation Code and CSA C22.1, latest edition, Canadian Electric Code, Part I.

In Australia and New Zealand, installation must comply with the Gas Installations Standard AS/NZS 5601 Part 1: General Installations.

In Europe, before installation, check that the local distribution conditions, nature of gas and pressure, and the adjustment of the appliance are compatible.

This equipment has been designed and certified to comply with IEC/EN 60335 electrical safety standards for tumble dryers.



Read all instructions before using tumble dryer.

IMPORTANT: If it is unavoidable that fabrics that contain vegetable or cooking oil or have been contaminated by hair care products be placed in a tumble dryer, they should first be washed in hot water with extra detergent. This will reduce, but not eliminate, the hazard.

	WARNING
<p>FOR YOUR SAFETY, the information in this manual must be followed to minimize the risk of fire or explosion or to prevent property damage, personal injury or death.</p>	
W033	

	DANGER
<p>Electric shock hazard will result in death or serious injury. Disconnect all electric power to appliance and accessories and wait five (5) minutes before servicing.</p>	
W925	

	WARNING
<ul style="list-style-type: none"> • Do not store or use gasoline or other flammable vapors and liquids in the vicinity of this or any other appliance. • WHAT TO DO IF YOU SMELL GAS: <ul style="list-style-type: none"> • Do not try to light any appliance. • Do not touch any electrical switch; do not use any phone in your building. • Clear the room, building or area of all occupants. • Immediately call your gas supplier from a neighbor’s phone. Follow the gas supplier’s instructions. • If you cannot reach your gas supplier, call the fire department. • Installation and service must be performed by a qualified installer, service agency or the gas supplier. 	
W052	

IMPORTANT: Information must be obtained from a local gas supplier on instructions to be followed if the user smells gas. These instructions must be posted in a prominent location. Step-by-step instructions of the above safety information must be posted in a prominent location near the tumble dryer for customer use.

IMPORTANT: Post the following statement in a prominent location

FOR YOUR SAFETY

Do not store or use gasoline or other flammable vapors and liquids in the vicinity of this or any other appliance.

IMPORTANT: The installer must fully test the tumble dryer after installation and demonstrate to the owner how to operate the machine.

IMPORTANT: The machine shall only be installed in a room separated from inhabited rooms, incorporating appropriate ventilation specified in the National Installation Regulations.

IMPORTANT: The tumble dryer is not to be used if industrial chemicals have been used for cleaning.



WARNING

To reduce the risk of electric shock, fire, explosion, serious injury or death:

- Disconnect electric power to the tumble dryer before servicing.
- Close gas shut-off valve to gas tumble dryer before servicing.
- Close steam valve to steam tumble dryer before servicing.
- Never start the tumble dryer with any guards/ panels removed.
- Whenever ground wires are removed during servicing, these ground wires must be reconnected to ensure that the tumble dryer is properly grounded.

W002R1



WARNING

- Installation of unit must be performed by a qualified installer.
- Install tumble dryer according to manufacturer's instructions and local codes.
- DO NOT install a tumble dryer with flexible plastic venting materials. If flexible metal (foil type) duct is installed, it must be of a specific type identified by the appliance manufacturer as suitable for use with tumble dryer. Refer to section on connecting exhaust system. Flexible venting materials are known to collapse, be easily crushed, and trap lint. These conditions will obstruct tumble dryer airflow and increase the risk of fire.

W752R1



CAUTION

TO AVOID THE RISK OF FIRE THIS DRYER MUST BE EXHAUSTED OUTDOORS.

W928



WARNING

To reduce the risk of serious injury: Avoid contact with hot surfaces.

W927



WARNING

Electrical shock hazard can cause death or serious injury. To reduce the risk of electric shock, disconnect all electric power to appliance and accessories before servicing.

W929



WARNING

Moving parts hazard can cause serious injury. Disconnect electric power to unit before servicing. Unexpected start of machinery will occur if the unit is equipped with the extended tumble feature.

W937



WARNING

Lint compartment must be cleaned daily

To avoid the risk of fire:

- Use for drying water washed fabrics only.
- DO NOT dry articles containing foam rubber, plastic, or similarly textured rubber like materials.
- DO NOT put articles soiled with cooking oil in dryer as cooking oil may not be removed during washing. Due to the remaining oil the fabric may catch on fire by itself.
- DO NOT put articles soiled with flammable liquids or flammable cleaning solvents in dryer.

W930



CAUTION

- Risk of fire, a clothes dryer produces combustible lint. Exhaust outdoors. Care should be taken to prevent the accumulation of lint around the exhaust opening and in the surrounding area.
- DO NOT reach into the dryer until all moving parts have stopped.
- DO NOT let children play on or in the dryer.

W931

In Australia and New Zealand:



WARNING

- **DO NOT** operate this appliance before reading the instruction booklet.
- **DO NOT** place articles on or against this appliance.
- **DO NOT** store chemicals or flammable materials or spray aerosols near this appliance.
- **DO NOT** operate with panels, covers or guards removed from this appliance.
- **DO NOT** load materials containing flammable solvents into this appliance.
- **If repeated ignition reset is required, the dryer should not be used and a service call booked.**



Risk of fire/flammable material.


W926

The following information applies to the state of Massachusetts, USA.

- This appliance can only be installed by a Massachusetts licensed plumber or gas fitter.
- This appliance must be installed with a 36 inch [91 cm] long flexible gas connector.
- A “T-Handle” type gas shut-off valve must be installed in the gas supply line to this appliance.
- This appliance must not be installed in a bedroom or bathroom.

Safety Information

Important Safety Instructions

	WARNING
<p>To reduce the risk of fire, electric shock, serious injury or death to persons when using your tumble dryer, follow these basic precautions.</p>	
W776R1	

Save These Instructions

- Read all instructions before using the tumble dryer.
- Install the tumble dryer according to the INSTALLATION instructions. Refer to the EARTHING (grounding) instructions for the proper earthing (grounding) of the tumble dryer. All connections for electrical power, earthing (grounding) and gas supply must comply with local codes and be made by licensed personnel when required. It is recommended that the machine be installed by qualified technicians.
- Do not install or store the tumble dryer where it will be exposed to water and/or weather. The tumble dryer cannot be used in a closed room where the air supply is insufficient. If necessary, ventilation grids must be installed in the doors or the windows.
- This tumble dryer must not be activated without lint screen filter.
- When you perceive a gas odor, immediately shut off the gas supply and ventilate the room. Do not power on electrical appliances and do not pull electrical switches. Do not use matches or lighters. Do not use a phone in the building. Warn the installer, and if so desired, the gas company, as soon as possible.
- To avoid fire and explosion, keep surrounding areas free of flammable and combustible products. Regularly clean the cylinder and exhaust tube should be cleaned periodically by competent maintenance personnel. Daily remove debris from lint screen filter and inside of filter compartment.
- Do not use or store flammable materials near this appliance.
- Do not place into tumble dryer articles that have been previously cleaned in, washed in, soaked in or spotted with gasoline or machine oils, vegetable or cooking oils, cleaning waxes or chemicals, dry-cleaning solvents, thinner or other flammable or explosive substances as they give off vapors that could ignite, explode or cause fabric to catch on fire by itself.
- Do not spray aerosols in the vicinity of this appliance while it is in operation.
- Items such as foam rubber (latex foam), shower caps, waterproof textiles, rubber backed articles and clothes or pillows filled with foam rubber pads should not be dried in the tumble dryer. Do not use the appliance to dry materials with a low melting temperature (PVC, rubber, etc.).
- Do not tumble fiberglass curtains and draperies unless the label says it can be done. If they are dried, wipe out the cylinder with a damp cloth to remove particles of fiberglass.
- Do not allow children to play on or in the dryer. Close supervision of children is necessary when the dryer is used near children. This appliance is not intended for use by persons (including children) with reduced physical, sensory or mental capabilities, or lack of experience and knowledge, unless they have been given supervision or instruction concerning the use of the appliance by a person responsible for their safety. This is a safety rule for all appliances.
- Cleaning and user maintenance shall not be made by children without supervision.
- Children less than three years should be kept away unless continuously supervised.
- Do not reach into the tumble dryer if the cylinder is revolving.
- Use tumble dryer only for its intended purpose, drying fabrics. Always follow the fabric care instructions supplied by the textile manufacturer and only use the dryer to dry textiles that have been washed in water. Only insert spin-dried linen in the dryer to avoid damage to dryer.
- Always read and follow manufacturer's instructions on packages of laundry and cleaning aids. Follow all warnings or precautions. To reduce the risk of poisoning or chemical burns, keep them out of the reach of children at all times (preferably in a locked cabinet).
- Do not use fabric softeners or products to eliminate static unless recommended by the manufacturer of the fabric softener or product.
- Remove laundry immediately after tumble dryer stops.
- DO NOT operate the tumble dryer if it is smoking, grinding or has missing or broken parts or removed guards or panels. DO NOT tamper with the controls or bypass any safety devices.
- Tumble dryer will not operate with the loading door open. DO NOT bypass the door safety switch to permit the tumble dryer to operate with the door open. The tumble dryer will stop rotating when the door is opened. Do not use the tumble dryer if it does not stop rotating when the door is opened or starts tumbling without pressing the START mechanism. Remove the tumble dryer from use and call for service.
- Tumble dryer will not operate with lint panel open. DO NOT bypass lint panel door safety switch to permit the tumble dryer to operate with the lint panel door open.
- Do not alter this tumble dryer from factory construction except as otherwise described in the technical instructions.
- Always clean the lint filter daily. Keep area around the exhaust opening and adjacent surrounding area free from the accumulation of lint, dust and dirt. The interior of the tumble dryer and the exhaust duct should be cleaned periodically by qualified service personnel.
- Solvent vapors from dry-cleaning machines create acids when drawn through the heater of the drying unit. These acids are corrosive to the tumble dryer as well as the laundry load being dried. Be sure make-up air is free of solvent vapors.

- At the end of each working day, close off all main supplies of gas, steam and electricity.

IMPORTANT: For fire suppression equipped tumble dryers, electricity and water should NOT be turned off.

- Do not repair or replace any part of the tumble dryer, or attempt any servicing unless specifically recommended in the user-maintenance instructions or in published user-repair instructions that the user understands and has the skills to carry out. ALWAYS disconnect and lockout the electrical power to the tumble dryer before servicing. Disconnect power by shutting off appropriate breaker or fuse.
- Activation of the emergency stop switch stops all tumble dryer control circuit functions, but DOES NOT remove all electrical power from tumble dryer.
- Exhaust ductwork should be examined and cleaned annually after installation.
- Before the tumble dryer is removed from service or discarded, remove the door to the drying compartment and the door to the lint compartment.
- Failure to install, maintain, and/or operate this tumble dryer according to the manufacturer’s instructions may result in conditions which can produce bodily injury and/or property damage.




NOTE: The WARNINGS and IMPORTANT SAFETY INSTRUCTIONS appearing in this manual are not meant to cover all possible conditions and situations that may occur. Observe and be aware of other labels and precautions that are located on the machine. They are intended to provide instruction for safe use of the machine. Common sense, caution and care must be exercised when installing, maintaining, or operating the tumble dryer.

Always contact your dealer, distributor, service agent or the manufacturer about any problems or conditions you do not understand.

NOTE: All appliances are produced according the EMC-directive (Electro-Magnetic-Compatibility). They can be used in restricted surroundings only (comply minimally with class A requirements). For safety reasons there must be kept the necessary precaution distances with sensitive electrical or electronic device(s). These machines are not intended for domestic use by private consumers in the home environment.

Explanation of Safety Messages

Precautionary statements (“DANGER,” “WARNING,” and “CAUTION”), followed by specific instructions, are found in this manual and on machine decals. These precautions are intended for the personal safety of the operator, user, servicer, and those maintaining the machine.

	DANGER
Indicates an imminently hazardous situation that, if not avoided, will cause severe personal injury or death.	
	WARNING
Indicates a hazardous situation that, if not avoided, could cause severe personal injury or death.	
	CAUTION
Indicates a hazardous situation that, if not avoided, may cause minor or moderate personal injury or property damage.	

Additional precautionary statements (“IMPORTANT” and “NOTE”) are followed by specific instructions.

IMPORTANT: The word “IMPORTANT” is used to inform the reader of specific procedures where minor machine damage will occur if the procedure is not followed.

NOTE: The word “NOTE” is used to communicate installation, operation, maintenance or servicing information that is important but not hazard related.

Table of Contents

Safety Information.....	6
Important Safety Instructions.....	6
Explanation of Safety Messages.....	7
Introduction.....	9
Machine Identification.....	9
Contact Information.....	14
Operating Instructions.....	16
Operating Instructions.....	16
Emergency Stop Button.....	16
Operating Instructions.....	16
Reversing Operation.....	17
Control Instructions.....	18
MDC II.....	18
Dual Digital Control.....	18
Quantum Gold (Vend)	19
Quantum Gold (OPL)	19
Ignition Control Operation and Troubleshooting.....	20
Internal Control Failure.....	21
Troubleshooting.....	21
Proper Electrode Location.....	22
Flame Current Measurement.....	22
Maintenance.....	23
Daily.....	23
Monthly.....	23
Yearly.....	23
Fire Suppression System (Optional Equipment) Maintenance Test.....	24
Before You Call for Service.....	26
Removing Tumble Dryer from Service.....	27
Disposal of Unit.....	28

Introduction

Machine Identification

Information in this manual is applicable to these machines. Refer to the serial plate.

25 Series (11 Kg)							
MG025D	MJ025E	SA025L	SG025N	SH025R	SJ025R	SL025E	ST025S
MG025E	MJ025F	SA025N	SG025R	SH025S	SJ025S	SL025L	SU025E
MG025F	MJ025L	SA025R	SG025S	SJ025D	SK025E	ST025E	SU025F
MG025L	MJ025N	SA025S	SH025E	SJ025E	SK025F	ST025F	SU025L
MG025N	MJ025R	SG025D	SH025F	SJ025F	SK025L	ST025L	SU025N
MG025R	MJ025S	SG025E	SH025L	SJ025L	SK025N	ST025N	SU025R
MG025S	SA025E	SG025F	SH025N	SJ025N	SK025R	ST025R	SU025S
MJ025D	SA025F	SG025L					
RT025E-IA	RT025F-IA	RT025L-IA	RT025N-IA	RT025R-IA	RT025S-IA	RT025T-IA	
RT025E-TA	RT025F-TA	RT025L-TA	RT025N-TA	RT025R-TA	RT025S-TA	RT025T-TA	

30 Series (13 Kg)							
MG030D	MJ030E	SA030L	SG030N	SH030R	SJ030R	SL030E	ST030S
MG030E	MJ030F	SA030N	SG030R	SH030S	SJ030S	SL030L	SU030E
MG030F	MJ030L	SA030R	SG030S	SJ030D	SK030E	ST030E	SU030F
MG030L	MJ030N	SA030S	SH030E	SJ030E	SK030F	ST030F	SU030L
MG030N	MJ030R	SG030D	SH030F	SJ030F	SK030L	ST030L	SU030N
MG030R	MJ030S	SG030E	SH030L	SJ030L	SK030N	ST030N	SU030R
MG030S	SA030E	SG030F	SH030N	SJ030N	SK030R	ST030R	SU030S
MJ030D	SA030F	SG030L					
RT030E-IA	RT030F-IA	RT030L-IA	RT030N-IA	RT030R-IA	RT030S-IA	RT030T-IA	
RT030E-TA	RT030F-TA	RT030L-TA	RT030N-TA	RT030R-TA	RT030S-TA	RT030T-TA	

T30 Series (13/13 Kg)							
MGT30D	MJT30E	SAT30L	SGT30N	SHT30R	SJT30R	SLT30E	STT30S
MGT30E	MJT30F	SAT30N	SGT30R	SHT30S	SJT30S	SLT30L	SUT30E

Table continues...

T30 Series (13/13 Kg)							
MGT30F	MJT30L	SAT30R	SGT30S	SJT30D	SKT30E	STT30E	SUT30F
MGT30L	MJT30N	SAT30S	SHT30E	SJT30E	SKT30F	STT30F	SUT30L
MGT30N	MJT30R	SGT30D	SHT30F	SJT30F	SKT30L	STT30L	SUT30N
MGT30R	MJT30S	SGT30E	SHT30L	SJT30L	SKT30N	STT30N	SUT30R
MGT30S	SAT30E	SGT30F	SHT30N	SJT30N	SKT30R	STT30R	SUT30S
MJT30D	SAT30F	SGT30L					
RTT30E-IA	RTT30F-IA	RTT30L-IA	RTT30N-IA	RTT30R-IA	RTT30S-IA	RTT30T-IA	
RTT30E-TA	RTT30F-TA	RTT30L-TA	RTT30N-TA	RTT30R-TA	RTT30S-TA	RTT30T-TA	

35 Series (16 Kg)							
MG035D	MJ035E	SA035L	SG035M	SH035R	SJ035R	SL035L	SU035E
MG035E	MJ035F	SA035M	SG035N	SH035S	SJ035S	ST035E	SU035F
MG035F	MJ035L	SA035N	SG035R	SJ035D	SK035E	ST035F	SU035L
MG035L	MJ035M	SA035R	SG035S	SJ035E	SK035F	ST035L	SU035M
MG035M	MJ035N	SA035S	SH035E	SJ035F	SK035L	ST035M	SU035N
MG035N	MJ035R	SG035D	SH035F	SJ035L	SK035N	ST035N	SU035P
MG035R	MJ035S	SG035E	SH035L	SJ035M	SK035R	ST035R	SU035R
MG035S	SA035E	SG035F	SH035M	SJ035N	SL035E	ST035S	SU035S
MJ035D	SA035F	SG035L	SH035N				
RT035E-IA	RT035F-IA	RT035L-IA	RT035N-IA	RT035R-IA	RT035S-IA	RT035T-IA	
RT035E-TA	RT035F-TA	RT035L-TA	RT035N-TA	RT035R-TA	RT035S-TA	RT035T-TA	

T45 Series (20/20 Kg) * Only available in gas							
MGT45D	MJT45D	SAT45L	SGT45L	SHT45N	SJT45N	SKT45R	STT45R
MGT45L	MJT45L	SAT45N	SGT45N	SHT45R	SJT45R	SLT45L	SUT45L
MGT45N	MJT45N	SAT45R	SGT45R	SJT45D	SKT45L	STT45L	SUT45N
MGT45R	MJT45R	SGT45D	SHT45L	SJT45L	SKT45N	STT45N	SUT45R
RTT45L-IA	RTT45N-IA	RTT45R-IA					
RTT45L-TA	RTT45N-TA	RTT45R-TA					

50 Series (25 Kg)							
MG050D	MJ050E	SA050N	SG050N	SH050S	SJ050S	SL050L	ST050S
MG050E	MJ050L	SA050S	SG050S	SJ050D	SK050E	ST050C	SU050E
MG050L	MJ050N	SG050D	SH050E	SJ050E	SK050L	ST050E	SU050L
MG050N	MJ050S	SG050E	SH050L	SJ050L	SK050N	ST050L	SU050N
MG050S	SA050E	SG050L	SH050N	SJ050N	SL050E	ST050N	SU050S
MJ050D	SA050L						
RT050E-IA	RT050F-IA	RT050L-IA	RT050N-IA	RT050S-IA	RT050T-IA		
RT050E-TA	RT050F-TA	RT050L-TA	RT050N-TA	RT050S-TA	RT050T-TA		

55 Series (24 Kg) * Only available in gas and electric							
MG055D	MJ055E	SA055L	SG055N	SH055R	SJ055R	SL055E	ST055R
MG055E	MJ055F	SA055N	SG055R	SJ055D	SK055E	SL055L	SU055E
MG055F	MJ055L	SA055R	SH055E	SJ055E	SK055F	ST055E	SU055F
MG055L	MJ055N	SG055D	SH055F	SJ055F	SK055L	ST055F	SU055L
MG055N	MJ055R	SG055E	SH055L	SJ055L	SK055N	ST055L	SU055N
MG055R	SA055E	SG055F	SH055N	SJ055N	SK055R	ST055N	SU055R
MJ055D	SA055F	SG055L					
RT055E-IA	RT055F-IA	RT055L-IA	RT055N-IA	RT055R-IA			
RT055E-TA	RT055F-TA	RT055L-TA	RT055N-TA	RT055R-TA			

75 Series (34 Kg)							
MG075D	MJ075E	SA075L	SG075L	SH075M	SJ075M	SK075R	ST075S
MG075E	MJ075F	SA075M	SG075M	SH075N	SJ075N	ST075C	SU075E
MG075F	MJ075L	SA075N	SG075N	SH075R	SJ075R	ST075E	SU075F
MG075L	MJ075M	SA075R	SG075R	SH075S	SJ075S	ST075F	SU075L
MG075M	MJ075N	SA075S	SG075S	SJ075D	SK075E	ST075L	SU075M
MG075N	MJ075R	SG075D	SH075E	SJ075E	SK075F	ST075M	SU075N
MG075R	MJ075S	SG075E	SH075F	SJ075F	SK075L	ST075N	SU075R
MG075S	SA075E	SG075F	SH075L	SJ075L	SK075N	ST075R	SU075S
MJ075D	SA075F						
RT075E-IA	RT075F-IA	RT075L-IA	RT075N-IA	RT075R-IA	RT075S-IA	RT075T-IA	

Table continues...

75 Series (34 Kg)							
RT075E-TA	RT075F-TA	RT075L-TA	RT075N-TA	RT075R-TA	RT075S-TA	RT075T-TA	

120 Series (55 Kg)							
SA120E	SG120E	SH120E	SJ120E	SK120E	ST120C	ST120N	SU120L
SA120L	SG120L	SH120L	SJ120L	SK120L	ST120E	ST120S	SU120N
SA120N	SG120N	SH120N	SJ120N	SK120N	ST120L	SU120E	SU120S
SA120S	SG120S	SH120S	SJ120S				
RT120E-IA	RT120F-IA	RT120L-IA	RT120N-IA	RT120S-IA	RT120T-IA		
RT120E-TA	RT120F-TA	RT120L-TA	RT120N-TA	RT120S-TA	RT120T-TA		

170 Series (77 Kg) * Only available in gas and steam							
SA170L	SG170L	SH170L	SJ170L	SK170L	ST170L	ST170S	SU170N
SA170N	SG170N	SH170N	SJ170N	SK170N	ST170N	SU170L	SU170S
SA170S	SG170S	SH170S	SJ170S	ST170C			
RT170L-IA	RT170N-IA	RT170S-IA	RT170T-IA				
RT170L-TA	RT170N-TA	RT170S-TA	RT170T-TA				

200 Series (90 Kg)* Only available in gas and steam							
SA200L	SG200L	SH200L	SJ200L	SK200L	ST200L	ST200S	SU200N
SA200N	SG200N	SH200N	SJ200N	SK200N	ST200N	SU200L	SU200S
SA200S	SG200S	SH200S	SJ200S	ST200C			
RT200L-IA	RT200N-IA	RT200S-IA	RT200T-IA				
RT200L-TA	RT200N-TA	RT200S-TA	RT200T-TA				

Heater Digit (Position 6)
C - Steam (CRN)
D - Liquid Petroleum (L.P.) Gas, Japan
E - Electric
F - Reduced Electric (Eco Line)
L - L.P. Gas
M - Medium Electric
N - Natural Gas
P - Low Electric
R - Reduced Gas, Natural Gas (Eco Line)
S - Steam

Vended Control Suffixes		
Control Digit (position 7)	Actuation Digit (position 8)	Example Control Suffix Combination
B - MDC II N - Quantum Gold Networkable W - Quantum Gold Networked	C - Single Coin Drop D - Dual Coin Drop E - Electronic Coin Drop F - Single Coin Drop + CD Lock and Key H - Electronic Coin Drop + CD Lock and Key L - Prep for Central Pay Q - Dual Coin Drop + CD Lock and Key T - Token Drop V - Token Drop + CD Lock and Key X - Prep for Coin Y - Prep for Card	BC - MDC II, Single Coin Drop WX - Quantum Gold Networked, Prep for Coin

OPL Control Suffixes		
Control Digit (position 7)	Actuation Digit (position 8)	Example Control Suffix Combination
F - Dual Digital Control N - Quantum Gold	N - OPL	FN- Dual Digital Control, OPL NN- Quantum Gold, OPL

Contact Information

If service is required, contact the nearest Factory Authorized Service Center.

If you are unable to locate an authorized service center or are unsatisfied with the service performed on your unit, contact:

Alliance Laundry Systems
Shepard Street
P.O. Box 990
Ripon, WI 54971-0990
U.S.A.
www.alliancelaundry.com
Phone: +1 (920) 748-3121 Ripon, Wisconsin


When calling or writing about your unit, PLEASE GIVE THE MODEL AND SERIAL NUMBERS. The model and serial numbers are located on the serial plate. The serial plate will be in the location shown in *Figure 1*.

Date Purchased _____

Model Number _____

Serial Number _____

Please include a copy of your bill of sale and any service receipts you have.

	WARNING
<p>To reduce the risk of serious injury or death, DO NOT repair or replace any part of the unit or attempt any servicing unless specifically recommended in the user-maintenance instructions or in published user-repair instructions that you understand and have the skills to carry out.</p>	
W329	

If replacement parts are required, contact the source from where you purchased your unit or call +1 (920) 748-3950 for the name and address of the nearest authorized parts distributor.

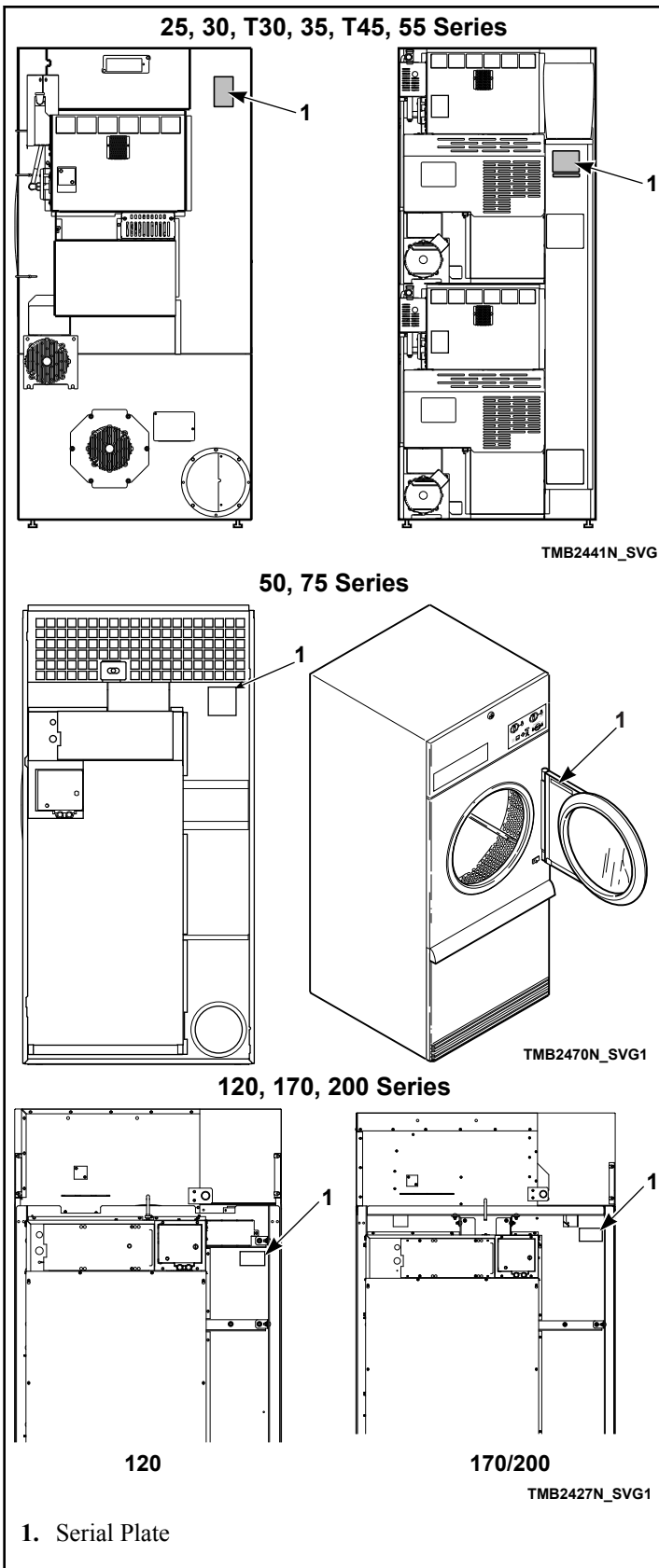




Figure 1

Operating Instructions

Operating Instructions

	WARNING
<p>To reduce the risk of fire:</p> <ul style="list-style-type: none"> • DO NOT DRY articles containing foam rubber or similarly textured rubberlike materials. • DO NOT DRY plastics, anything containing wax or chemicals such as mops and cleaning cloths, or anything dry-cleaned at home with a dry-cleaning solvent. • DO NOT TUMBLE fiberglass curtains and draperies unless the label says it can be done. If they are dried, wipe out the cylinder with a damp cloth to remove particles of fiberglass. 	
W076	

	WARNING
<p>To reduce the risk of serious injury, allow cylinder to stop before cleaning lint screen.</p>	
W412	

Emergency Stop Button

All on-premises laundry tumble dryers are factory equipped with an emergency stop button located on the front panel. Refer to *Figure 2*.

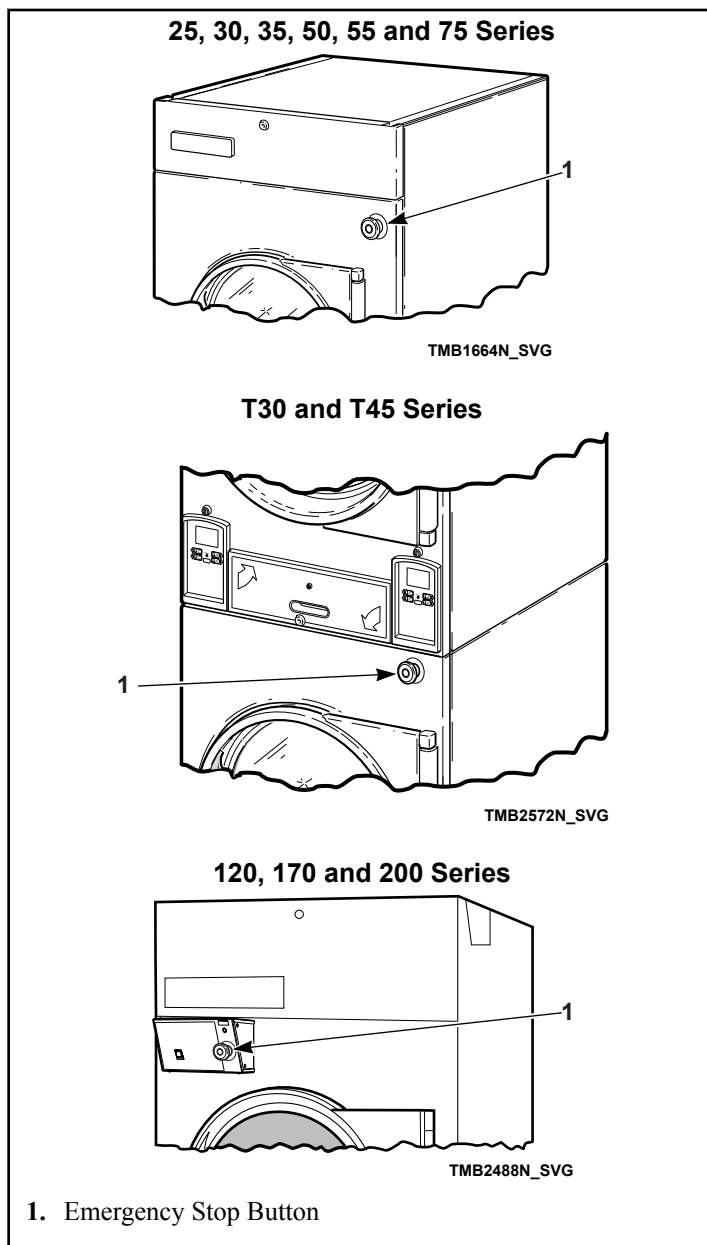



Figure 2

To operate emergency stop button:

- Press red emergency stop button to stop all action.
- To restart machine, pull red emergency stop button out and press START pad or button.

NOTE: Activation of the emergency stop button stops all machine control circuit functions, but DOES NOT remove all electrical power from machine.

Operating Instructions


	WARNING
<p>To reduce the risk of fire, electric shock, or injury to persons, read the IMPORTANT SAFETY INSTRUCTIONS before operating this appliance.</p>	
W727	

IMPORTANT: This appliance shall not be used to dry off solvents or dry cleaning fluids.

NOTE: Do not dry unwashed items in the tumble dryer.

1. Clean Lint Screen/Compartment
 - a. Remove any accumulated lint from the lint screen and compartment.
 - b. Close panel tightly against tumble dryer frame and lock panel securely, if applicable.

IMPORTANT: Clean lint screen and lint compartment daily. Failure to clean the lint screen daily will result in higher than normal temperatures that may damage laundry.

	WARNING
<p>To reduce the risk of fire and risk of lint collecting in exhaust duct, do not operate dryer without lint filter in place.</p>	
W771	

IMPORTANT: Make sure fresh air ventilation openings are not blocked or sealed.

2. Load Laundry

NOTE: Remove all objects from pockets such as lighters and matches.

IMPORTANT: Oil affected items can ignite spontaneously, especially when exposed to heat sources such as in a tumble dryer. The items become warm, causing an oxidation reaction in the oil. Oxidation creates heat. If the heat cannot escape, the items can become hot enough to catch fire. Piling, stacking or storing oil affected items can prevent heat from escaping and so create a fire hazard.

IMPORTANT: Load must go through a washer extraction cycle to remove excess moisture to avoid damage to tumble dryer.

- a. Open loading door and load cylinder with laundry. Maximum drying load is:

Model	Pound [Kg]
025	25 [11]

Table continues...

Model	Pound [Kg]
030	30 [13]
T30 (per cylinder)	30 [13]
035	35 [16]
T45 (per cylinder)	45 [20]
050	50 [25]
055	55 [24]
075	75 [34]
120	120 [55]
170	170 [77]
200	200 [90]

DO NOT OVERLOAD.

NOTE: Overloading causes slow drying and wrinkling.

- b. Close loading door. Tumble dryer will not operate with the door open.
3. Determine Control Type and Temperature Setting
 - a. Refer to the various controls and follow the instructions for the appropriate control type.
 - b. The type of fabric being dried will determine the temperature setting. Consult the fabric care label or fabric manufacturer to determine proper temperature setting.

IMPORTANT: Always follow the fabric care instructions supplied by the garment manufacturer.

4. Remove Laundry
 - a. When the cycle is complete, open door and remove the laundry.

Reversing Operation

Tumble dryers with the reversing option reduce the tangling of large pieces of laundry and minimize wrinkling.

To program reversing on or off, refer to programming manual. In nonreversing mode, the cylinder will always turn clockwise (as viewed from the front of the tumble dryer). If cylinder is rotating counterclockwise when reversing is disabled, the tumble dryer will finish the reversing step, pause, then start in the forward direction. Refer to Programming Manual for more information on reversing.

Control Instructions

MDC II

BC, BD, BE, BF, BH, BL, BQ, BT, BV, BX and BY Control Suffixes

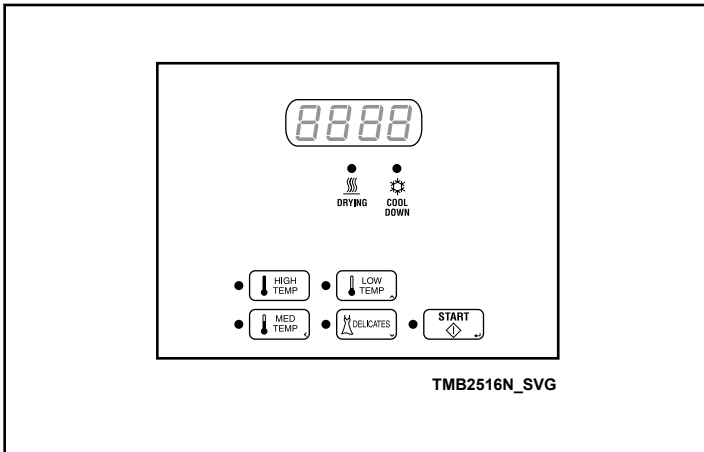


Figure 3

1. Select temperature by pressing the appropriate temperature pad.

HIGH	Temperature 190°F [88°C]
MED	Temperature 180°F [82°C]
LOW	Temperature 160°F [71°C]
DELICATES	Temperature 130°F [54°C]

2. Insert the coin(s) in the coin slot, or the card into the opening.
3. Press START pad to start tumble dryer.

WARNING

To prevent the risk of fire, never stop a dryer before the end of the drying cycle unless all items are quickly removed and spread out so that the heat is dissipated.

W756

IMPORTANT: To stop the tumble dryer at any time during the cycle, OPEN DOOR. To restart the tumble dryer, CLOSE door and press START pad.

4. When the cycle is complete, open door and remove the laundry.

WARNING

To prevent the risk of fire, remove laundry immediately in case of power failure.

W779

NOTE: This machine includes an extended tumble feature. After 20 minutes, the machine enters extended tumble and will tumble for two minutes every hour for up to 18 hours or until the door is opened.

Dual Digital Control

FN Control Suffix

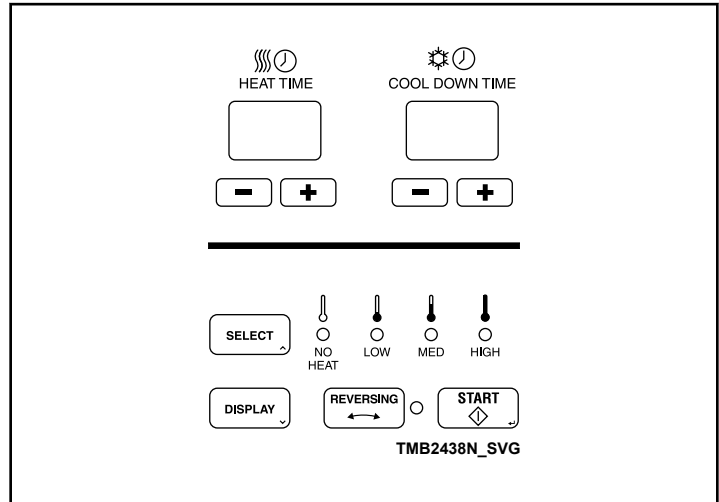



Figure 4

1. If display has gone blank due to sitting idle, press the DISPLAY keypad.
2. Press the SELECT keypad to choose HIGH, MED, LOW or NO HEAT temperature.

HIGH	Temperature 190°F [88°C]
MED	Temperature 170°F [77°C]
LOW	Temperature 120°F [49°C]


3. Press the plus and minus keypads to set HEAT TIME (0 - 99 minutes).
4. Press the plus and minus keypads to set COOL DOWN TIME (maximum of 15 minutes).
5. Press the REVERSING keypad to change the cylinder rotation setting, if applicable.
6. Press the START keypad to start tumble dryer. Display will show minutes remaining before end of cycle.

	WARNING
<p>To prevent the risk of fire, never stop a dryer before the end of the drying cycle unless all items are quickly removed and spread out so that the heat is dissipated.</p>	
W756	

NOTE: One touch drying is available for repetitive loads. If the START keypad is pressed while the machine is in Idle Mode, when the display is dark, the tumble dryer will repeat the last drying cycle. If the cycle time is adjusted before the cycle is started, the time displayed when the start button was pressed will be used for future cycles.

IMPORTANT: To stop the tumble dryer at any time during the cycle, OPEN DOOR. If the loading door or lint panel door is opened during the cycle, the heating system will shut off and the motor will stop. To restart the cycle, both doors must be closed and the START keypad must be pressed.

- When the cycle is complete, open door and remove the laundry.

	WARNING
<p>To prevent the risk of fire, remove laundry immediately in case of power failure.</p>	
W779	

NOTE: This machine includes an extended tumble feature. After 20 minutes, the machine enters extended tumble and will tumble for two minutes every hour for up to 18 hours or until the door is opened.

Quantum Gold (Vend)

NC, ND, NE, NF, NH, NL, NQ, NT, NV, NX, NY, WC, WD, WE, WF, WH, WL, WQ, WT, WV, WX and WY Control Suffixes

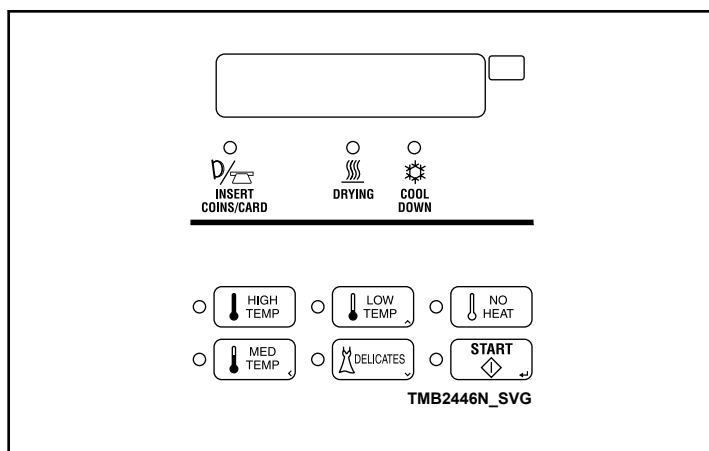



Figure 5

- Select HIGH, MED, LOW, NO HEAT or DELICATES by pressing the appropriate temperature pad.


HIGH	Temperature 190°F [88°C]
MED	Temperature 180°F [82°C]
LOW	Temperature 160°F [72°C]
DELICATES	Temperature 130°F [54°C]

- Insert the coin(s) in the coin slot or card into the card opening.
- Press START pad to start tumble dryer.

	WARNING
<p>To prevent the risk of fire, never stop a dryer before the end of the drying cycle unless all items are quickly removed and spread out so that the heat is dissipated.</p>	
W756	

IMPORTANT: To stop the tumble dryer at any time during a cycle, OPEN DOOR. To restart the tumble dryer, CLOSE door and press START pad.

- When the cycle is complete, open door and remove the laundry.

	WARNING
<p>To prevent the risk of fire, remove laundry immediately in case of power failure.</p>	
W779	

NOTE: This machine includes an extended tumble feature. After 20 minutes, the machine enters extended tumble and will tumble for two minutes every hour for up to 18 hours or until the door is opened.

Quantum Gold (OPL)

NN Control Suffix

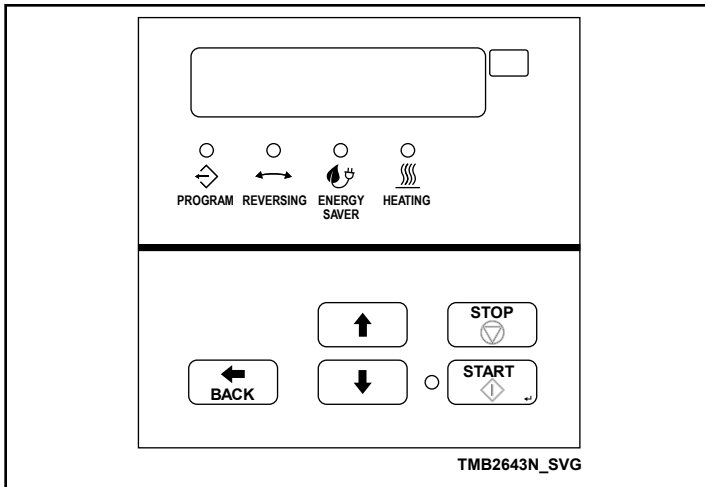


Figure 6

1. Press the Up or Down keypad to change cycles.
2. Press START to start selected cycle.

	WARNING
<p>To prevent the risk of fire, never stop a dryer before the end of the drying cycle unless all items are quickly removed and spread out so that the heat is dissipated.</p>	
W756	


IMPORTANT: If the loading door or lint panel door is opened during the cycle, the heating system will shut off and the motor will stop. To restart the cycle, both doors must be closed and the **START** pad must be pressed.

3. When the cycle is complete, open door and remove the laundry.

	WARNING
<p>To prevent the risk of fire, remove laundry immediately in case of power failure.</p>	
W779	

NOTE: This machine includes an anti-wrinkle/extended tumble feature. Two minutes after the cycle ends, the machine enters anti-wrinkle and will tumble without heat for 30 seconds every two minutes for up to an hour or until the door is opened. After an hour, the machine enters extended tumble and will tumble for two minutes every hour for up to 18 hours or until the door is opened.

Ignition Control Operation and Troubleshooting

	WARNING
<p>70482001 and 70482002 controls cannot be serviced by the user. If any control failures are detected, the controls must be replaced by qualified service personnel. Risk of explosion or fire can result if the control module has been opened or with any attempts to repair it and the warranty is void.</p>	
W899	

Before troubleshooting the system, check the following items:

- Verify all mechanical and electrical connections are secure and tight.
- Verify all system wiring is correct.
- Verify there is a proper system ground. The igniter, flame sensor and igniter module must share a common ground with the burner. Nuisance shutdowns are often caused by a poor or erratic ground.
- Verify that the system is powered and that the control is calling for heat.
- If the control proceeds to an error code on the red diagnostic LED, troubleshoot per the Fault conditions table below:

Fault Conditions	
LED Indication	Fault Mode

Table continues...

Troubleshooting

Troubleshooting Guide	
Symptom	Probable Cause
Control in Lockout Mode	Manual reset of the control is needed. Reset by pushing start button on front end control with the service door open (single machines) or with manual programming connector open (stack machines), if applicable (120-200 models do not have a service door).
Control does not start, green LED is off	<ol style="list-style-type: none"> 1. 12 VDC present between 12VDC and ground. If not, see machine schematic. 2. 24 VDC present between TH and ground. If not, see machine schematic.

Table continues...

Fault Conditions	
Off	Normal Operation
1 Flash	At Power Up
2 Flashes	Flame Without Call For Heat
3 Flashes	Ignition Lockout
4 Flashes	Manual Reset Error
Steady On	Internal Control Failure

NOTE: The LED will flash on for 1/4 second, then off for 1/4 second during a fault condition. The pause between fault codes is 3 seconds.

NOTE: Additional diagnostics are available through the control. Refer to appropriate programming manual for more information.

Internal Control Failure

If the control detects an error in its software or hardware, all outputs are turned off and the red LED displays a steady ON condition. If this condition persists after an attempt to restart, then the control must be replaced.

Troubleshooting Guide	
Thermostat on, no spark or valve	<ol style="list-style-type: none"> 1. High voltage cable connects to control and electrode. Voltage present at gas valve. 2. Defective control. Check red LED for steady on or flashing codes.
Valve on, no spark during TFI	<ol style="list-style-type: none"> 1. Shorted electrode. 2. Spark gap not correct. Set to .094-.156 inch. 3. High voltage cable is faulty or has a poor connection. 4. Control failure.
Spark on, no flame	<ol style="list-style-type: none"> 1. Is gas on? 2. 24 VDC at gas valve. 3. Defective control. Check voltage between gas valve and GND on control.
Flame okay during TFI, no flame sense after TFI	<ol style="list-style-type: none"> 1. Check electrode position and cleanliness. 2. Check high voltage cable. 3. Poor ground at burner. 4. Poor flame, check flame current.
Reset failure	Reset pin is shorted to ground. Verify wiring.

Proper Electrode Location

Proper location of the electrode assembly is important for optimal system performance. The electrode assembly should be located so that the tips are inside the flame envelope and about 1/2 inch [1.2 cm] above the base of the flame. Refer to *Figure 7*.

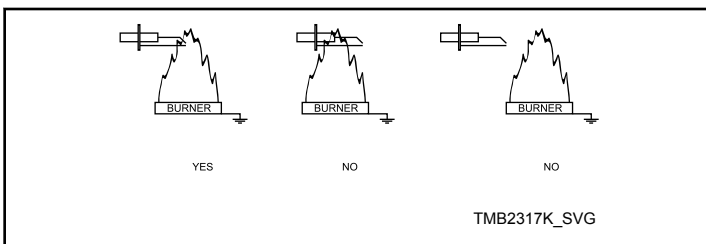


Figure 7

Flame Current Measurement

Flame current is the current that passes through the flame from sensor to ground. To measure flame current, connect a True RMS or analog DC micro-amp meter to the FC+ and the FC- terminals. The reading should be 1.0 micro-amps DC or higher. If the meter reads negative or below “0” on the scale, the meter leads are reversed. Re-connect leads with proper polarity.

Alternately, a Digital Voltmeter may be used to measure the DC voltage between the FC+ and FC- terminals. Each micro-amp of


flame current produces 1.0 VDC, so a reading of 2.6 VDC would equate to 2.6 micro-amps.

A good burner ground that matches the control ground is critical for reliable flame sensing.

Maintenance

Daily

1. Beginning of day:
 - a. Inspect gas supply line for gas leaks.
 - b. Keep machine area clear and free from combustible materials, gasoline and other flammable vapors and liquids.
 - c. Inspect door switch and door catch before starting operation.
 1. Attempt to start machine with door open. Machine should not start with door open.
 2. Close door and start a cycle. Verify that door stays closed.
 3. Open door. Door should open with no more than 15 pounds [1.03 bar] of applied force to the door handle. Cylinder should stop turning when door is opened.
 - d. Inspect outside weather hood to make sure dampers move freely and are not obstructed by any internal or external objects at the exhaust.
 - e. Ensure all guards and panels are properly installed.
2. End of day:
 - a. Clean lint filter to maintain proper airflow and avoid overheating.

	WARNING
<p>To reduce the risk of serious injury, do not open the lint panel while the tumble dryer is in operation. Before cleaning the lint screen, open tumble dryer door and allow cylinder to completely stop.</p>	
W410R1	

- b. Inspect cylinder for foreign objects to avoid damage to clothing and equipment.
- c. Clean dryer drum with an all-purpose cleaner and a damp cloth. **DO NOT LEAVE CLOTHING IN THE TUMBLE DRYER OVERNIGHT.**
- d. Clean machine's exposed surfaces with all-purpose cleaner. **DO NOT** use ammonia-based or vinegar-based cleaners on overlays.

Monthly

1. Inspect electrical connections for looseness. Tighten as required after disconnecting power.
2. Clean electronic controls and coin acceptor of debris, if applicable, and verify ease of operation.
3. Remove lint filter and thoroughly vacuum exhaust duct.


4. Inspect fan, removing any accumulated lint or debris from fan to maintain proper airflow, avoid overheating and prevent vibration.
5. Wash lint screen with hot water and mild detergent to remove fabric softener residue.
6. Inspect door assembly for loose or missing components. Inspect door seal.
7. Inspect steam coil air intake filter, if applicable. Replace if dirty or damaged.
8. **Models equipped with a fire suppression system:** Inspect all inlet hoses for any visible signs of deterioration. Perform the fire suppression system maintenance test by pressing the test button in the control box. Refer to *Fire Suppression System (Optional Equipment) Maintenance Test* for full instructions.


Yearly

1. Remove front panel(s) and cylinder. Remove any accumulated lint from all interior surfaces and cylinder baffles.
2. Inspect seals, rollers, bearings, idler assembly, drive pulley and belt for wear or damage. Replace worn or cracked belts or damaged components as necessary.
3. Remove any accumulated lint or debris from thermistor, cabinet high limit thermostat, stove high limit thermostat(s), including perforated cover, if present. Lint buildup will act as an insulator, causing machine to overheat.
4. Remove any accumulated lint or debris from drive and blower motors.
5. Remove any accumulated lint or debris from burner tubes and orifice area. Remove burner tubes and clean using water and a brush.
6. **Machines equipped with steam coils and/or heat exchanger kit:** Clean the inlet and outlet with a soft brush or clean by using hot water and, if needed, a mild detergent.
7. Remove any accumulated lint or debris from exhaust duct interior to maintain proper airflow to avoid overheating.
 - a. Disconnect external duct and duct access covers, if present.
 - b. Clean inside of duct and make sure all dampers operate freely.
 - c. Reconnect duct and all access covers before returning tumble dryer to operation.
8. **Gas models only:** Inspect burner for soft, uniform blue flame.
 - a. A lazy yellow tipped flame indicates a lack of air.
 - b. A harsh, roaring, very blue flame indicates too much air.
 - c. Adjust air shutter, if present, as necessary.
9. Inspect hardware for any loose nuts, bolts, screws.
10. Ensure all guards and panels are properly installed.

11. Inspect all painted surfaces for bare metal. Replace or repaint if necessary.
12. Run factory test (reference programming manual for procedure details and components tested).
13. Every five years replace belts and fire suppression water inlet hoses (if applicable).

Fire Suppression System (Optional Equipment) Maintenance Test

	WARNING
<p>Electrical shock hazard can cause death or serious injury. To reduce the risk of electric shock, disconnect all electric power to appliance and accessories before servicing.</p>	
W929	

	WARNING
<p>Electrical shock hazard. Can cause death or serious injury. If the water dispensing system is activated do not attempt to operate the dryer. If the water dispensing system is activated have the dryer inspected by a qualified agency before operating the dryer.</p> <ul style="list-style-type: none"> • CALL THE FIRE DEPARTMENT. • DO NOT disconnect electric power to the dryer. • DO NOT disconnect water to the dryer. • DO NOT touch the dryer. 	
W932	

NOTE: Fire suppression system only available on gas and steam models.

NOTE: If the auxiliary alarm output is connected to a separate alarm system, disconnect prior to performing the fire suppression system maintenance test.


To ensure proper operation, the fire suppression system must be tested every month. If the system test does not perform as indicated:

1. Discontinue use of the tumble dryer.
2. Refer to Troubleshooting Manual or contact a qualified service person.
3. Restore the fire suppression system to proper working order before using tumble dryer.

Create a maintenance record with a check box for pass, the date and a signature. Store this record in an area where it will not be damaged, but is easily accessible to person performing tests.

NOTE: Failure to maintain the fire suppression system will void the tumble dryer warranty.

NOTE: The auxiliary output is activated during the fire suppression system maintenance test sequence. Consider this fact prior to testing the system every three months. (Example – If the external system uses the auxiliary output to call the fire department, inform the fire department before and after the fire suppression system maintenance test. If the external system uses the auxiliary output to activate a building sprinkler, disconnect auxiliary output prior to test.)

	CAUTION
<p>Clean up any water spilled during testing to avoid personal injury.</p>	
W487	

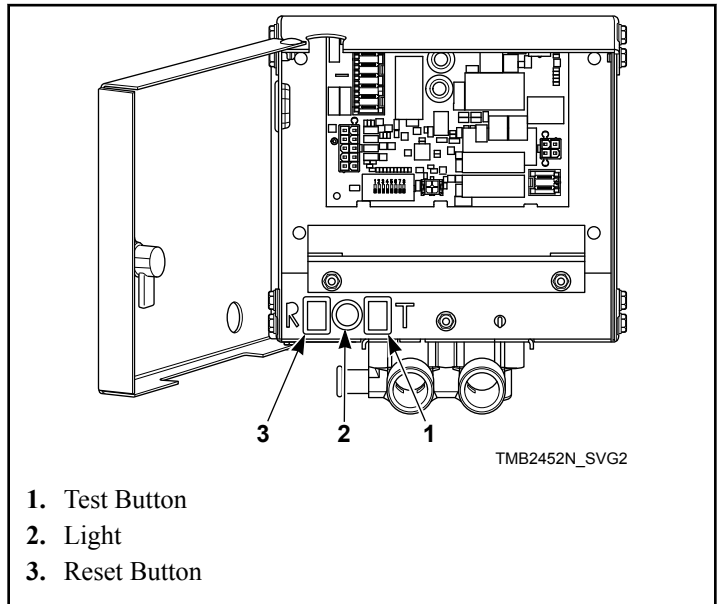


Figure 8

To perform the fire suppression system maintenance test:

1. If the auxiliary alarm output is connected to a separate alarm system, disconnect prior to performing the fire suppression system maintenance test.
2. Remove any lint from the lint compartment.
3. Ensure temperature sensors are free of lint.
4. Place a load of dry towels in the tumble dryer. Refer to *Table 1* for proper load size. Ensure the cylinder baffles are to the left and right of the spray manifold located at the center top of the cylinder.
5. Unlock the fire suppression system control box.
6. Press and hold the test button, verify the light is on, this should take approximately five seconds. Refer to *Figure 8*. After a one-second pause water should begin to spray into the cylinder.

7. After 15 seconds of water spray, press and hold the reset button until water spray is off and light is off. This should take approximately one second. Refer to *Figure 8* and *Figure 9*.
8. Immediately remove and weigh the load. Refer to *Table 1* for acceptable weight range. If less than minimum pounds indicated in *Table 1*, the fire suppression system has failed the maintenance test. Refer to the Troubleshooting Manual.

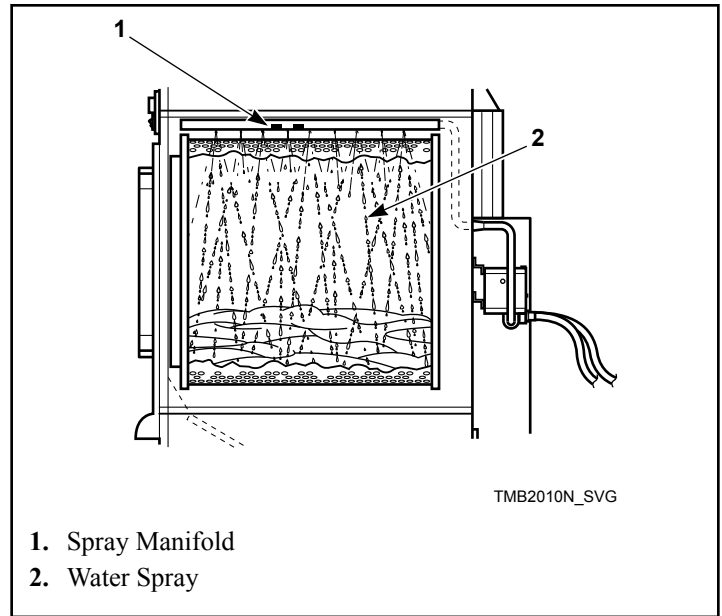
IMPORTANT: If the fire suppression system failed the maintenance test, DO NOT operate the tumble dryer.

	Dry Weight	Wet Weight	Minimum Weight
	lbs. [kg]	lbs. [kg]	lbs. [kg]
25	15 [9]	20-24 [9-11]	18 [8]
30	15 [9]	20-24 [9-11]	18 [8]
35	25 [11]	30-34 [14-15]	28 [13]
55	25 [11]	33-37 [15-17]	31 [14]
50	25 [11]	40-44 [18-20]	35 [16]
75	40 [18]	57-61 [26-28]	52 [24]
120	60 [27]	75-79 [34-36]	70 [32]
170	80 [36]	95-99 [43-45]	90 [41]
200	100 [45]	115-119 [52-54]	110 [50]

Table 1

9. Clean up any water on the floor.
10. Lock the fire suppression system control box.
11. If the separate alarm option is being used, reconnect the auxiliary alarm output.
12. If the cold weather fire suppression system relocation kit (part no. 44340301) is installed on this tumble dryer, purge water out of the lines to prevent freezing. Disconnect at couplers. Refer to instructions provided with kit.

13. Re-condition fire suppression test load by running through a final extract cycle in a washer-extractor to prevent damage to tumble dryer.
14. Load laundry and start the tumble dryer to dry the test load.
15. On maintenance record, check box if fire suppression system passed the test, date and sign record.



1. Spray Manifold
2. Water Spray

Figure 9

Before You Call for Service

Won't Start	Won't Heat	Clothes Not Dry	Possible Reason – Corrective Actions
•			Insert correct coin(s) or valid card if applicable.
•			Close the loading door tightly.
•			Close lint panel tightly.
•			Press the PUSH-TO-START or START pad/button.
•			Be sure power cord is plugged all the way into the electrical outlet and hard or direct wire connections are tight.
•			Check the main fuse and circuit breaker.
•			Check fuses located in the machine.
	•		Insufficient airflow.
	•		Gas shut-off valve in OFF position.
	•		Are controls properly set?
	•		Broken drive belt. Call the service person.
	•	•	Tumble dryer is in Cool Down Mode.
	•	•	Lint screen clogged. Clean lint screen.
	•	•	Exhaust duct to outside is blocked. Clean out.

Removing Tumble Dryer from Service

1. Turn off electrical supply external to machine.
2. Turn off gas supply external to machine.
3. Turn off manual gas shut-off valve on machine.
4. Turn off steam supply external to machine.
5. Remove all electric, gas and steam connections.

Disposal of Unit

This appliance is marked according to the European directive 2002/96/EC on Waste Electrical and Electronic Equipment (WEEE).

This symbol on the product or on its packaging indicates that this product shall not be treated as household waste. Refer to *Figure 10*. Instead it shall be handed over to the applicable collection point for the recycling of electrical and electronic equipment. Ensuring this product is disposed of correctly will help prevent potential negative consequences for the environment and human health which could otherwise be caused by inappropriate waste handling of this product. The recycling of materials will help to conserve natural resources. For more detailed information about recycling of this product, please contact the local city office, household waste disposal service, or the source from which the product was purchased.

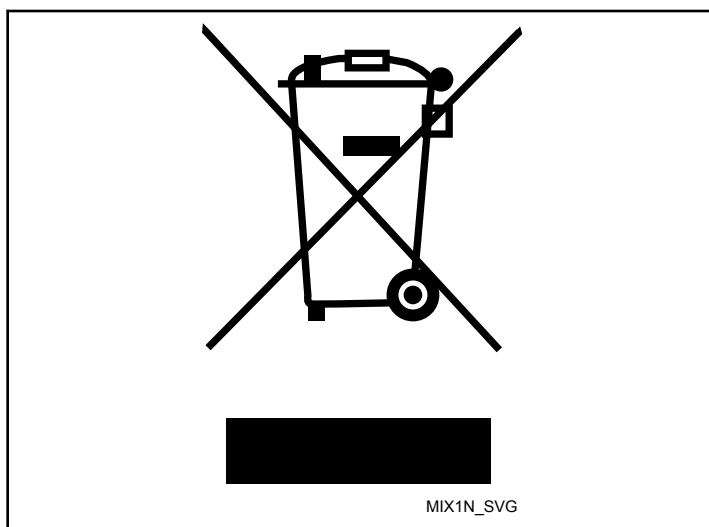


Figure 10