

**COMMERCIAL DRYER
MODEL T-20X2, T-30X2 & T-50X2 VENDED
C-SERIES CONTROL, NATURAL GAS/LP HEATED**



DEXTER.
LAUNDRY

**OPERATOR'S MANUAL
INSTALLATION & OPERATION INSTRUCTIONS**

The dryer must not be stored or installed where it will be exposed to water and/or weather.

**⚠ WARNING:
FIRE OR EXPLOSION HAZARD**

Failure to follow safety warnings exactly could result in serious injury, death or property damage.

- Do not store or use gasoline or other flammable vapors and liquids in the vicinity of this or any other appliance.
- WHAT TO DO IF YOU SMELL GAS
 - Do not try to light any appliance.
 - Do not touch any electrical switch; do not use any phone in your building.
 - Clear the room, building or area of all occupants.
 - Immediately call your gas supplier from a neighbor's phone. Follow the gas supplier's instructions.
 - If you cannot reach your gas supplier, call the fire department.
- Installation and service must be performed by a qualified installer, service agency or the gas supplier.

⚠ AVERTISSEMENT. Assurez-vous de bien suivre les instructions données dans cette notice pour réduire au minimum le risque d'incendie ou d'explosion ou pour éviter tout dommage matériel, toute blessure ou la mort.

- Ne pas entreposer ni utiliser d'essence ni d'autres vapeurs ou liquides inflammables à proximité de cet appareil ou de tout autre appareil.
- QUE FAIRE SI VOUS SENTEZ UNE ODEUR DE GAZ:
 - Ne pas tenter d'allumer d'appareils.
 - Ne touchez à aucun interrupteur. Ne pas vous servir des téléphones se trouvant dans le bâtiment.
 - Évacuez la pièce, le bâtiment ou la zone.
 - Appelez immédiatement votre fournisseur de gaz depuis un voisin. Suivez les instructions du fournisseur.
 - Si vous ne pouvez rejoindre le fournisseur de gaz, appelez le service des incendies.
- L'installation et l'entretien doivent être assurés par un installateur ou un service d'entretien qualifié ou par le fournisseur de gaz.

Post the following **"For Your Safety"** caution in a prominent location:

FOR YOUR SAFETY

Do not store or use gasoline or other flammable vapors or liquids in the vicinity of this or any other appliance.

POUR VOTRE SÉCURITÉ

Ne pas entreposer ni utiliser d'essence ni d'autres vapeurs ou liquides inflammables à proximité de cet appareil ou de tout autre appareil.

It is important that you read this Manual and retain it for future reference. For service or replacement parts, contact the distributor in your area or the manufacturer.

You, the purchaser, must post in a prominent location instructions to be followed in the event the user smells gas. Consult your local gas supplier for procedure to be followed if the odor of gas is present.

FOR YOUR SAFETY

THIS MACHINE IS FOR DRYING ONLY FABRICS CLEANED IN WATER.

To avoid possibility of fire, including spontaneous combustion, do not dry oiled floor mops, items containing foam rubber or similarly textured rubberlike materials or any material on which you have used a cleaning solvent or which contains flammable liquids or solids (such as petrol, kerosene, waxes, etc.) Fabric softeners, or similar products, should be used per the fabric softener instructions. Remove all objects from pockets such as lighters and matches.

This appliance can be used by children aged from 8 years and above and persons with reduced physical, sensory or mental capabilities or lack of experience and knowledge if they have been given supervision or instruction concerning use of the appliance in a safe way and understand the hazards involved. Children shall not play with the appliance. Cleaning and user maintenance shall not be made by children without supervision. Children of less than 3 years should be kept away unless continuously supervised.

Dexter Laundry, Inc.
2211 W. Grimes
Fairfield, Iowa 52556

TABLE OF CONTENTS

	Page No.
Warnings about use and operation	2
Dryer Specifications	3-6
Dryer Dimensions	7-15
Installation Instructions	16
Dryer Shutdown	20
Description of Dryer Control	21
Operating Instructions	21
Programming the Dryer Control	22
Servicing and Troubleshooting	35
Preventative Maintenance Instructions	36
Dual Voltage Conversion Instructions	37

WARNINGS ABOUT USE AND OPERATION

DO NOT MODIFY THIS APPLIANCE. KEEP SHIELDS, GUARDS, AND COVERS IN PLACE. These safety devices are provided to protect everyone from injury.

WARNING: Do not stop dryer before end of cycle time unless all items are quickly removed and spread out to dissipate heat.

It is **ABSOLUTELY ESSENTIAL** that the dryer be grounded to a known earth (zero) ground in accordance with local codes or, in the absence of local codes, with the latest editions of the National Electric Code, ANSI//NFPA 70 or Standard CSA C22.1 Canadian Electrical Code Part 1. This is not only for personal safety, but is necessary for proper operation of the controller. Failure to do so will void the warranty of the controller.

A DRYER SHOULD BE CONNECTED TO POWER FOR THREE (3) MINUTES before it is operated or before a program change is made. Operation or program changes, which occur during this "power up" period, are subject to loss in case of power interruption. After the initial three minutes, all programmed data is protected from power interruptions of any length and the customer's individual cycle is protected up to 3 seconds. This is done without batteries.

LEAVE THE ELECTRICAL POWER TO THE DRYER ON AT ALL TIMES except when necessary for service or other similar activities. The hour meter function adds only full hours to its reading. If the power is shut off every night, any fraction of an hour of time that is on the machine at that time will be lost. Turning the power off every night could also have some effect on the long-term life of the memory after a number of years. Turning power off occasionally won't affect the unit.

THIS DRYER IS EQUIPPED WITH AN OVER-TEMPERATURE THERMOSTAT located on the side of the burner housing for T-30X2 and T-50X2 above the gas valve (located on side of exhaust duct for T-20X2 below burner housing). Should the dryer cease to operate, refer to your "Service Procedure and Parts Data" book for instructions.

CHECK THIS THERMOSTAT WHEN INSTALLING DRYER to assure it is not tripped. Impacts such as rough handling in shipment, may trip the thermostat. It may be reset by inserting a wooden pencil or dowel through the bushing in the cover. Note: there is no cover on the T-20X2 model.

DO NOT SPRAY AEROSOLS IN THE VICINITY OF THIS APPLIANCE while in operation.

THIS APPLIANCE SHALL NOT BE USED TO DRY OFF SOLVENTS OR DRY-CLEANING FLUIDS.

SPECIFICATIONS

20 lb. Commercial Stack Dryer: T-20X2 – DC20X2N_-15EC_X (60 Hz), DC20X2N_-39AC_X (50 Hz)

Cabinet Height	68 1/2"	1740 mm.
(Assumes minimum leveling leg adjustment)		
Cabinet Width	27"	686 mm.
Cabinet Depth	44 5/8"	1133 mm.
Floor to Bottom of Door- Bottom Dryer	8 1/2"	216 mm.
Floor to Bottom of Door- Top Dryer	42"	1067 mm.
Door Opening	18 1/8"	460 mm.
Dry Wt. Capacity	20 x 2 lbs.	9.1 x 2 kg.
Cylinder Diameter	25 1/2"	648 mm.
Cylinder Depth	24"	610 mm.
Cylinder Volume	7.0 cu. ft.	198 liters
Lint Screen Area	285 sq. in.	1839 sq. cm.
Gas Input (per dryer- 60 hz)	56,000 Btu/hr	59MJ/hr (16.4 kW)
Gas Input (per dryer- 50 hz)	47,000 Btu/hr	50MJ/hr (13.8 kW)
Gas Supply Connection	1/2"	12.7 mm.
Natural Gas Supply (Water Column)	5" - 8"	127 mm. - 203 mm./1.25kPa – 1.99kPa
Natural Burner Manifold		
(60 hz Water Column)	3.5"	88.9 mm./0.87kPa
(50 hz Water Column)	3.5"	88.9 mm./0.87kPa
Propane or ULPG Supply (Water Column)	11.5" – 13.5"	292 mm. - 343 mm./2.86kPa - 3.36kPa
Burner Manifold Pressure		
Propane (60 hz Water Column)	11"	279 mm./2.75kPa
Propane or ULPG (50 hz Water Column)	11"	279 mm./2.75kPa
Exhaust Size	8"	203 mm.
Make-up Air	1.0 sq. ft.	929 sq. cm.
Example: 1.0 sq. ft = 1 ft. long X 1 ft. wide		
Motor Size (per dryer)	1/3 H.P.	.248 kW
Airflow (per dryer - 60 hz)	370 CFM	10.5 m ³ /min
Airflow (per dryer - 50 hz)	300 CFM	8.5 m ³ /min

Electrical Specifications - 120/60/1

Voltage/Hz/Phase	120V/60Hz/1Phase
Running Amps	7.8
Circuit Protection Amps	20
Wire Size	12 gauge
Electrical Service	2 wire + ground

Electrical Specifications - 208-240/60/1

Voltage/Hz/Phase	208-240V/60Hz/1Phase
Running Amps	3.8
Circuit Protection Amps	15
Wire Size	12 gauge
Electrical Service	2 wire + ground

Electrical Specifications - 230/50/1

Voltage/Hz/Phase	230V/50Hz/1Phase
Running Amps	6.6
Circuit Protection Amps	15
Wire Size	12 gauge
Electrical Service	2 wire + ground

Shipping Weight	650 lbs.	295 kg.
Net Weight	615 lbs.	279 kg.
Clearance Behind Machines (min.)	18"	457 mm.

SPECIFICATIONS

30 lb. Commercial Stack Dryer: T-30X2 - DC30X2N_-15EC_X (60 Hz), DC30X2N_-39AC_X (50 Hz)

Cabinet Height	76 1/4"	1937 mm.
(Assumes minimum leveling leg adjustment)		
Cabinet Width	31 1/2"	800 mm.
Cabinet Depth	49 1/2"	1257 mm.
Floor to Bottom of Door- Bottom Dryer	7 5/8"	194 mm.
Floor to Bottom of Door- Top Dryer	45 1/4"	1149 mm.
Door Opening	22 5/8"	575 mm.
Dry Wt. Capacity	30 x 2 lbs.	13.6 x 2 kg.
Cylinder Diameter	30"	762 mm.
Cylinder Depth	27 1/2"	699 mm.
Cylinder Volume	11.25 cu. ft.	319 liters
Lint Screen Area	453 sq. in.	2923 sq. cm.
Gas Input (per dryer- 60 hz)	90,000 Btu/hr	95MJ/hr (26.4 kW)
Gas Input (per dryer- 50 hz)	74,000 Btu/hr	78MJ/hr (21.7 kW)
Gas Supply Connection	1/2"	12.7 mm.
Natural Gas Supply (Water Column)	5" - 8"	127 mm. - 203 mm./1.25kPa – 1.99kPa
Natural Burner Manifold		
(60 hz Water Column)	3.5"	88.9 mm./0.87kPa
(50 hz Water Column)	3.4"	86.4 mm./0.84kPa
Propane or ULPG Supply (Water Column)	11.5" – 13.5"	292 mm. - 343 mm./2.86kPa - 3.36kPa
Burner Manifold Pressure		
Propane (60 hz Water Column)	11"	279 mm./2.75kPa
Propane or ULPG (50 hz Water Column)	10"	254 mm./2.50kPa
Exhaust Size	8"	203 mm.
Make-up Air	1.5 sq. ft.	1394 sq. cm.
Example: 1.5 sq. ft = 1 ft. long X 1.5 ft. wide		
Motor Size	1/2 H.P.	.373 kW
Airflow (60 hz)	600 CFM	17.0 m ³ /min
Airflow (50 hz)	500 CFM	14.2 m ³ /min

Electrical Specifications - 120/60/1

Voltage/Hz/Phase	120V/60Hz/1Phase
Running Amps	8.0
Circuit Protection Amps	20
Wire Size	12 gauge
Electrical Service	2 wire + ground

Electrical Specifications - 208-240/60/1

Voltage/Hz/Phase	208-240V/60Hz/1Phase
Running Amps	5.0
Circuit Protection Amps	15
Wire Size	12 gauge
Electrical Service	2 wire + ground

Electrical Specifications - 230/50/1

Voltage/Hz/Phase	230V/50Hz/1Phase
Running Amps	10.0
Circuit Protection Amps	15
Wire Size	12 gauge
Electrical Service	2 wire + ground

Shipping Weight	750 lbs.	340 kg.
Net Weight	699 lbs.	317 kg.
Clearance Behind Machines (min.)	18"	457 mm.

SPECIFICATIONS

50 lb. Commercial Stack Dryer: T-50X2 – DC50X2N_-15EC_X (60 Hz), DC50X2N_-49AC_X (50 Hz)

Cabinet Height	79 1/4"	2012 mm.
(Assumes minimum leveling leg adjustment)		
Cabinet Width	34 1/2"	876 mm.
Cabinet Depth	54 3/4"	1391 mm.
Floor to Bottom of Door- Bottom Dryer	7"	178 mm.
Floor to Bottom of Door- Top Dryer	46"	1168 mm.
Door Opening	25 5/8"	651 mm.
Dry Wt. Capacity	50 x 2 lbs.	22.7 x 2 kg.
Cylinder Diameter	32 1/2"	826 mm.
Cylinder Depth	33"	838 mm.
Cylinder Volume	15.84 cu. ft.	448 liters
Lint Screen Area	544 sq. in.	3510 sq. cm.
Gas Input (per dryer- 60 hz)	108,000 Btu/hr	114MJ/hr (31.7 kW)
Gas Input (per dryer- 50 hz)	96,500 Btu/hr	102MJ/hr (28.3 kW)
Gas Supply Connection	1/2"	12.7 mm.
Natural Gas Supply (Water Column)	5" - 8"	127 mm. - 203 mm./1.25kPa – 1.99kPa
Natural Burner Manifold		
(60 hz Water Column)	3.5"	88.9 mm./0.87kPa
(50 hz Water Column)	3.5"	88.9 mm./0.87kPa
Propane or ULPG Supply (Water Column)	11.5" – 13.5"	292 mm. - 343 mm./2.86kPa - 3.36kPa
Burner Manifold Pressure		
Propane (60 hz Water Column)	11"	279 mm./2.75kPa
Propane or ULPG (50 hz Water Column)	10"	254 mm./2.40kPa
Exhaust Size	8"	203 mm.
Make-up Air	1.5 sq. ft.	1394 sq. cm.
Example: 1.5 sq. ft = 1 ft. long X 1.5 ft. wide		
Motor Size	3/4 H.P.	0.560 kW
Airflow (60 Hz)	650 CFM	18.4 m ³ /min
Airflow (50 hz)	510 CFM	14.4 m ³ /min

Electrical Specifications - 120/60/1

Voltage/Hz/Phase	120V/60Hz/1Phase
Running Amps	20.0
Circuit Protection Amps	30
Wire Size	10 gauge
Electrical Service	2 wire + ground

Electrical Specifications - 208-240/60/1

Voltage/Hz/Phase	208-240V/60Hz/1Phase
Running Amps	10.0
Circuit Protection Amps	20
Wire Size	12 gauge
Electrical Service	2 wire + ground

Electrical Specifications - 240/50/1

Voltage/Hz/Phase	240V/50Hz/1Phase
Running Amps	10.0
Circuit Protection Amps	20
Wire Size	12 gauge
Electrical Service	2 wire + ground

Shipping Weight	917 lbs.	416 kg.
Net Weight	857 lbs.	389 kg.
Clearance Behind Machines (min.)	18"	457 mm.

SPECIFICATIONS

50 lb. Commercial Stack Dryer: T-50x2 Reversing Tumbler DC50X2N_-11EC2R (60 Hz), DC50X2N_-49AC2R (50 Hz)

Cabinet Height	79 1/4"	2012 mm.
(Assumes minimum leveling leg adjustment)		
Cabinet Width	34 1/2"	876 mm.
Cabinet Depth	54 3/4"	1391 mm.
Floor to Bottom of Door- Bottom Dryer	7"	178 mm.
Floor to Bottom of Door- Top Dryer	46"	1168 mm.
Door Opening	25 5/8"	651 mm.
Dry Wt. Capacity	50 x 2 lbs.	22.7 x 2 kg.
Cylinder Diameter	32 1/2"	826 mm.
Cylinder Depth	33"	838 mm.
Cylinder Volume	15.84 cu. ft.	448 liters
Lint Screen Area	544 sq. in.	3510 sq. cm.
Gas Input (per dryer- 60 hz)	108,000 Btu/hr	114MJ/hr (31.7 kW)
Gas Input (per dryer- 50 hz)	96,500 Btu/hr	102MJ/hr (28.3 kW)
Gas Supply Connection	1/2"	12.7 mm.
Natural Gas Supply (Water Column)	5" - 8"	127 mm. - 203 mm./1.25kPa - 1.99kPa
Natural Burner Manifold		
(60 hz Water Column)	3.5"	88.9 mm./0.87kPa
(50 hz Water Column)	3.5"	88.9 mm./0.87kPa
Propane or ULPG Supply (Water Column)	11.5" - 13.5"	292 mm. - 343 mm./2.86kPa - 3.36kPa
Burner Manifold Pressure		
Propane (60 hz Water Column)	11"	279 mm./2.75kPa
Propane or ULPG (50 hz Water Column)	10"	254 mm./2.40kPa
Exhaust Size	8"	203 mm.
Make-up Air	1.5 sq. ft.	1394 sq. cm.
Example: 1.5 sq. ft = 1 ft. long X 1.5 ft. wide		
Motor Sizes	1/2 & 2 H.P.	.373 & 1.492 kW
Airflow (60 Hz)	650 CFM	18.4 m ³ /min
Airflow (50 hz)	510 CFM	14.4 m ³ /min

Electrical Specifications – 208-240/60/1

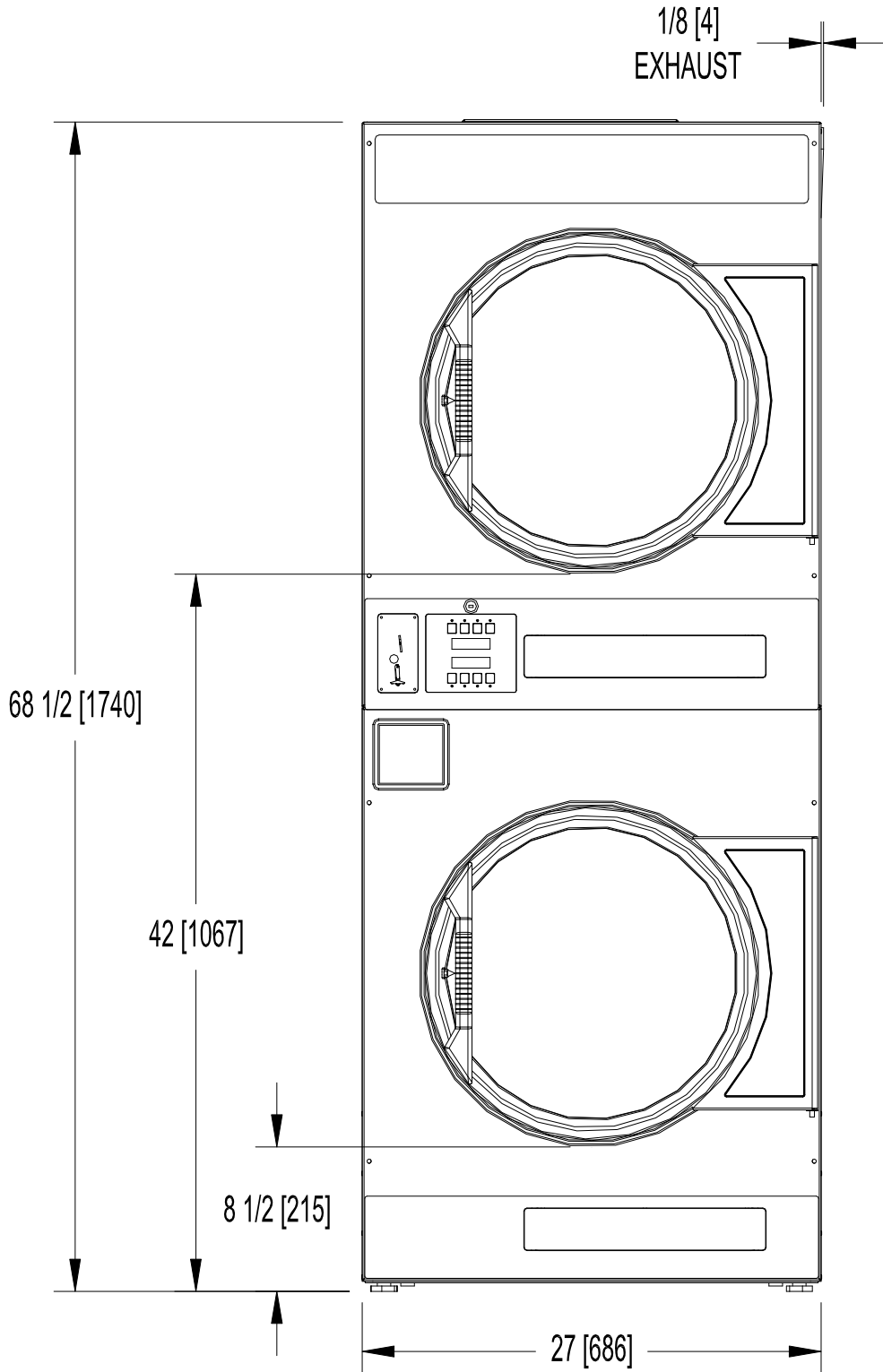
Voltage/Hz/Phase	208-240V/60Hz/1Phase
Running Amps	15
Circuit Protection Amps	20
Wire Size	12 gauge
Electrical Service	2 wire + ground

Electrical Specifications – 240/50/1

Voltage/Hz/Phase	240V/50Hz/1Phase
Running Amps	15
Circuit Protection Amps	20
Wire Size	3.5 mm ²
Electrical Service	2 wire + ground

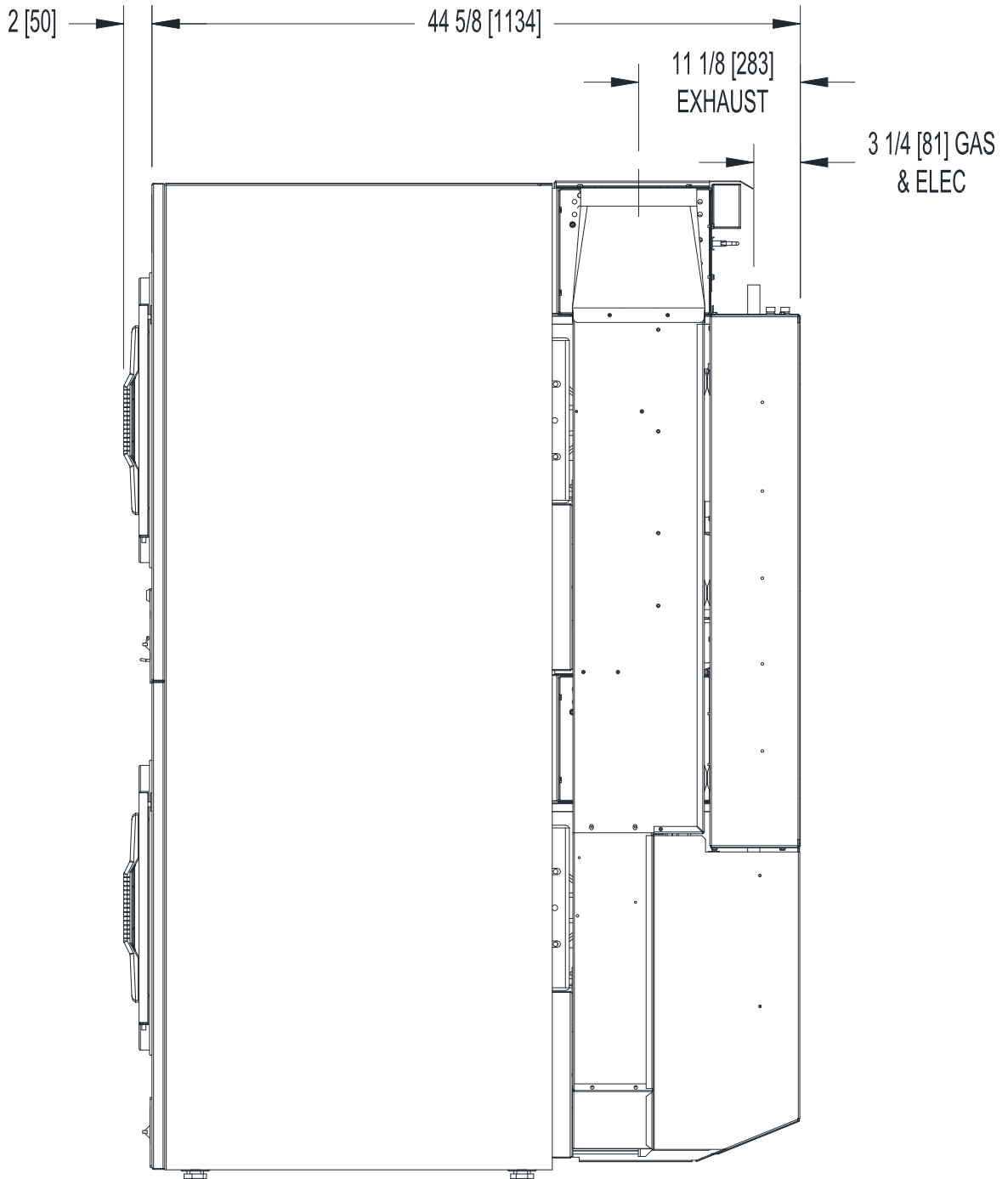
Shipping Weight	917 lbs.	416 kg.
Net Weight	857 lbs.	389 kg.
Clearance Behind Machines (min.)	18"	457 mm.

T-20X2 DRYER DIMENSIONS - FRONT VIEW



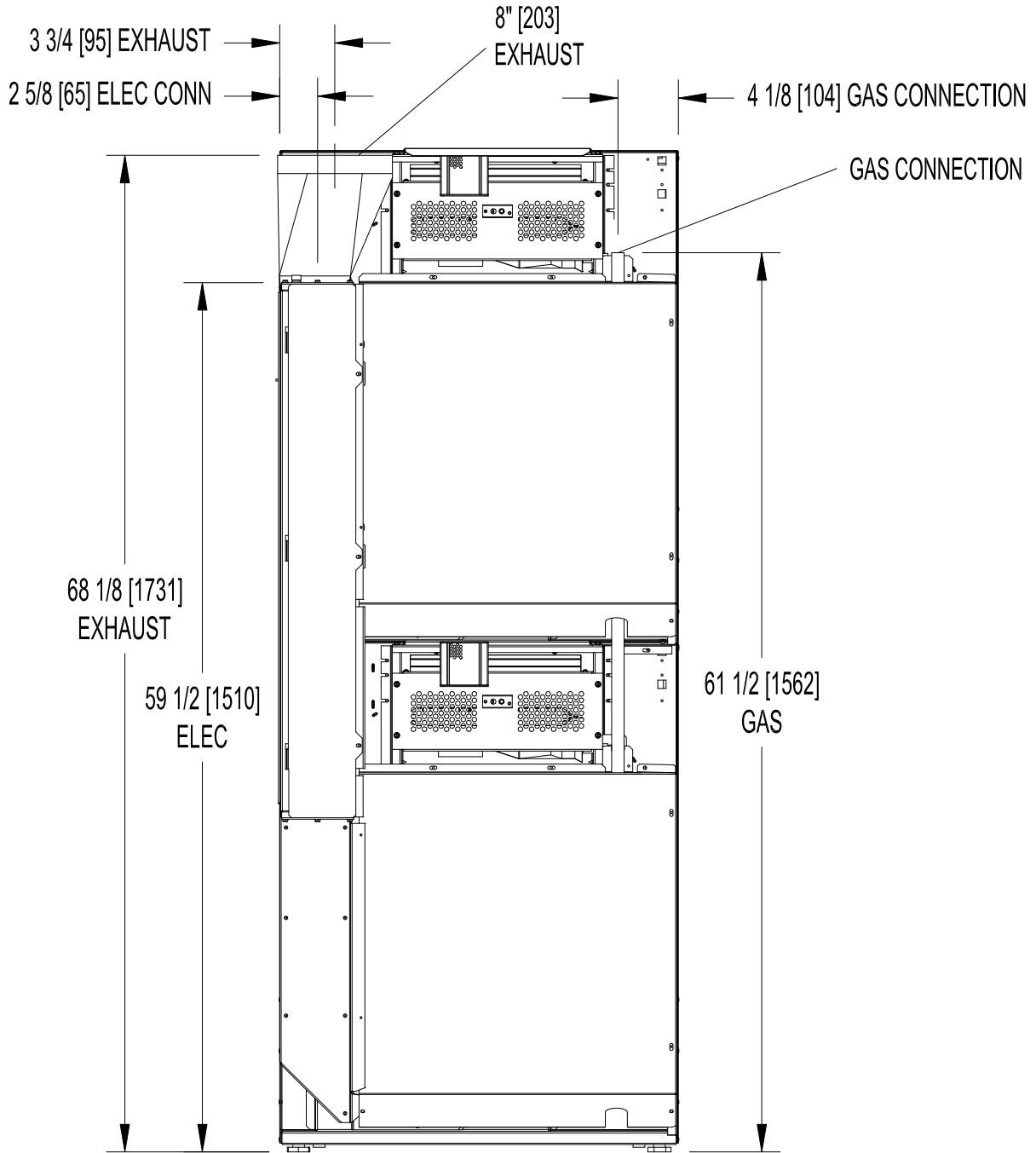
DIMENSIONS ARE IN INCHES [MILLIMETERS]

T-20X2 DRYER DIMENSIONS - SIDE VIEW



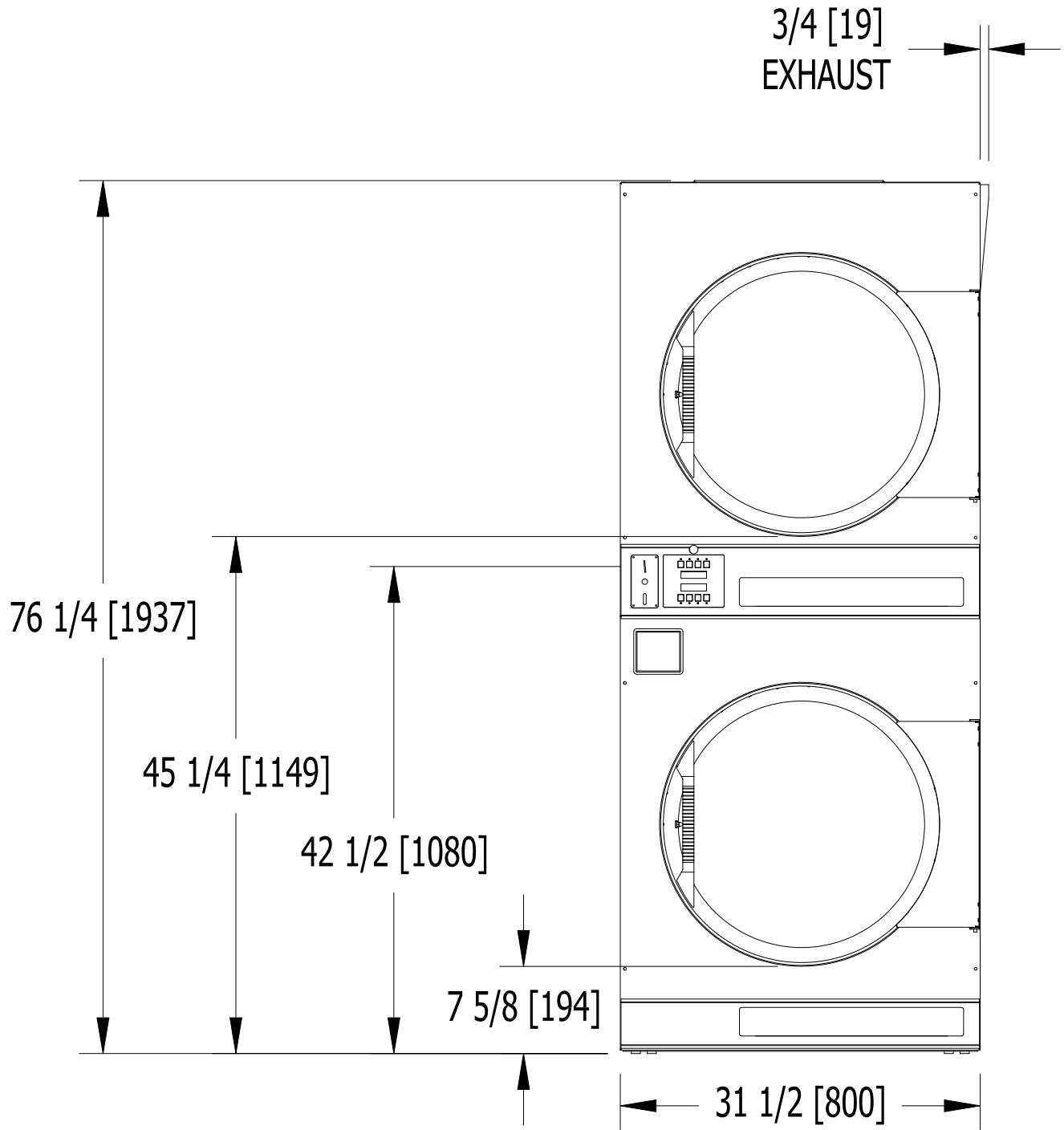
DIMENSIONS ARE IN INCHES [MILLIMETERS]

T-20X2 DRYER DIMENSIONS - REAR VIEW



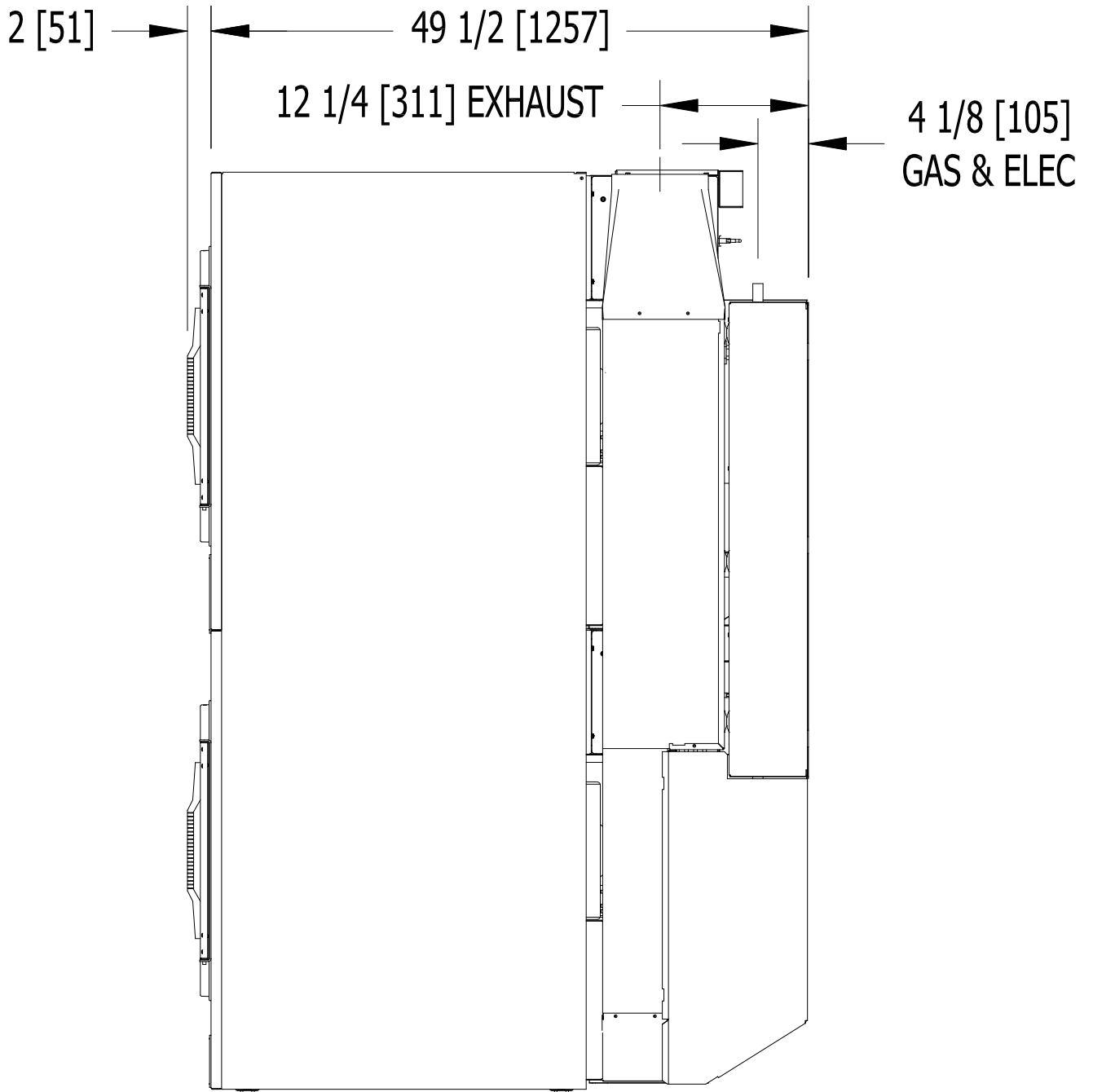
DIMENSIONS ARE IN INCHES [MILLIMETERS]

T-30X2 DRYER DIMENSIONS - FRONT VIEW



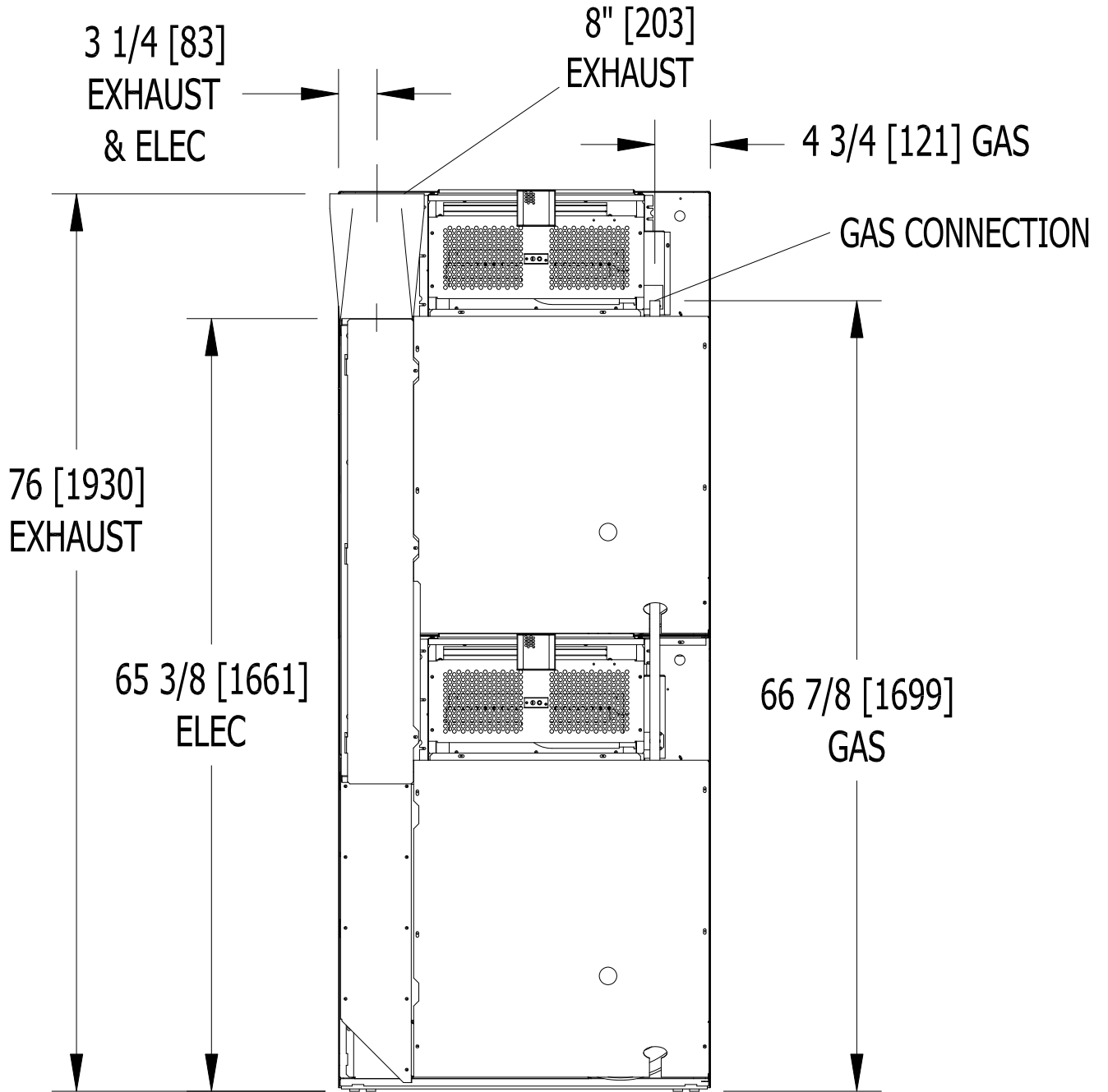
DIMENSIONS ARE IN INCHES [MILLIMETERS]

T-30X2 DRYER DIMENSIONS - SIDE VIEW



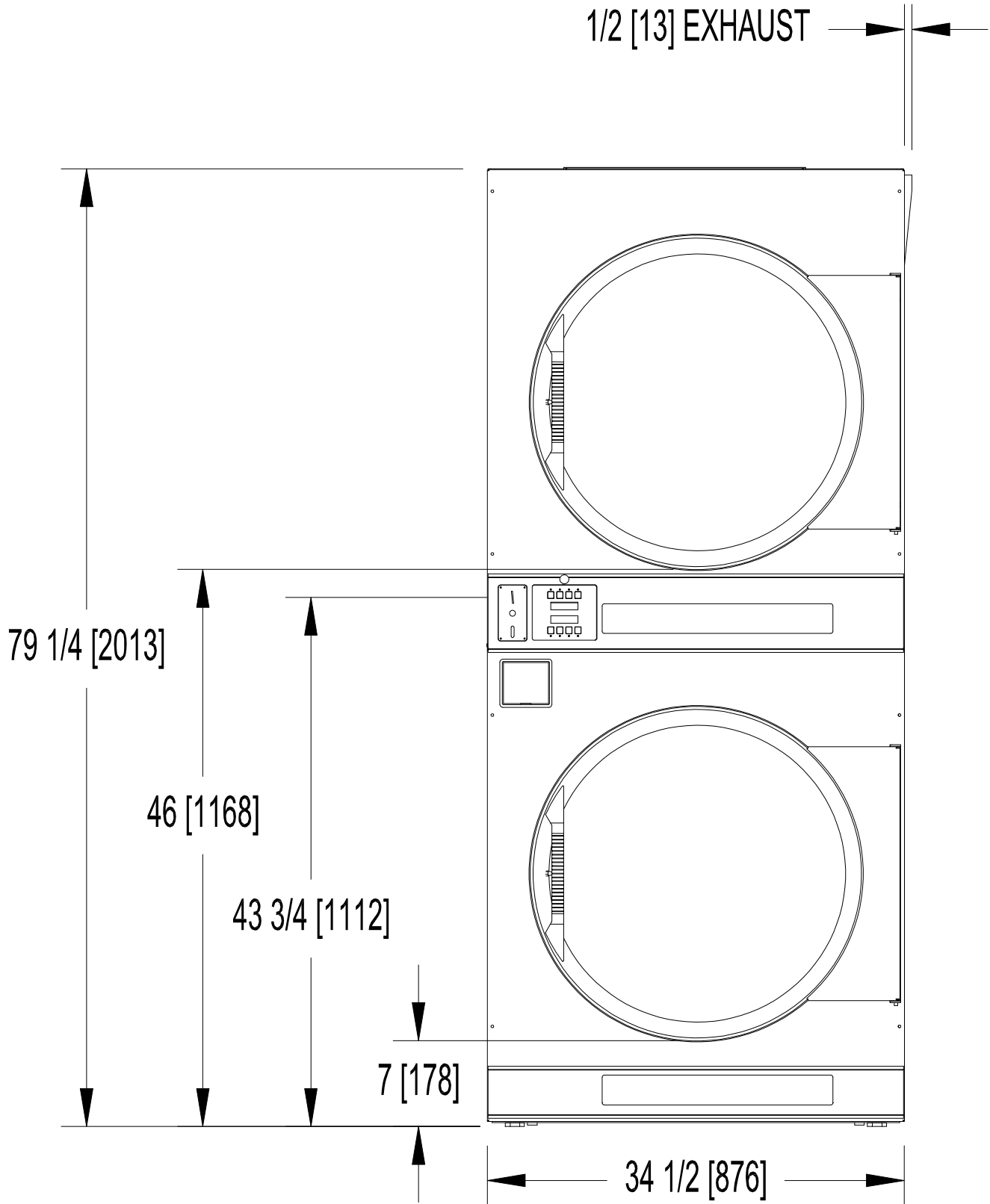
DIMENSIONS ARE IN INCHES [MILLIMETERS]

T-30X2 DRYER DIMENSIONS - REAR VIEW



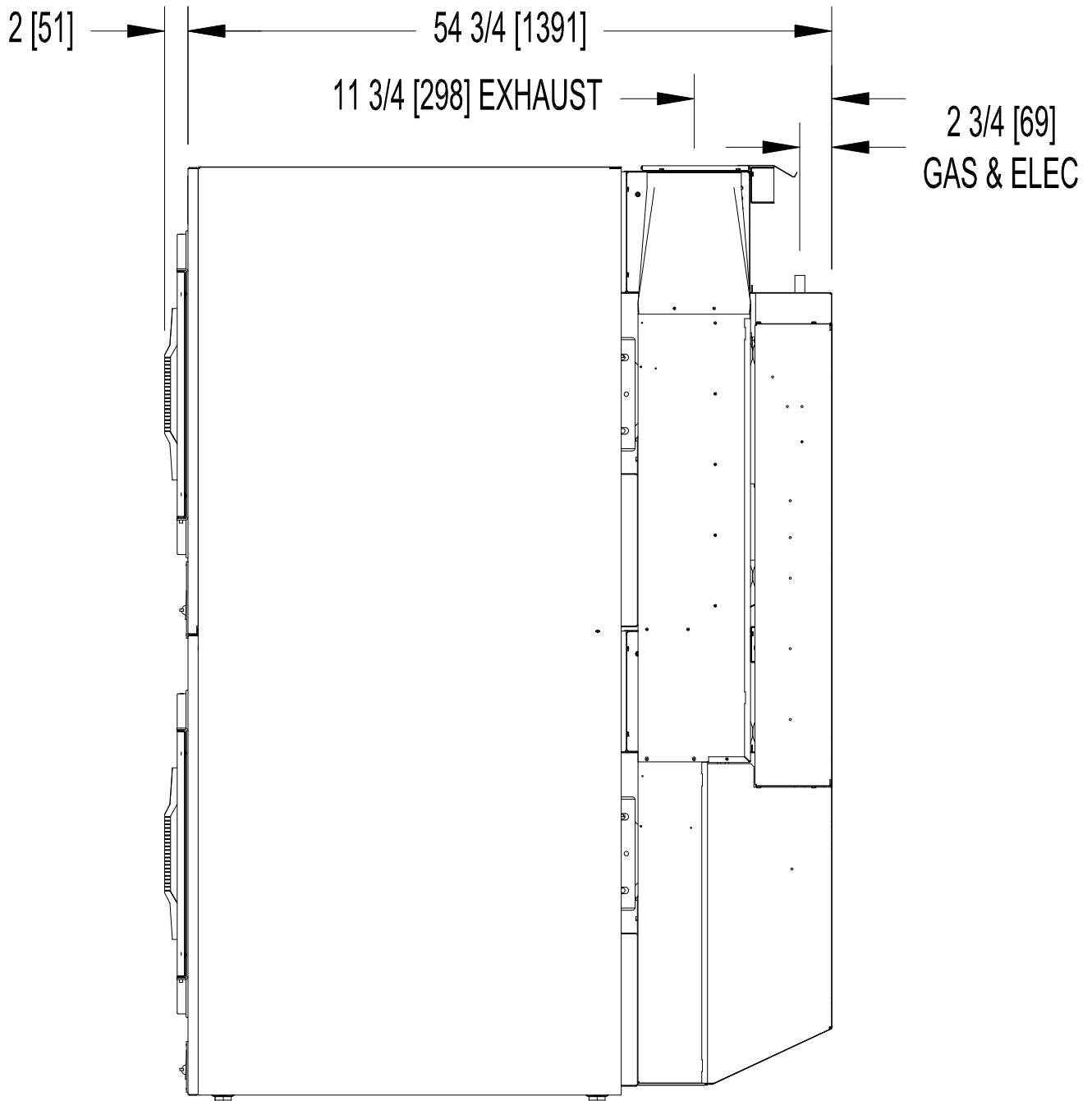
DIMENSIONS ARE IN INCHES [MILLIMETERS]

T-50X2 DRYER DIMENSIONS- FRONT VIEW



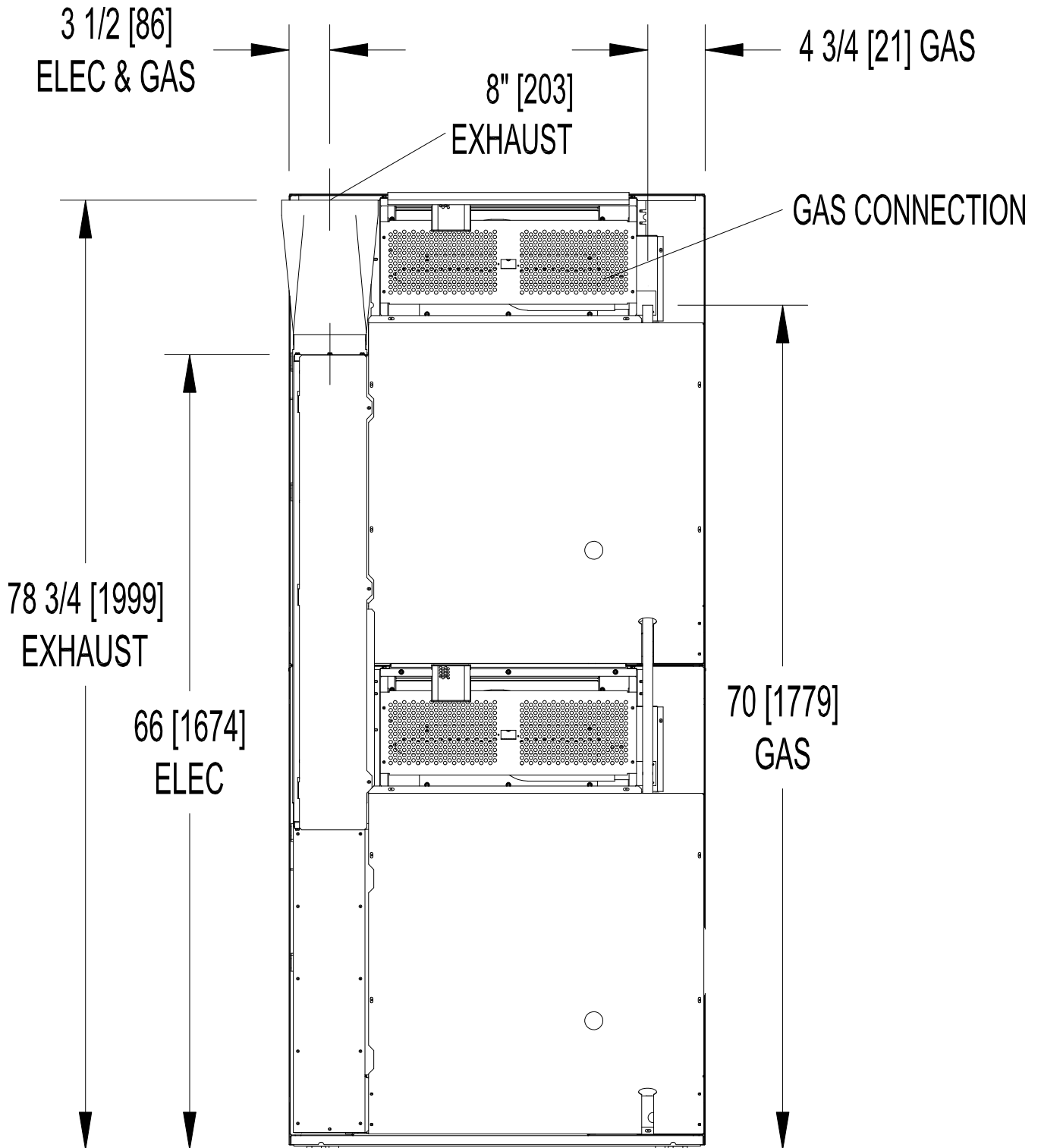
DIMENSIONS ARE IN INCHES [MILLIMETERS]

T-50X2 DRYER DIMENSIONS - SIDE VIEW



DIMENSIONS ARE IN INCHES [MILLIMETERS]

T-50X2 DRYER DIMENSIONS - REAR VIEW



DIMENSIONS ARE IN INCHES [MILLIMETERS]

INSTALLATION INSTRUCTIONS

UNCRATING AND PLACING DRYER

Tools Required: 3/4" (19 mm) hex socket & ratchet driver, wood block 4" (100 mm) or 5" (125 mm) thick, a knife and a groove joint pliers, which will open to 1 3/8" (35 mm).

1. Remove and discard packaging.
2. The crate base is attached to the dryer by (4) cap screws driven upward from below the crate base. Remove crate base from dryer, by tipping dryer sidewise and place block under crate base rail in center of dryer. Using a ratchet and 3/4" hex socket, remove and discard (2) crating bolts from side, which is raised. Remove block from under crate base. Repeat for other side. Save the bolts for use if the dryer is ever moved again.
3. With a walking motion move dryer completely off crate base. Save the crate base for use if the dryer is ever moved again.
4. Slide unit into position where it will be installed. Adjust leveling legs, using the groove joint pliers, to level and align dryer with adjacent units.

Note: If the dryer is ever moved again, the dryer should be re-mounted on its crate base and its crating bolts re-inserted and tightened, in the reverse order as above.

DRYER INSTALLATION

1. **CODE CONFORMITY:** All commercial dryer installations must conform with local codes, or in the absence of local codes, with the latest edition of the National Fuel Gas Code ANSI Z223.1. Canadian installations must comply with the current Standard CAN/CGA-B149 (.1 or .2) Installation Code for Gas Burning Appliances or Equipment, and local codes if applicable. Australian installations must meet installation requirements and pipe sizing requirements of AS/NZA 5601. The appliance, when installed, must be electrically grounded in accordance with the latest edition of the National Electric Code, ANSI/NFPA70, or, when installed in Canada, with Standard CSA C22.1 Canadian Electrical Code Part 1.

The appliance must not be installed behind a lockable door, a sliding door or a door with a hinge on the opposite side to that of the tumble dryer, in such a way that a full opening of the tumble dryer door is restricted.

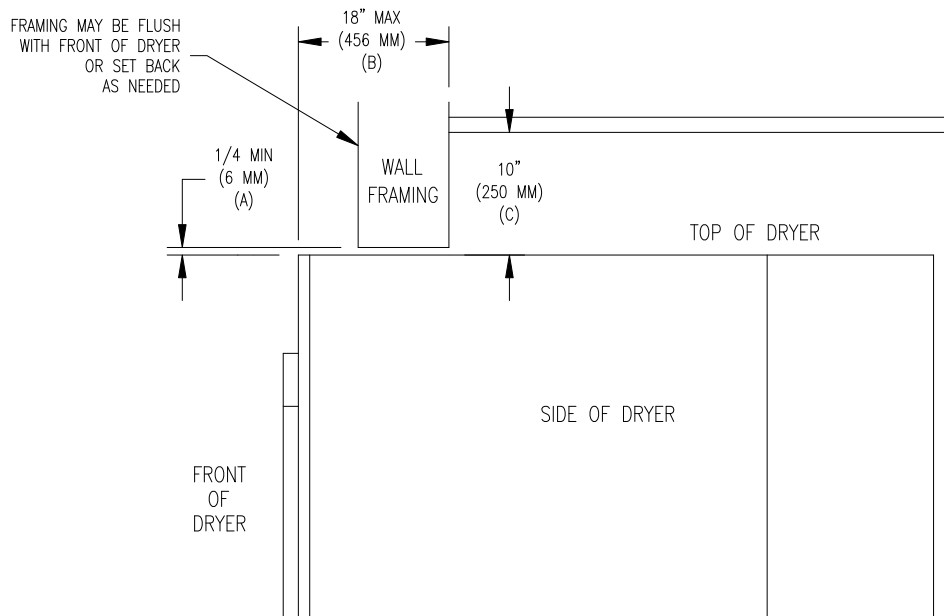
2. **INSTALLATION CLEARANCES:** This unit may be installed at the following alcove clearances:
 - I. Left Side 0"
 - II. Right Side 0"
 - III. Back 18" (457 mm) (Certified for 1" (25 mm) clearance; however, 18" (457 mm) clearance is necessary behind the motors to allow servicing and maintenance.)
 - IV. Front 48" (1220 mm) (to allow use of dryer)
 - V. Top Refer to figure labeled "Vertical Clearance Dimensions".
 - AB. Certification allows 0" clearance for wall framing at the top up to 18" (456 mm) back from the front.
However, a 1/4" (6 mm) clearance should be allowed in case the dryer needs moving.
 - C. A 10" (250 mm) clearance is required from top at all other points.
 - VI. Floor This unit may be installed upon a combustible floor.

Do not obstruct the flow of combustion and ventilation air.

Maintain minimum of 1" (25 mm) clearance between duct and combustible material.

Refer to the label attached to the Belt Guard on the rear of the dryer for other installation information and start-up instructions.

3. **MAKE-UP AIR:** Adequate make-up air must be supplied to replace air exhausted by dryers on all types of installations. Refer to specifications for the minimum amount of make-up air opening to outside for each dryer. This is a net requirement of effective area. Screens, grills or louvers, which will restrict the flow of air, must be considered. Consult the supplier to determine the free area equivalent for the grill being used. The source of make-up air should be located sufficiently away from the dryers to allow an even airflow to the air intakes of all dryers. Multiple openings should be provided.



Vertical Clearance Dimensions

The sources of all make-up air and room ventilation air movement to all dryers must be located away from any dry cleaners. This is necessary so that solvent vapors will not be drawn into the dryer inlet ducts. Dry cleaner solvent vapors will decompose in contact with open flame such as the gas flame present in clothes dryers. The decomposition products are highly corrosive and will cause damage to the dryer(s) ducts and clothes loads.

The operation of this appliance may affect the operation of other types of gas appliances, which take their air for safe combustion from the same room. Adequate ventilation must be provided to avoid back flow of gasses from other appliances in the same room. All other gas appliances should be tested with the Dexter dryer in operation and all the windows and doors closed. If in doubt consult the appliance manufacturer(s).

4. **ELECTRICAL REQUIREMENTS.** The electrical power requirements necessary to operate the unit satisfactorily are listed on the serial plate located on the back panel of each dryer and in the specifications section of this manual. The electrical connection should be made to the terminal board, on the rear of the unit. It is absolutely necessary that the dryer be grounded to a known ground. Individual circuit breakers for each stacked dryer are required. Dryer -15 models are adjusted for 120V as shipped. They can be converted to 208-240V as required. Instructions for this conversion are located at this end of this manual.

The installer must provide a disconnect switch which will interrupt both lines. It may be a local or national requirement to provide an electrical interruption switch visible and accessible from the room in which the dryer is installed. The wiring diagram is located on the back of the door of the rear control box assembly of the dryer.

IMPORTANT: TRANSIENT VOLTAGE SURGE SUPPRESSORS

Like most electrical equipment, your new machine can be damaged or have its life shortened by voltage surges due to lightning strikes which are not covered by factory warranty. Local power distribution problems also can be detrimental to the life of electrical components. We recommend the installation of transient voltage surge suppressors for your new equipment. These devices may be placed at the power supply panel for the complete installation and don't require an individual device for each machine.

These surge protectors help to protect equipment from large spikes and also from small ongoing spikes in the power that occur on a day to day basis. These smaller surges can shorten overall life of electrical components of all types and cause their failure at a later date. Although they can't protect against all events, these protective devices have a good reputation for significantly lengthening the useful life of

electronic components. Electronic components are helped to have a longer useful life when they are supplied with the clean stable electrical power they like.

We are including the following names and phone numbers of a few suppliers of these devices for those who don't currently have a source.

<u>MANUFACTURER</u>	<u>CONTACT</u>	<u>PHONE</u>
Innovative Technology, Inc	Factory	1-800-647-8877 or www.itvss.com
EFI Electronics Corporation	Factory Distributor – Surge Pro	1-800-877-1174 or www.efinet.com 1-877-233-0153
MCG Surge Protection	Factory	1-800-851-1508 or www.mcgsurge.com
Advanced Protection Technologies Inc.	Factory	1-800-237-4567 or info@aptvss.com

5. **GAS REQUIREMENTS.** The complete gas requirements necessary to operate the dryer satisfactorily are listed on the serial plate located on the back panel of the dryer and in the specifications section of this manual. The inlet gas connection to the unit is 1/2-inch [12.7] pipe thread. However, the size of the piping to supply the dryer should be determined by reference to the National Fuel Gas Code ANSI Z223.1A and consultation with the local gas supplier.

An individual gas shutoff valve is recommended for each dryer and may be required by local code (not supplied).

A joint compound resistant to the action of liquefied petroleum gases should be employed in making pipe connections.

All pipe connections should be checked for leakage with soap solution. Never check with an open flame.

A drip tee should be provided in the gas piping entering the unit to catch dirt and other foreign articles.

A 1/8 inch [3.2] NPT threaded test port, accessible for test gage connection, must be installed immediately upstream of the gas supply connection to the dryer to check the supply pressure. Test and adjust the supply pressure to ensure compliance with the specification listed on the serial plate.

The recommended natural gas supply pressure is 7 inches water column (17.8 cm) at each dryer.

There is a plugged 1/8 inch [3.2] NPT threaded test port in the end of the burner manifold for checking the manifold pressure. With the burner in operation, check and adjust the dryer's gas control valve to ensure compliance with the specification listed on the serial plate for manifold pressure.

After testing, be sure to replace the 1/8 inch [3.2] NPT plugs in the manifold and in the supply line test port using joint compound before operating the dryer.

For altitudes above 2,000 feet (610m), it is necessary to derate the BTU input. Contact your local distributor for instructions.

L.P. gas conversion kits are available for this dryer. Contact your local distributor.

CAUTION: The dryer must be disconnected from the gas supply piping system during any pressure testing of that system. Do not expose the dryer's gas control valve to testing pressure.

6. **EXHAUST INSTALLATION.** Exhausting of the dryer(s) should be planned and constructed so that no air restrictions occur. Any restriction due to pipe size or type of installation can cause slow drying time, excessive heat, and lint in the room.

From an operational standpoint, incorrect or inadequate exhausting can cause a cycling of the high limit thermostat, which shuts off the main burners and results in inefficient drying.

The exhaust duct connection near the top of the dryer will accept an 8" (200 mm) round duct. Individual exhausting of the dryers is recommended. All heat, moisture, and lint should be exhausted outside by attaching a pipe of the proper diameter to the dryer adapter collars and extending it out through an outside wall. This pipe must be very smooth on the inside, as rough surfaces tend to collect lint, which will eventually clog the duct and prevent the dryer from exhausting properly. All elbows must be smooth on the inside. All joints must be made so the exhaust end of one pipe is inside the next one downstream. The addition of an exhaust pipe tends to reduce the amount of air the blower can exhaust. This does not affect the dryer operation if held within practical limits. For the most efficient operation, it is recommended that no more than 14 ft. (4.25 m) of straight 8 in. diameter pipe with two right angle elbows be used for each cylinder.

Maintain a minimum of 1" (25mm) clearance between duct and combustible material.

If the exhaust pipe passes through a wall, a metal sleeve of slightly larger diameter should be set in the wall and the exhaust pipe passed through this sleeve. This practice is required by some local codes and is recommended in all cases to protect the wall.

This type of installation should have a means provided to prevent rain and high winds from entering the exhaust when the dryer is not in use. A hood with a hinged damper can be used for this purpose. Another method would be to point the outlet end of the pipe downward to prevent entrance of wind and rain. In either case, the outlet should be kept clear, by at least 24 in. (610 mm) of any objects, which would cause air restriction.

Never install a protective screen over the exhaust outlet.

When exhausting a dryer straight up through a roof, the overall length of the duct has the same limits as exhausting through a wall. A rain cap must be placed on top of the exhaust and must be of such a type as to be free from clogging. The type using a cone shaped "roof" over the pipe is suitable for this application.

Exhausting the dryer into a chimney or under a building is not permitted. In either case there is a danger of lint buildup, which can be highly combustible.

NOTE: Exhaust air must not be discharged into a flue which is used for exhausting fumes from appliances burning gas or other fuels.

Installation of several dryers, where a main discharge duct is necessary, will need the following considerations for installation (see Figure 3). Individual 8" (200 mm) exhaust ducts from each dryer should enter main discharge duct at a 45-degree angle in the direction of discharge airflow.

NOTE: Never install the individual ducts at a right angle into the main discharge duct. The individual ducts from the dryers can enter at the sides or bottom of the main discharge duct. Figure 3 indicates the various round main duct diameters to use with the individual dryer ducts. The main duct can be rectangular or round, provided adequate airflow is maintained. The total exhausting (main discharge duct plus duct outlet from the dryer) should not exceed the equivalent of 14 ft. (4.25 m) and two elbows. The diameter of the main discharge duct at the last dryer must be maintained to exhaust end.

NOTE: A small diameter duct will restrict airflow; a large diameter duct will reduce air velocity - both contributing to lint build up. An inspection door should be provided for periodic clean out of the main duct.

NOTE: STATIC BACK PRESSURE should be a maximum of 0.3 in. w.c. (7.6 mm w.c.) at the rear exhaust outlet of the dryer. If multiple dryers are connected to the common duct, ensure the back draft damper is installed properly.

DIAMETER TO INCREASE AS SHOWN

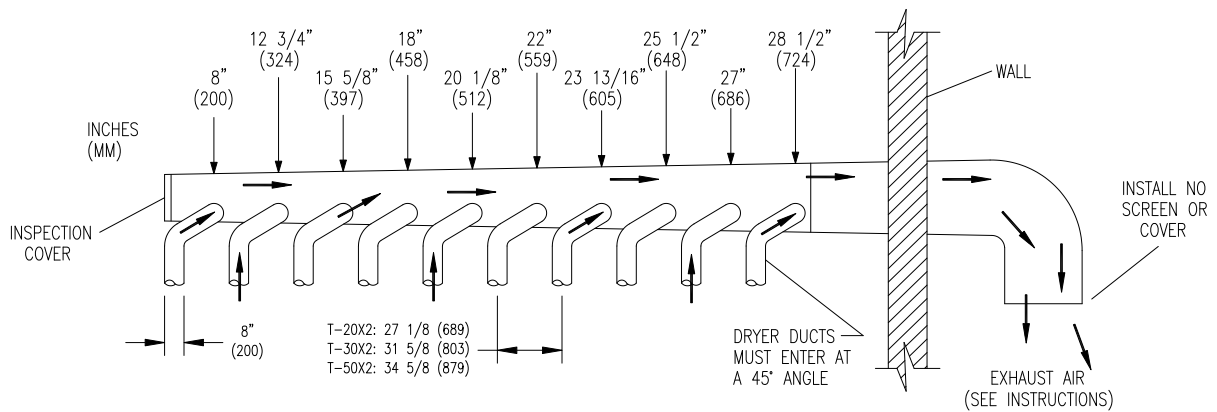


FIGURE 3- Dryer Exhausting Using A Main Discharge Duct

7. **DRYER IGNITION (SOLID STATE IGNITION):** The solid-state ignition system lights the main burner gas by spark. The gas is ignited and burns only when the gas-relay (in the electronic controller) calls for heat. The procedure for first-time starting of a dryer is as follows.

- i. First review and comply with the "Warnings About Use and Operation" found on the inside front cover of this manual. Be sure electrical power is connected correctly. The dryer must be properly grounded.
- ii. Make sure all gas supply lines are purged of air. Close the main gas shut-off valve and wait for five minutes before turning it back on.
- iii. Turn on the main electrical power switch. The dryer may be started by following the "Operating Instructions" found later in this manual.
- iv. Natural gas and LPG fired dryers operate in the same manner. When the gas valve relay contacts are closed (indicating a demand for heat), the solid-state ignition control will automatically supply energy to the redundant gas valve. Sparking will continue until a flame is detected by the sensing probe, but not longer than ten seconds. If the gas fails to ignite in 10 seconds, the gas valve closes and the gas system pauses to allow gas to purge from the inside of the dryer. After the pause, the ignition control repeats the ignition trial cycle twice more. If the gas system fails to detect ignition after the three attempts, the system will "lock out". No further attempts will be performed automatically. To reset the ignition control electrical power to the ignition control must be interrupted. This can be done by opening the dryer door (stopping the dryer) for 15 seconds. Closing the door and pushing the "Start" button will repeat the ignition trial cycle.

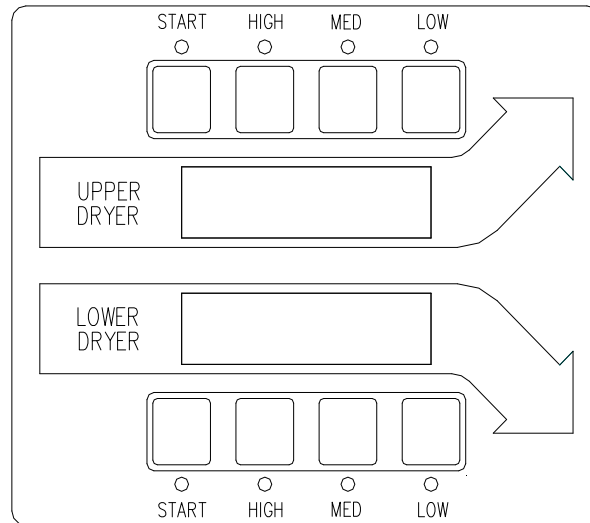
8. **MAIN BURNER ADJUSTMENT.** The primary air shutter of each main burner must be properly adjusted for the correct air-gas ratio. Loosen the shutter locking screw. Adjust the shutter by closing it sufficiently to give a blue flame with a yellow tip. Next open the shutter until the yellow tips are at a minimum. After adjustment securely lock each shutter in position by tightening the shutter locking screws.

DRYER SHUTDOWN

To render the dryer inoperative, turn off the main gas shut off valve and disconnect the electrical supply to the dryer.

NOTE: The installer must test the dryer for operation and instruct the user before leaving the installation.

DESCRIPTION OF DRYER CONTROL



Both dryers are operated by the controller at the left midpoint of the dryer. The controller is two-in-one with the upper display and lights dedicated to the upper dryer and lower display and lights dedicated to the lower dryer.

When money has been deposited, the control will prompt the user to choose a drying temperature and press the "start" button. Time is not added until this occurs for either the upper or lower dryer. If no purchased time is available on the control, the vend price is displayed.

The drying program (temperature) selected by the user is indicated by the red lights at the top and bottom. When the dryer is in use, the drying temperature may be displayed by simultaneously pressing the "start" button and the button of the temperature selected.

OPERATING INSTRUCTIONS

STARTING THE DRYER

1. Load clothes into either the upper or lower dryer (or both). Close the door(s) completely.
2. Deposit coins equal to or greater than the displayed vend price. The control will prompt the user to choose a drying temperature. Time is not added until this occurs for either the upper or lower dryer.
3. Select drying temperature by pressing the appropriate button for the dryer to be used. This will turn on the red light showing the selected temperature.
4. Press "start" button to start dryer. This will display the drying time purchased.

RUNNING THE DRYER

-Opening the door will stop the dryer. The dryer will restart, if time has not expired, upon closing the door and pressing the "start" button.

-Selected temperature may be changed at any time (unless Temperature Pricing feature is activated).

-Running time may be extended by depositing coins and pressing the "start" button for the correct dryer. Unless time has expired, the controller will accept coins whether or not the original vend price is equaled.

-If time has run out, the dryer must be restarted as if it was at the beginning of drying the load, which requires meeting or exceeding the vend price.

-Clothes should be removed promptly after the cycle is completed to prevent excessive wrinkling.

-Cool-down time (owner programmable) is always part of the cycle time to prevent damage from heat and is purchased by the customer. For example, if the cool-down time is 2 minutes, then the last 2 minutes of the cycle will have no heat.

PROGRAMMING THE DRYER CONTROL

The dryer control can be programmed to prompt the user for alternate vend prices, change dryer cycle times, temperatures and many other options. This can be accomplished in two ways:

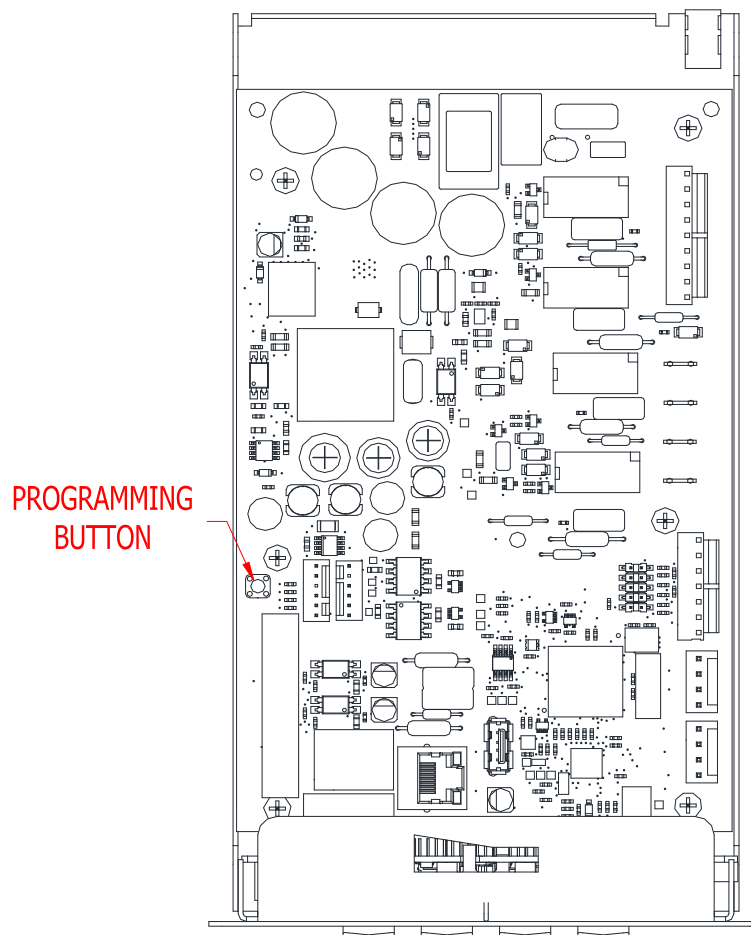
1. Manual programming utilizing the "Start", "High", "Medium" and "Low" buttons for the bottom dryer.
2. USB download of a customizable User File. For instructions on using the USB download feature, please contact your local Dexter distributor or visit DexterLive.com.

MANUAL PROGRAMMING:

The dryer must be in idle mode for the manual programming menus to be accessed. Idle mode is when the dryer is not actively running a drying cycle and the vend price is displayed on the screen (for both upper and lower dryers).

To enter the manual programming mode, the control tray on the dryer must be unlocked and pulled out to reveal the programming button. The programming button is then pressed for 1 second. The control should display "DRYER PROGRAMMING".

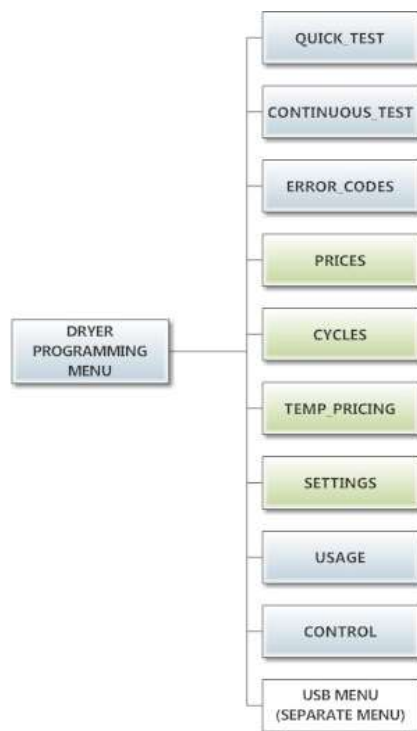
See the figure below for the location of the programming button on the control tray.



When manual programming mode is entered, the "Start", "High", "Medium" and "Low" buttons for the lower dryer perform alternate functions. Please note that the changes made using the lower dryer buttons affect both upper and lower dryers.

Button Name	Alternate Function in Programming Mode
Start	Becomes the action to accept the displayed option or the "Enter" key
High	Becomes the action to move UP through displayed options (Press & hold for accelerated scrolling)
Medium	Becomes the action to move DOWN through displayed options (Press & hold for accelerated scrolling)
Low	Becomes the action to move back a step (1 press) or EXIT from programming mode (press for 3 seconds)

These alternate functions allow the user to move through a menu of options to choose various programmable settings. The figure below shows the top level menu. Choosing an option from the top level menu will then display the next level of options (the sub menu).



Quick Test Option:

When the Quick Test Option is chosen, the dryer will begin a shortened dry cycle without the displayed vend price being met. The purpose of this shortened cycle is to test all major components for proper operation. Error Codes should all function normally during this test. The display will show customer prompts in a similar way to a normal dry cycle.

Continuous Test Option:

Similar to the Quick Test, when the Continuous Test Option is chosen, the dryer will begin a dry cycle without the displayed vend price being met. However, in this case, it will be a continuously-running cycle. It will not time out after any designated amount of time.

CAUTION: This option is meant for factory use only. Do not operate the dryer with this cycle active without factory authorization.

Error Code Historical Log:

The last fifteen occurring error codes will be stored in the control with a time and date stamp. The purpose of this option is only to observe the history of these code occurrences (no changes can be made).

The time is based off the Real Time Clock, but potentially shifted by the user's manual programming changes (Shift Hours option) and/or network time override. As additional error codes occur, the oldest of the fifteen logged codes is cleared from memory.

Prices Option:

This option allows the user to set values for coin acceptor inputs, vend price & time and extend dry price & time. It also allows the user to return the values to factory defaults. After changing prices using the "Up" or "Down" buttons, the "Enter" button must be pressed again for the control to store the changes that have been made.

Note that, in general, time values are set in 1 minute increments. This can be changed to 30 second increments, by changing the "Display Time" to "MIN+SEC" (refer to the "Settings" section).

1. "RIGHT COIN" and "LEFT COIN" are the two possible inputs from coin acceptors.
2. "PRICE SET VEND" is the actual Base Vend Price (or Vend Price A) that is shown on the control display. The value can be increased or reduced even down to "0". In this case, the displays will prompt "FREE" and the cycle will start as soon as the "Start" button is pressed (without any vend price being met).
3. "TIME SET VEND" is the cycle time that the customer has available once they've met the Base Vend Price.
4. "FREE SET TIME" is the cycle time that the customer has available if the Base Vend Price is set to "FREE".
5. "EXTEND DRY" sets the price and time for additional drying time that becomes available after the customer has already met the Base Vend Price.

To reset either the coin acceptor inputs or the vend price to factory default, press "Enter" when the "DEFAULT" prompt is shown. Press "Enter" again when the "RESET" prompt is shown to confirm the action.

Example- A store owner has programmed the control for the following values:

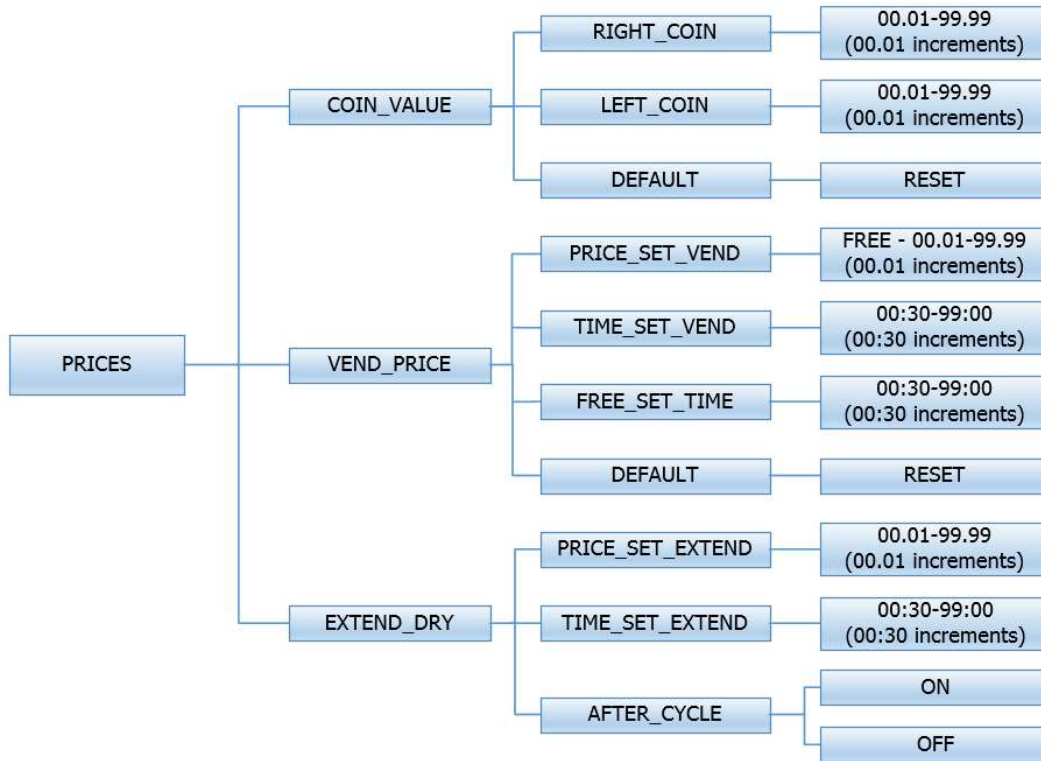
Base Vend Price	\$1.00
Base Vend Time	30 minutes
Extend Dry Price	\$.25
Extend Dry Time	8 minutes

In this case, the customer adds 4 quarters to satisfy the \$1.00 Vend Price. The display shows 30 minutes of drying time. At this point, if an additional quarter is added, the customer display shows an additional 8 minutes of drying time (38 minutes total) as per the Extend Dry Price & Time.

The customer starts the drying cycle and at 25 minutes into the cycle (13 minutes displayed), they add an additional quarter. The controller adds 8 minutes to the displayed time again (21 minutes total) as per the Extend Dry Price & Time.

"AFTER CYCLE" allows the user to choose whether a customer is allowed to add "EXTEND DRY" time for up to 30 seconds after the dryer door is opened after a completed cycle.

The figure below shows the sub menu options for Prices:



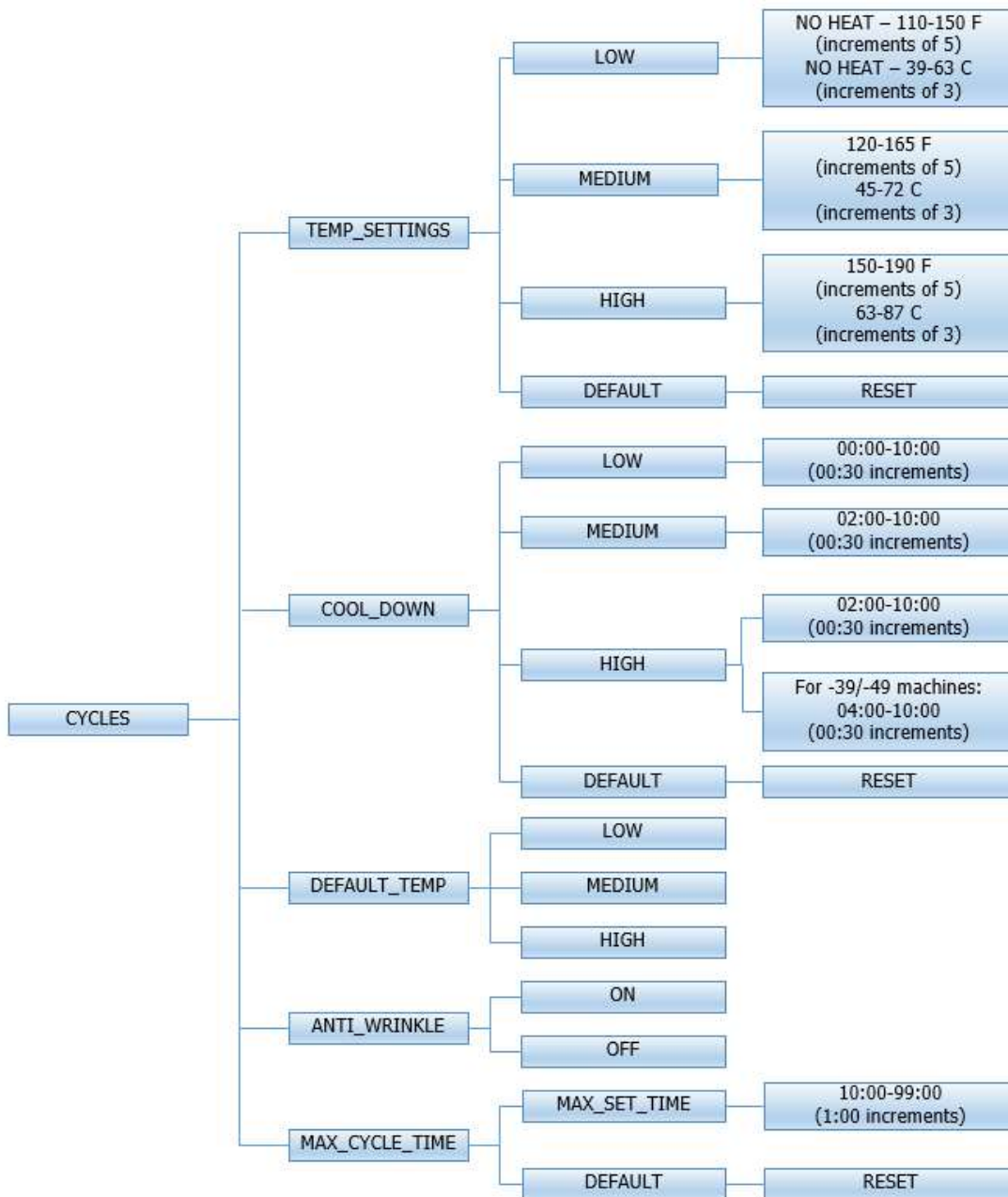
Cycles Option:

This option allows the user to set temperature and cooldown information for the drying cycle. It also allows the user to return the values to factory defaults.

1. "TEMP SETTINGS" allows the user to make adjustments, within a designated range, to the cycling temperature for each of the "Low", "Medium" and "High" customer choices.
2. In addition, on the "Low" setting, the user can reduce the cycling temperature below 110 degrees F. In this case, when the customer chooses the "Low" setting, the dryer will not turn on the gas valve. When checked, the displayed temperature will read "NO HEAT".
3. "COOLDOWN" allows the user to change the designated time at the end of a cycle where the gas valve relay is turned off. On "High" and "Medium" temperature settings, the designated time cannot be reduced to less than 2 minutes. On the "High" temperature setting for -39/-49 machines, the designated time cannot be reduced to less than 4 minutes.
4. "DEFAULT TEMP" allows the user to choose which general temperature setting, "High", "Medium" or "Low", the control will default to at the beginning of each cycle if the customer does not make a choice.
5. "ANTI WRINKLE" is a feature that periodically rotates the dryers after a cycle is complete. If the door was closed at the end of the cycle, and is left closed for 5 minutes, the enunciator will sound and the display begins scrolling "ANTI WRINKLE". 5 seconds later, the dryer motor will turn on for 60 seconds and then turn off. The gas valves will not be turned on. The "ANTI WRINKLE" message will continue throughout the time that the motor is turned on. The user can choose to enable or disable this feature.
6. "MAX CYCLE TIME" allows the user to set the maximum time that can be purchased for a cycle. This includes the total time purchased before the cycle is started, while the cycle is running, and after the cycle ends.

To reset all values in the Cycles option to factory default, press "Enter" when the "DEFAULT" prompt is shown. Press "Enter" again when the "RESET" prompt is shown to confirm the action.

The figure below shows the sub menu options for Cycles:



Temperature Pricing Option:

This option allows the user to require additional vend amounts be added based on the drying temperature chosen by the customer. This pricing adder is effective only for the Base Vend Price (it does not affect the Extend Dry Price). It allows a pricing adder separate for "Medium" and "Hot" temperature settings.

Example- A store owner has programmed the control for the following:

Vend Price	\$1.00
Vend Time	30 minutes
Extend Dry Price	\$.25
Extend Dry Time	8 minutes
Medium Adder	\$.25
Hot Adder	\$.50

In this case, the Vend Price is displayed as:

\$1.00 if Low Temperature is chosen

\$1.25 if Medium Temperature is chosen

\$1.50 if Hot Temperature is chosen

When Temperature Pricing Adders are in place (user has chosen a higher value then \$0.00), if the customer attempts to change their temperature selection from a lower temperature to a higher one during a drying cycle, there will be no change in the temperature selection. The higher temperature buttons are disabled until the drying cycle is complete and a new Vend Price is required.

The figure below shows the sub menu options for Temperature Pricing:



Settings Options:

The Settings options allow for the user to make various programming changes to change how the control operation affects the customer. See below for detailed information on each next level option.

1. "Decimal Point": If the user programs the Decimal Point to "OFF", control display will not show a decimal point on any vend price values. The factory default is "ON".
2. "Display Time": If the user programs this value to "MIN", then minutes only will be shown for the cycle time. If it is programmed to "MIN+SEC", then minutes and seconds will be shown. This also allows other programming changes, involving time, to be made in either minute increments or minutes & seconds increments, as desired.
3. "Temp Scale": If the user programs this value to "F", then the temperatures will be displayed in Fahrenheit units. If it is programmed to "C", then the temperature will be in Celsius units.
4. "Sounds": If the user programs the Sounds to "OFF", the control will not sound the enunciator at the end of a dry cycle. The factory default is "ON".
5. "Password": If the user programs the password to any value other than 0000, the control will prompt the user to enter a password (the programmed value) before manual programming can be accessed. The factory default is "0000" (no password).
 - a. Note that if the user forgets the Password, it can be reset to factory default (no password), by performing a hard reset on the control. Please refer to the appropriate section of this manual to understand how to perform a hard reset.
 - b. The individual digits of the Password can be set by using the "Up" or "Down" buttons to change the number that is flashing. Once the desired number is chosen for a single digit, press the "Enter" button to move to the next one. Once all four desired digits are chosen, the "Enter" button must be held down for 3 seconds to confirm that the complete password should be set.
6. "Central Pay": If the user programs this value to "ON", the left and right coin inputs become upper and lower dryer coin inputs.

Central Pay "OFF"	Central Pay "ON"
Left Coin Input	Upper Dryer Input
Right Coin Input	Lower Dryer Input

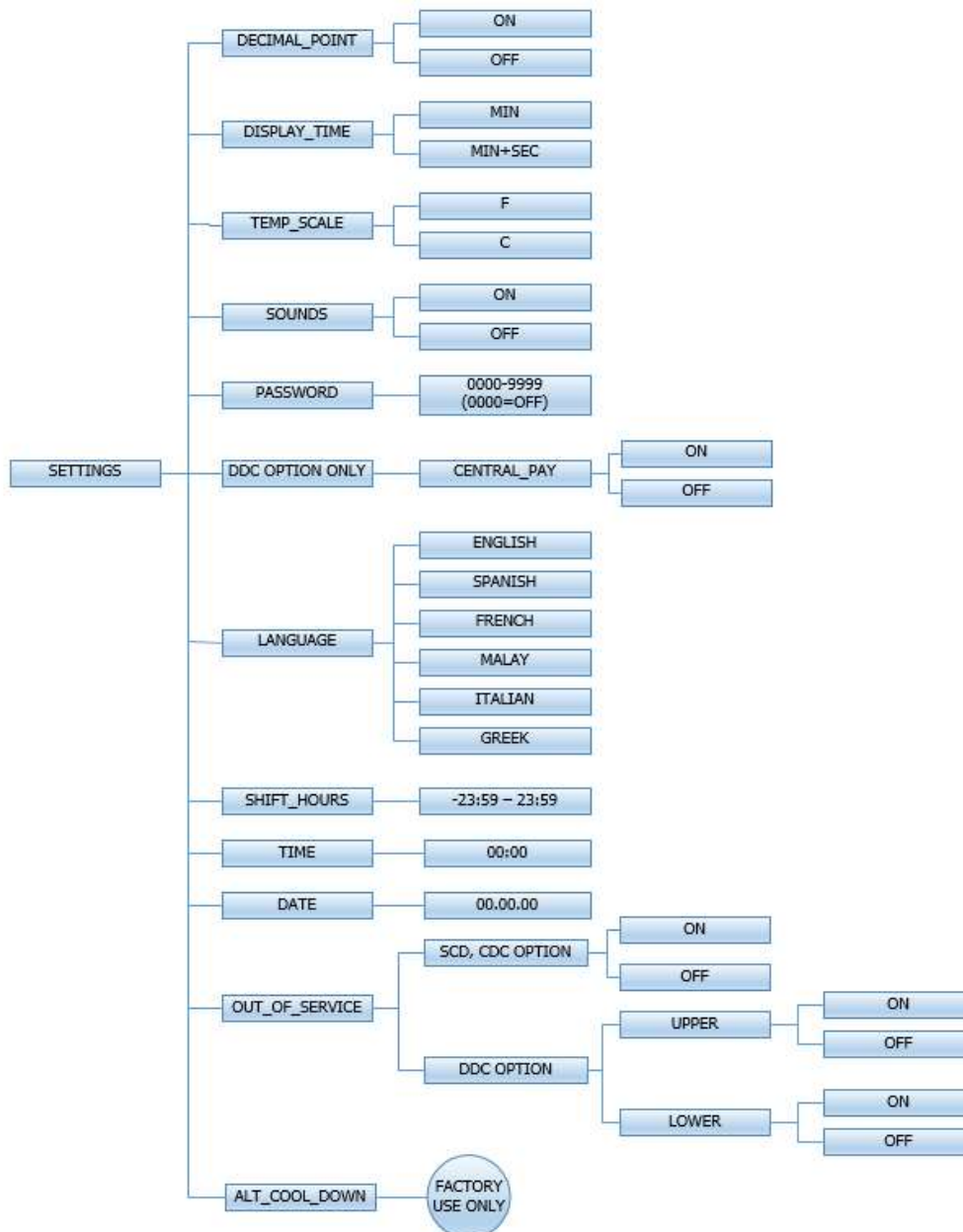
A system can then be installed that will register coin inputs per individual dryer remotely from a Central Pay kiosk. The left and right coin prices must be appropriately programmed. When this option is enabled, the controller will only display customer prompts for a designated dryer. This designated dryer is determined when coins are inserted at the Central Pay kiosk.

7. "Language": The control uses English for the default language of the customer prompts. Alternatively, the user can choose Spanish, French, Malay, Italian, or Greek for the customer display prompts. However, all other prompts, such as Manual Programming, USB Programming and any Error Codes will still display in English.
8. "Shift Hours": This feature allows the user to shift the time used by the control from the time kept internally by the control. The control uses a Real Time Clock (RTC) to internally track the time and date. The RTC continues operation even if the control loses external power. The RTC is set for Central Standard Time and no daylight savings. Because the machine may be located in another time zone, the user can choose to create an alternate time & date that tracks in parallel to the RTC. When this alternate time is chosen, or shifted from the RTC, the alternate time will be used to, for example, track error code occurrences and set time-of-day pricing changes.
 - a. The hours in "SHIFT HOURS" can be set by using the "Up" or "Down" buttons to change the number that is flashing. Once the desired hour shift is chosen, press the "Enter" button to move to the minutes. Once the hours and minute shift are both chosen, the "Enter" button must be held down for 3 seconds to confirm that the complete shifted time is set.
9. "Time": The control uses a Real Time Clock (RTC) to internally track the time and date. The RTC continues operation even if the control loses external power. The RTC is set for Central Standard Time and no daylight savings. However, if a problem occurs and the RTC time is not accurate, it can be reset to the current time using this option.
 - a. The hours in "TIME" can be set by using the "Up" or "Down" buttons to change the number that is flashing. Once the desired hour is chosen, press the "Enter" button to move to the minutes. Once the hours and minute are both chosen, the "Enter" button must be held down for 3 seconds to confirm that RTC is meant to be reset to the complete entry.

10. "Date": Similar to "Time", if a problem occurs and the RTC date is not accurate, it can be reset to the current date using this option.
 - a. The day of the month in "DATE" can be set by using the "Up" or "Down" buttons to change the number that is flashing. Once the desired day of the month is chosen, press the "Enter" button to move to the month of the year. Once the desired month of the year is chosen, press the "Enter" button to move to the year. Once the day, month and year are all chosen, the "Enter" button must be held down for 3 seconds to confirm that RTC is meant to be reset to the complete entry.
11. "Out of Service" – The control can be put into an Out-of-Service mode via manual programming. When the mode is "ON", the control will scroll "OUT OF SERVICE" on the display. The machine will not react to any vend input and will not operate when in this mode. The factory default is "OFF".
12. "Alt Cool Down": This setting is for factory use only.

To reset all values in the Settings options to factory default, press "Enter" when the "DEFAULT" prompt is shown. Press "Enter" again when the "RESET" prompt is shown to confirm the action.

The figure below shows the sub menu options for Settings:

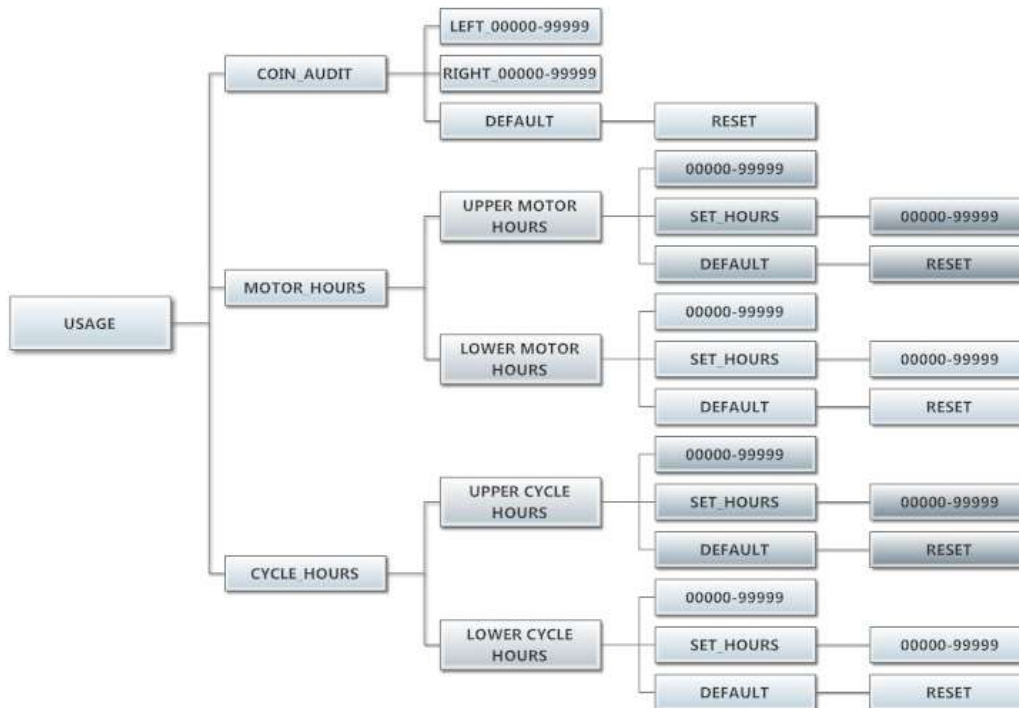


Usage Menu:

The Usage menu allows for the user to track data about machine usage. See below for detailed information on each sub menu option.

1. "Coin Audit": The coin audit field shows the accumulation of coin pulses that were sent to the control over each of the left and right coin inputs. Note that this is a count of coin pulses, not an accumulated report of vend value.
 - a. The user can also return the coin audit amounts to the factory default setting (zero). To reset all coin audit values, press "Enter" when the "DEFAULT" prompt is shown. Press "Enter" again when the "RESET" prompt is shown to confirm the action.
2. "Motor Hours": The motor hours field shows the accumulated hours of operation for both the upper and lower motors independently. In many cases, it will match the cycle hours of the machine. However, separate fields are provided in the event that a motor is replaced on a machine. The user can set the motor hours to a designated number. For example, if it is necessary to replace the control on a machine, the new control could be programmed to show the motor hours that were recorded by the previously installed control. The individual digits of the hours count can be set by using the "Up" or "Down" buttons to change the number that is flashing. Once the desired digit of the hours is chosen, press the "Enter" button to move to the next digit. Once the complete hours are chosen, the "Enter" button must be held down for 3 seconds to confirm the action.
 - a. The user can also return the motor hours to the factory default setting (zero). To reset the motor hours, press "Enter" when the "DEFAULT" prompt is shown. Press "Enter" again when the "RESET" prompt is shown to confirm the action.
3. "Cycle Hours": The cycle hours field shows the accumulated hours of operation for both the upper and lower dryer dryers independently. In many cases, it will match the motor hours of the machine. However, separate fields are provided in the event that a motor is replaced on a machine. See the Motor Hours description for more information.

The figure below shows the sub menu options for Usage:

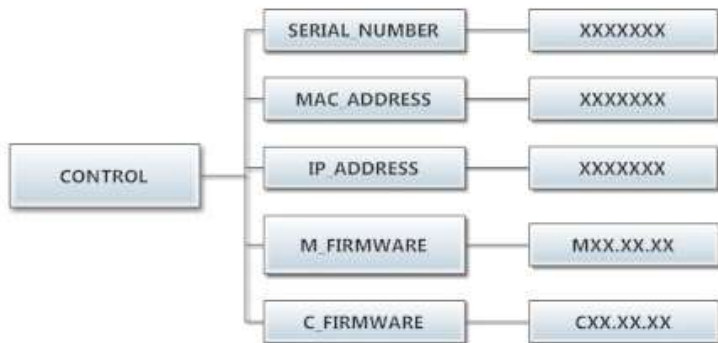


Control Menu:

The Control menu allows for the user to observe important technical information for the control. No changes can be made at this menu. See below for detailed information on each sub menu.

1. "Serial Number": This is the control serial number.
2. "MAC Address": The MAC Address is a unique identifier designated to the control by the manufacturer. It allows the control to be recognized by network routers.
3. "IP Address": The IP Address is the identifier given to the control by a network system.
4. "M Firmware": The M Firmware is the Main Firmware currently loaded onto the control.
5. "C Firmware": The C Firmware is the Communications Firmware currently loaded onto the control.

The figure below shows the sub menu options for Control:



REVERSING OPTIONS (T-50X2 REVERSING MODEL)

The dryer can be set to reverse at different intervals dependent on owner's preference. The style of operation is determined by the location of the **BROWN** jumper wire located in the rear control box, on the frequency drive. (see image for jumper location)



STYLE	Dryer Operation	FWD (sec)	REV (sec)	Jumper Locations	
				Pos (1)	Pos (2)
1	NON-REV.	YES	NO	DCM	MCM
2	REV.	30	30	DCM	MI2
3	REV.	60	60	DCM	MI4
4	REV.	90	90	DCM	MI5
5	REV.	120	120	DCM	MI6

SERVICING AND TROUBLESHOOTING

CAUTION: Label all wires prior to disconnection when servicing controls. Wiring errors can cause improper and dangerous operation. Verify proper operation after servicing.

ATTENTION: Lors des opérations d'entretien des commandes, étiquetez tous les fils avant de les débrancher. Des erreurs de câblage peuvent entraîner un fonctionnement inadéquat.

If any of the following symptoms occur on this dryer, check the suggested remedies listed below. If all probable causes have been eliminated and the symptom still exists, contact your local Dexter agent for further troubleshooting assistance. See contact information in Preventative Maintenance section. Parts & Service Manuals from Dexter are also available for further troubleshooting assistance.

Symptom	Probable Cause	Suggested Remedy
Tumbler Does not turn	Control	Check that Control Display shows time available for drying. If not, deposit money as needed.
	Loading Door	Check that Loading Door is completely closed
	Lint Compartment Door	Check that Lint Compartment Door is completely closed.
	Drive Belts	Check drive belts for excessive wear. Replace as needed.
Tumbler Turns, but no burner flame is present	Gas shut-off valve	Make sure gas shut-off valve is in the open position
	Ignition Module	Follow the procedure for checking the ignition cycle listed in Dryer Ignition section of this manual.
Slow Drying	Control	Check that proper Temperature setting is chosen.
	Lint Screen	Clean Lint Screen
	Air flow Restrictions/ Make-up Air	Follow installation guidelines for static back pressure and make-up air
	Exhaust	Check exhaust for obstructions, follow installation guidelines
"Temp Sensor Short" or "Temp Sensor Open" Error Code displayed on control	Temperature Sensor	Press programming button to clear Error Code. If Error code persists, contact Dexter agent for assistance
"PCB Error" or "Comm Error" code displayed on control	Control Error	Cycle power to dryer to clear Error Code. If Error Code persists, contact Dexter Agent for Assistance

PREVENTIVE MAINTENANCE INSTRUCTIONS

DAILY

1. Clean the lint screen. Use a soft brush if necessary.
2. Check the lint screen for tears. Replace if necessary.
3. Clean lint from the lint screen compartment.
4. Inspect felt seal on lint screen assembly. Replace if necessary.

MONTHLY

1. Remove lint accumulation from the end bells of the motors.
2. Remove lint accumulation from front control area.
3. Remove lint and dirt accumulation from the top of the dryer and all areas above, below, and around the burners and burner housing. Failure to keep this portion of the dryer clean can lead to a build-up of lint creating a fire hazard.

QUARTERLY

1. Check the belts for looseness, wear, or fraying.
2. Inspect the gasket of the door glass for excessive wear.
3. Check tightness of all fasteners holding parts to support channel.
4. Check tightness of all set screws.
5. Inspect the impeller for tightness of the blades to hub.
6. Remove the air flow switch assembly and check the tumbler thru-bolts for tightness.
7. Grease the pivot pins and the tension arms where in contact with each other. (Where applicable)

SEMI-ANNUALLY

1. Remove and clean the main burners.
2. Remove all orifices and examine for dirt and hole obstruction.
3. Remove all lint accumulation. Remove the front panel and the lint screen housing and remove lint accumulation.
4. Apply a few drops of oil to each spacer tube on the tension arm assembly. (Where applicable)

ANNUALLY

1. Check the intermediate pulley bearings for wear.
2. Check and remove any lint accumulation from the exhaust system.
3. Grease the bearings and the shaft of the intermediate drive pulley. Use an Alemite grease gun and Molykote BR2-S grease. (Where applicable)

SERVICE PARTS

PART NUMBER

	T-20X2	T-30X2	T-50X2	T-50X2 REV
DRIVE BELT, MOTOR	9040-076-012	9040-077-001	9040-076-009	N/A
DRIVE BELT, TUMBLER	9040-073-013	9040-073-009	9040-073-011	9040-076-003
LINT SCREEN FILTER	9555-057-011	9555-057-002	9555-057-008	9555-057-008

For service and parts information, contact your local Dexter agent. To find your local Dexter agent, use the Distributor Locator at the website shown below. If a Dexter agent is not available, contact **Dexter Laundry, Inc.** directly as listed below:

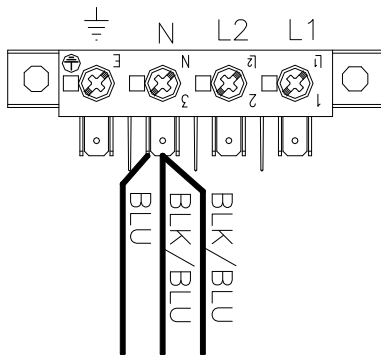
Mailing Address: 2211 West Grimes Avenue Phone: 1-800-524-2954
Fairfield, IA 52556
USA

Website: www.dexter.com

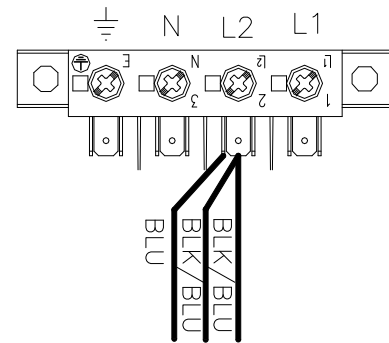
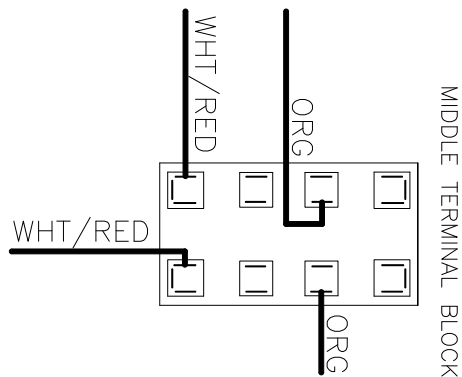
Instructions - Convert a Dual Voltage Stack Dryer from 120V to 208-240V (No Neutral Required, -15 MODELS)

1. Remove incoming power from the dryer. Use a known working voltmeter to check power.
2. Remove the cover of the control box assembly from the dryer using a 5/16" wrench.
3. Move the black/blue wire AND the blue wire from the N position of the main power terminal block to the L2 position of the main power terminal block in the upper control box assembly. See figure below.
4. Move the white/red wire of the upper motor harness to an upper inner left terminal in the middle terminal block in the lower control box assembly. See figure below.
5. Move the orange wire of the upper motor harness to an upper inner left terminal in the middle terminal block in the lower control box assembly. See figure below.
6. Move the white/red wire of the lower motor harness to a lower inner left terminal in the middle terminal block in the lower control box assembly. See figure below.
7. Move the orange wire of the lower motor harness to a lower inner left terminal in the middle terminal block in the lower control box assembly. See figure below.

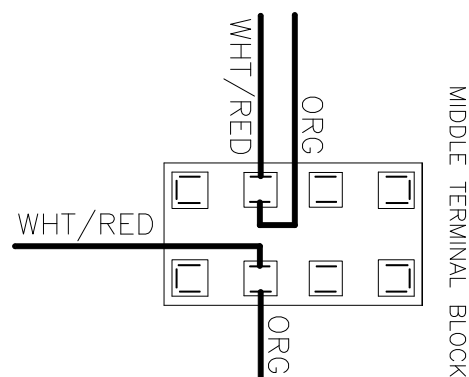
Conversion instructions continued on next page.



110-120V (L1, N)

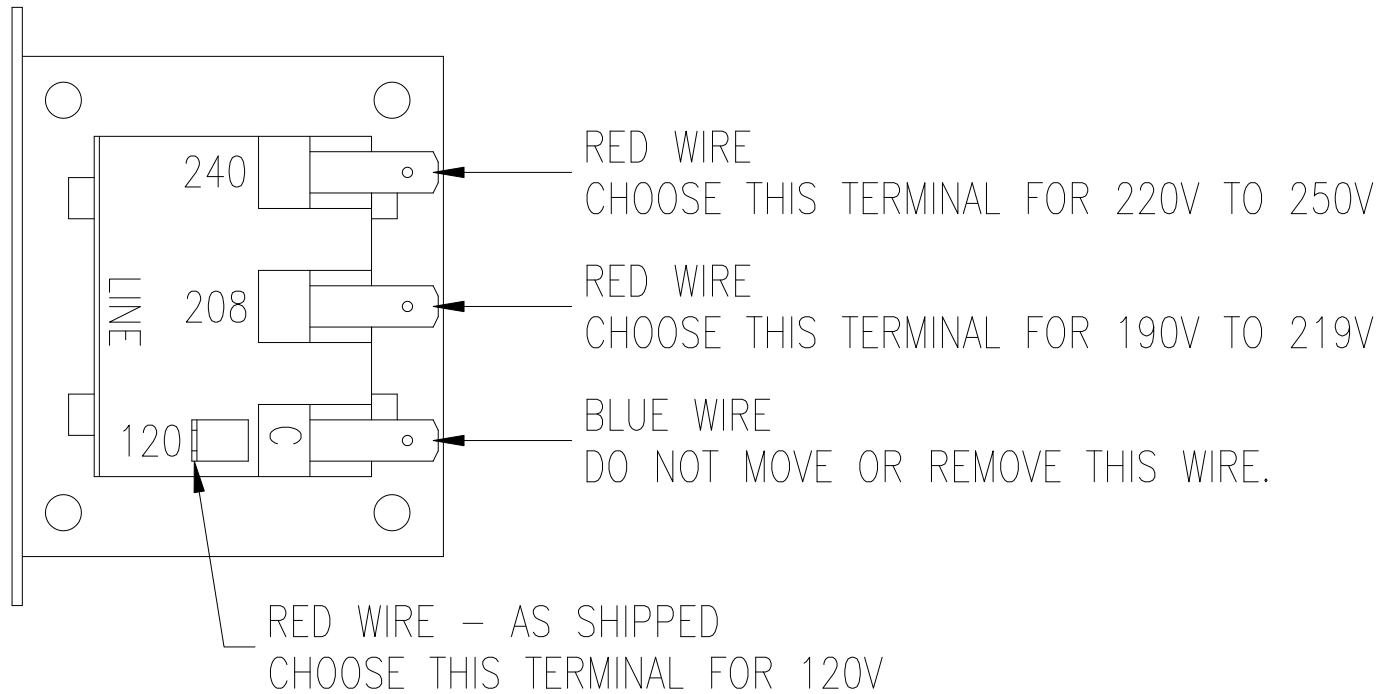


208-240V (L1, L2)



8. Move the red wire from the 120V tap on the transformer found in the bottom of control box to the required voltage tap based on actual supply voltage measurement. See figure below.

CONTROL TRANSFORMER CONNECTIONS
AS VIEWED FROM SIDE OF TRANSFORMER



9. Reconnect power to the dryer and test to ensure proper operation; one line voltage to L1, one line voltage to L2 and the earth ground to E.
10. Reinstall the cover of the control box assembly on the dryer using a 5/16" wrench.

**SÉCHEUSE COMMERCIALE
MODÈLES T-20X2, T-30X2 ET T-50X2 POUR LAVERIE PAYANTE
COMMANDE DE LA SÉRIE C, CHAUFFAGE AU GAZ NATUREL/GPL**



DEXTER.
LAUNDRY

**MANUEL DE L'UTILISATEUR
INSTRUCTIONS D'INSTALLATION ET D'UTILISATION**

La sécheuse ne doit pas être entreposée ni installée dans des endroits où elle risque d'être exposée à l'eau ou aux conditions climatiques.

▲ WARNING:

FIRE OR EXPLOSION HAZARD

Failure to follow safety warnings exactly could result in serious injury, death or property damage.

- Do not store or use gasoline or other flammable vapors and liquids in the vicinity of this or any other appliance.
- WHAT TO DO IF YOU SMELL GAS
 - Do not try to light any appliance.
 - Do not touch any electrical switch; do not use any phone in your building.
 - Clear the room, building or area of all occupants.
 - Immediately call your gas supplier from a neighbor's phone. Follow the gas supplier's instructions.
 - If you cannot reach your gas supplier, call the fire department.
- Installation and service must be performed by a qualified installer, service agency or the gas supplier.

▲ AVERTISSEMENT. Assurez-vous de bien suivre les instructions données dans cette notice pour réduire au minimum le risque d'incendie ou d'explosion ou pour éviter tout dommage matériel, toute blessure ou la mort.

- Ne pas entreposer ni utiliser d'essence ni d'autres vapeurs ou liquides inflammables à proximité de cet appareil ou de tout autre appareil.
- QUE FAIRE SI VOUS SENTEZ UNE ODEUR DE GAZ:
 - Ne pas tenter d'allumer d'appareils.
 - Ne touchez à aucun interrupteur. Ne pas vous servir des téléphones se trouvant dans le bâtiment.
 - Évacuez la pièce, le bâtiment ou la zone.
 - Appelez immédiatement votre fournisseur de gaz depuis un voisin. Suivez les instructions du fournisseur.
 - Si vous ne pouvez rejoindre le fournisseur de gaz, appelez le service des incendies.
- L'installation et l'entretien doivent être assurés par un installateur ou un service d'entretien qualifié ou par le fournisseur de gaz.

Affichez l'avertissement « **Pour votre sécurité** » suivant dans un emplacement bien en vue :

FOR YOUR SAFETY

Do not store or use gasoline or other flammable vapors or liquids in the vicinity of this or any other appliance.

POUR VOTRE SÉCURITÉ

Ne pas entreposer ni utiliser d'essence ni d'autres vapeurs ou liquides inflammables à proximité de cet appareil ou de tout autre appareil.

Il est important que vous lisiez ce manuel et le conserviez pour le consulter ultérieurement. Pour l'entretien ou les pièces de rechange, communiquez avec le distributeur de votre localité ou avec le fabricant.

Vous, l'acheteur, devez afficher dans un emplacement bien en vue les instructions à suivre dans l'éventualité où l'utilisateur détecte une odeur de gaz. Consultez votre fournisseur de gaz local pour connaître la procédure à suivre si une odeur de gaz est détectée.

POUR VOTRE SÉCURITÉ

CETTE MACHINE EST UNIQUEMENT DESTINÉE À SÉCHER LES TISSUS LAVÉS À L'EAU.

Pour éviter tout risque d'incendie, notamment de combustion spontanée, ne faites pas sécher des serpillières imbibées d'huile, de produits contenant de la mousse de caoutchouc ou un matériau caoutchouté similaire, ou tout autre matériau sur lequel vous avez utilisé un produit nettoyant ou qui contient des liquides ou des solides inflammables (tels que de l'essence, du kérosène, de la cire, etc.). Les adoucissants et produits similaires doivent être utilisés selon les instructions fournies avec le produit. Vider entièrement les poches de leur contenu, tel qu'un briquet ou des allumettes.

Cet appareil peut être utilisé par les enfants à partir de 8 ans, par les individus présentant des capacités physiques, sensorielles ou mentales réduites, ainsi que par les individus manifestant un manque d'expérience et de connaissances si cet usage se fait sous surveillance ou qu'ils ont reçu les instructions nécessaires pour utiliser l'appareil en toute sécurité et qu'ils comprennent les risques encourus. Les enfants ne doivent pas jouer avec l'appareil. Le nettoyage et l'entretien ne doivent pas être effectués par un enfant laissé sans surveillance. Les enfants non surveillés de moins de 3 ans doivent être tenus à l'écart de l'appareil.

Dexter Laundry, Inc.
2211 W. Grimes
Fairfield, Iowa 52556, États-Unis

TABLE DES MATIÈRES

	N° de page
Avertissements relatifs à l'utilisation et au fonctionnement	40
Caractéristiques techniques de la sécheuse	41-44
Dimensions de la sécheuse	45-53
Instructions d'installation	54
Arrêt de la sécheuse	59
Description des commandes de la sécheuse	59
Instructions d'utilisation	59
Programmation des commandes de la sécheuse	60
Entretien et dépannage	74
Instructions d'entretien préventif	75
Instructions de conversion en double tension	76

AVERTISSEMENTS RELATIFS À L'UTILISATION ET AU FONCTIONNEMENT

NE PAS MODIFIER CETTE MACHINE. MAINTENIR LES BOUCLERS, LES PROTECTIONS ET LES COUVERCLES EN PLACE. Ces dispositifs de sécurité sont fournis afin de prévenir les blessures.

AVERTISSEMENT : Ne pas arrêter la sécheuse avant la fin d'un cycle à moins de retirer tous les articles rapidement et de les étaler pour dissiper la chaleur.

Il est **ABSOLUMENT NÉCESSAIRE** de mettre la sécheuse à la terre en la raccordant à une masse de terre (zéro) connue en se conformant aux codes locaux ou, en cas d'absence de ces derniers, à la dernière édition du Code national de l'électricité ANSI/NFPA 70 ou au Code électrique canadien Standard CSA C22.1, Partie 1. Cette mesure assure non seulement la sécurité personnelle, mais elle est également nécessaire pour le bon fonctionnement du contrôleur. Le non-respect de cette consigne entraînera l'annulation de la garantie du contrôleur.

LA SÉCHEUSE DOIT ÊTRE RACCORDÉE À L'ALIMENTATION DEPUIS AU MOINS TROIS (3) MINUTES avant sa mise en route ou un changement de programme. Toute coupure de courant ayant lieu durant cette phase de mise sous tension risquerait d'entraîner la perte de la mise en route ou du changement de programme. En cas de coupure de courant après ces trois premières minutes, toutes les données programmées sont protégées indéfiniment et le cycle individuel de l'utilisateur est protégé pendant une durée de trois secondes maximum, et cela sans aucune pile.

LA SÉCHEUSE DOIT ÊTRE RACCORDÉE À L'ALIMENTATION ÉLECTRIQUE EN PERMANENCE, sauf en cas d'entretien ou de toute autre activité similaire. Le compteur d'heures prend uniquement en compte les heures entièrement écoulées. Si l'alimentation électrique est coupée tous les soirs, toute heure partiellement écoulée au moment de la coupure sera perdue. À long terme, couper l'alimentation électrique tous les soirs pourrait également endommager la mémoire de l'appareil. Une coupure occasionnelle de l'alimentation n'affectera pas l'appareil.

CETTE SÉCHEUSE EST ÉQUIPÉE D'UN THERMOSTAT DE SUR-TEMPÉRATURE situé sur le côté du carter du brûleur sur les modèles T-30X2 et T-50X2, au-dessus du robinet de gaz (sur le modèle T-20X2, il est situé sur le côté du conduit d'évacuation, en dessous du carter du brûleur). Si la sécheuse cesse de fonctionner, reportez-vous au manuel « Procédure d'entretien et liste des pièces » pour trouver les instructions correspondantes.

VÉRIFIEZ CE THERMOSTAT LORS DE L'INSTALLATION DE LA SÉCHEUSE afin de vous assurer que le circuit n'est pas coupé en raison du déclenchement du disjoncteur. Les chocs, tels que la manipulation brusque lors de l'expédition, peuvent couper le circuit du thermostat en déclenchant le disjoncteur. Le disjoncteur peut être réenclenché en insérant un crayon ou une tige en bois dans l'orifice du couvercle. Remarque : Aucun couvercle n'est présent sur le modèle T-20X2.

NE PULVÉRISEZ PAS D'AÉROSOLS À PROXIMITÉ DE CETTE MACHINE lorsque celle-ci est en fonctionnement.

CETTE MACHINE NE DOIT PAS ÊTRE UTILISÉE POUR SÉCHER DES SOLVANTS OU DES LIQUIDES DE NETTOYAGE À SEC.

CARACTÉRISTIQUES TECHNIQUES

Sécheuse commerciale superposée 20 lb (9,1 kg) : T-20X2 – DC20X2N_-15EC_X (60 Hz), DC20X2N_-39AC_X (50 Hz)

Hauteur du châssis (En considérant un ajustement minime des pattes de mise à niveau)	68 1/2 po	1 740 mm
Largeur du châssis	27 po	686 mm
Profondeur du châssis	44 5/8 po	1 133 mm
Distance entre le sol et la porte (sécheuse inférieure)	8 1/2 po	216 mm
Distance entre le sol et la porte (sécheuse supérieure)	42 po	1 067 mm
Ouverture de la porte	18 1/8 po	460 mm
Capacité de poids à sec	20 x 2 lb	9,1 x 2 kg
Diamètre du cylindre	25 1/2 po	648 mm
Profondeur du cylindre	24 po	610 mm
Volume du cylindre	7 pi ³	198 litres
Zone du filtre à charpie	285 po ²	1 839 cm ²
Entrée de gaz (par sécheuse, 60 Hz)	56 000 BTU/h	16,4 kW
Entrée de gaz (par sécheuse, 50 Hz)	47 000 BTU/h	13,8 kW
Raccordement gaz	1/2 po	12,7 mm
Approvisionnement en gaz naturel (colonne d'eau)	5-8 po	127-203 mm
Collecteur du brûleur à gaz naturel (Colonne d'eau 60 Hz)	3,5 po	88,9 mm
(Colonne d'eau 50 Hz)	3,5 po	88,9 mm
Approvisionnement en GPL (colonne d'eau)	11,5-13,5 po	292-343 mm
Pression du collecteur du brûleur GPL (Colonne d'eau 60 Hz)	11 po	279 mm
(Colonne d'eau 50 Hz)	11 po	254 mm
Taille de l'évacuation	8 po	203 mm
Air d'appoint Exemple : 1 pi ³ = 1 pi de longueur x 1 pi de largeur	1 pi ³	929 cm ²
Taille du moteur (par sécheuse)	1/3 HP	0,248 kW
Flux d'air (par sécheuse, 60 Hz)	370 pi ³ /min	10,5 m ³ /min
Flux d'air (par sécheuse, 50 Hz)	300 pi ³ /min	8,5 m ³ /min

Caractéristiques électriques – 120/60/1

Tension/Hz/Phase	120 V/60 Hz/Monophasé
Courant de fonctionnement	7,8
Courant disjoncteur	20
Taille des câbles	12 AWG (2,4 mm)
Raccordement électrique	2 câbles + terre

Caractéristiques électriques – -208-240/60/1

Tension/Hz/Phase	208-240 V/60 Hz/Monophasé
Courant de fonctionnement	3,8
Courant de protection du circuit	15
Taille des câbles	12 AWG (2,4 mm)
Raccordement électrique	2 câbles + terre

Caractéristiques électriques – 230/50/1

Tension/Hz/Phase	230 V/50 Hz/Monophasé
Courant de fonctionnement	6,6
Courant de protection du circuit	15
Taille des câbles	12 AWG (2,4 mm)
Raccordement électrique	2 câbles + terre

Poids d'expédition	650 lb	295 kg
Poids net	615 lb	279 kg
Écart min. derrière les machines	18 po	457 mm

CARACTÉRISTIQUES TECHNIQUES

Sécheuse commerciale superposée 30 lb (9,1 kg) : T-30X2 – DC30X2N_-15EC_X (60 Hz), DC30X2N_-39AC_X (50 Hz)

Hauteur du châssis (En considérant un ajustement minime des pattes de mise à niveau)	76 1/4 po	1 937 mm
Largeur du châssis	31 1/2 po	800 mm
Profondeur du châssis	49 1/2 po	1 257 mm
Distance entre le sol et la porte (sécheuse inférieure)	7 5/8 po	194 mm
Distance entre le sol et la porte (sécheuse supérieure)	45 1/4 po	1 149 mm
Ouverture de la porte	22 5/8 po	575 mm
Capacité de poids à sec	30 x 2 lb	13,6 x 2 kg
Diamètre du cylindre	30 po	762 mm
Profondeur du cylindre	27 1/2 po	699 mm
Volume du cylindre	11,25 pi ³	319 litres
Zone du filtre à charpie	453 po ²	2 923 cm ²
Entrée de gaz (par sécheuse, 60 Hz)	90 000 BTU/h	26,4 kW
Entrée de gaz (par sécheuse, 50 Hz)	74 000 BTU/h	21,7 kW
Raccordement gaz	1/2 po	12,7 mm
Approvisionnement en gaz naturel (colonne d'eau)	5-8 po	127-203 mm
Collecteur du brûleur à gaz naturel (Colonne d'eau 60 Hz)	3,5 po	88,9 mm
(Colonne d'eau 50 Hz)	3,4 po	86,4 mm
Approvisionnement en GPL (colonne d'eau)	11,5-13,5 po	292-343 mm
Pression du collecteur du brûleur GPL (Colonne d'eau 60 Hz)	11 po	279 mm
(Colonne d'eau 50 Hz)	10 po	254 mm
Taille de l'évacuation	8 po	203 mm
Air d'appoint Exemple : 1,5 pi ³ = 1 pi de longueur x 1,5 pi de largeur	1,5 pi ³	1 394 cm ²
Taille du moteur	1/2 HP	0,373 kW
Flux d'air (60 Hz)	600 pi ³ /min	17 m ³ /min
Flux d'air (50 Hz)	500 pi ³ /min	14,2 m ³ /min

Caractéristiques électriques – 120/60/1

Tension/Hz/Phase	120 V/60 Hz/Monophasé
Courant de fonctionnement	8
Courant disjoncteur	20
Taille des câbles	12 AWG (2,4 mm)
Raccordement électrique	2 câbles + terre

Caractéristiques électriques – -208-240/60/1

Tension/Hz/Phase	208-240 V/60 Hz/Monophasé
Courant de fonctionnement	5
Courant de protection du circuit	15
Taille des câbles	12 AWG (2,4 mm)
Raccordement électrique	2 câbles + terre

Caractéristiques électriques – 230/50/1

Tension/Hz/Phase	230 V/50 Hz/Monophasé
Courant de fonctionnement	10
Courant de protection du circuit	15
Taille des câbles	12 AWG (2,4 mm)
Raccordement électrique	2 câbles + terre

Poids d'expédition	750 lb	340 kg
Poids net	699 lb	317 kg
Écart min. derrière les machines	18 po	457 mm

CARACTÉRISTIQUES TECHNIQUES

Sécheuse commerciale superposée 50 lb (9,1 kg) : T-50X2 – DC50X2N_-15EC_X (60 Hz), DC50X2N_-49AC_X (50 Hz)

Hauteur du châssis	79 1/4 po	2 012 mm
(En considérant un ajustement minime des pattes de mise à niveau)		
Largeur du châssis	34 1/2 po	876 mm.
Profondeur du châssis	54 3/4 po	1 391 mm
Distance entre le sol et la porte (sécheuse inférieure)	7 po	178 mm
Distance entre le sol et la porte (sécheuse supérieure)	46 po	1 168 mm
Ouverture de la porte	25 5/8 po	651 mm
Capacité de poids à sec	50 x 2 lb	22,7 x 2 kg
Diamètre du cylindre	32 1/2 po	826 mm
Profondeur du cylindre	33 po	838 mm
Volume du cylindre	15,84 pi ³	448 litres
Zone du filtre à charpie	544 po ²	3 510 cm ²
Entrée de gaz (par sécheuse, 60 Hz)	108 000 BTU/h	31,7 kW
Entrée de gaz (par sécheuse, 50 Hz)	96 500 BTU/h	28,3 kW
Raccordement gaz	1/2 po	12,7 mm.
Approvisionnement en gaz naturel (colonne d'eau)	5-8 po	127-203 mm
Collecteur du brûleur à gaz naturel		
(Colonne d'eau 60 Hz)	3,5 po	88,9 mm
(Colonne d'eau 50 Hz)	3,5 po	88,9 mm
Approvisionnement en GPL (colonne d'eau)	11,5-13,5 po	292-343 mm
Pression du collecteur du brûleur GPL		
(Colonne d'eau 60 Hz)	11 po	279 mm
(Colonne d'eau 50 Hz)	10 po	254 mm
Taille de l'évacuation	8 po	203 mm
Air d'appoint	1,5 pi ³	1 394 cm ²
Exemple : 1,5 pi ³ = 1 pi de longueur x 1,5 pi de largeur		
Taille du moteurs	3/4 HP	0,560 kW
Flux d'air (60 Hz)	650 pi ³ /min	18,4 m ³ /min
Flux d'air (50 Hz)	510 pi ³ /min	14,4 m ³ /min

Caractéristiques électriques – 120/60/1

Tension/Hz/Phase	120 V/60 Hz/Monophasé
Courant de fonctionnement	20
Courant disjoncteur	30
Taille des câbles	10 AWG (2,95 mm)
Raccordement électrique	2 câbles + terre

Caractéristiques électriques – -208-240/60/1

Tension/Hz/Phase	208-240 V/60 Hz/Monophasé
Courant de fonctionnement	10
Courant disjoncteur	20
Taille des câbles	12 AWG (2,95 mm)
Raccordement électrique	2 câbles + terre

Caractéristiques électriques – 240/50/1

Tension/Hz/Phase	240 V/50 Hz/Monophasé
Courant de fonctionnement	10
Courant disjoncteur	20
Taille des câbles	12 AWG (2,95 mm)
Raccordement électrique	2 câbles + terre

Poids d'expédition	917 lb	416 kg
Poids net	857 lb	389 kg
Écart min. derrière les machines	18 po	457 mm

CARACTÉRISTIQUES TECHNIQUES

Sécheuse commerciale superposée 50 lb (22,7 kg) : T-50x2 à tambour réversible DC50X2N_-11EC_R (60 Hz), DC50X2N_-49AC_R (50 Hz)

Hauteur du châssis (En considérant un ajustement minime des pattes de mise à niveau)	79 1/4 po	2 012 mm
Largeur du châssis	34 1/2 po	876 mm
Profondeur du châssis	54 3/4 po	1 391 mm
Distance entre le sol et la porte (sécheuse inférieure)	7 po	178 mm
Distance entre le sol et la porte (sécheuse supérieure)	46 po	1 168 mm
Ouverture de la porte	25 5/8 po	651 mm
Capacité de poids à sec	50 x 2 lb	22,7 x 2 kg
Diamètre du cylindre	32 1/2 po	826 mm
Profondeur du cylindre	33 po	838 mm
Volume du cylindre	15,84 pi ³	448 litres
Zone du filtre à charpie	544 po ²	3 510 cm ²
Entrée de gaz (par sécheuse, 60 Hz)	108 000 BTU/h	31,7 kW
Entrée de gaz (par sécheuse, 50 Hz)	96 500 BTU/h	28,3 kW
Raccordement gaz	1/2 po	12,7 mm
Approvisionnement en gaz naturel (colonne d'eau)	5-8 po	127-203 mm
Collecteur du brûleur à gaz naturel (Colonne d'eau 60 Hz)	3,5 po	88,9 mm
(Colonne d'eau 50 Hz)	3,5 po	88,9 mm
Pression en GPL (colonne d'eau)	11,5-13,5 po	292-343 mm
Pression du collecteur du brûleur GPL (Colonne d'eau 60 Hz)	11 po	279 mm
(Colonne d'eau 50 Hz)	10 po	254 mm
Taille de l'évacuation	8 po	203 mm
Air d'appoint Exemple : 1,5 pi ² = 1 pi de longueur x 1,5 pi de largeur	1,5 pi ²	1 394 cm ²
Tailles du moteur	1/2 & 2 H.P.	0,373 & 1,492 kW
Flux d'air (60 Hz)	650 pi ³ /min	18,4 m ³ /min
Flux d'air (50 Hz)	510 pi ³ /min	14,4 m ³ /min

Caractéristiques électriques - 208-240/60/1

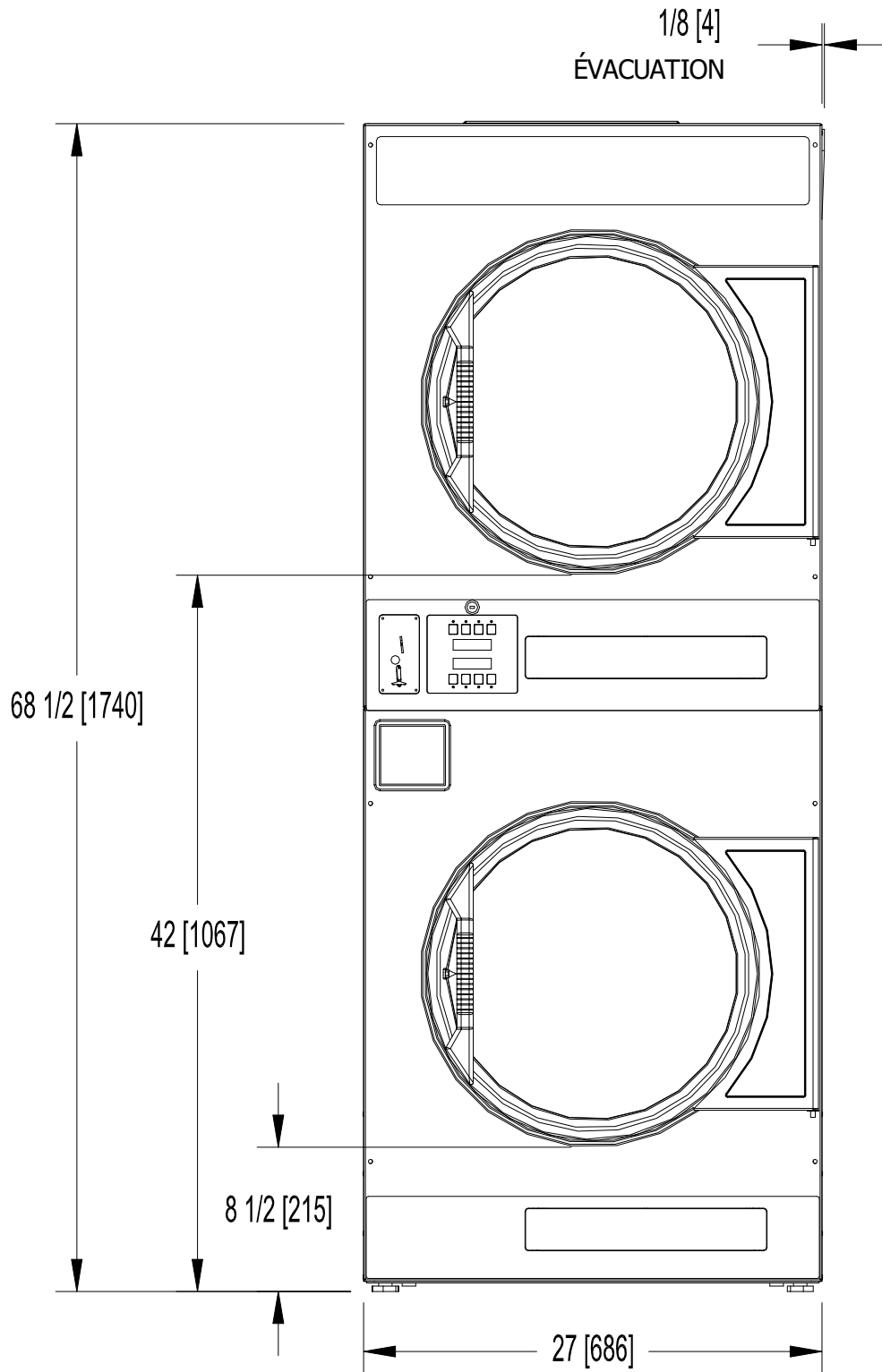
Tension/Hz/Phase	208-240 V/60 Hz/Monophasé
Courant de fonctionnement	15
Courant de protection du circuit	20
Taille des câbles	12 AWG
Raccordement électrique	2 câbles + terre

Caractéristiques électriques – 240/50/1

Tension/Hz/Phase	240V/50Hz/Monophasé
Courant de fonctionnement	15
Courant de protection du circuit	20
Taille des câbles	3,5 mm ²
Raccordement électrique	2 câbles + terre

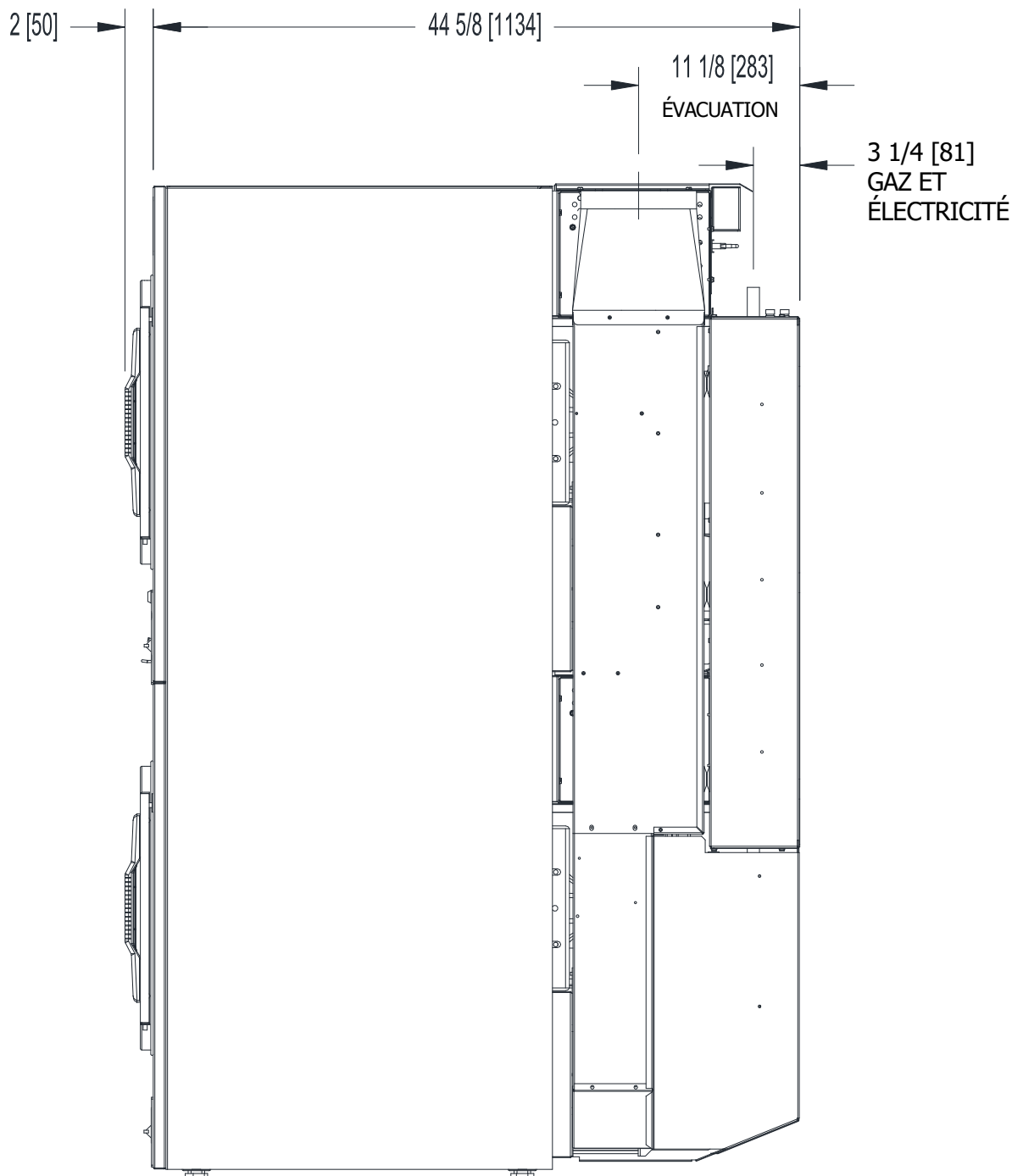
Poids d'expédition	917 lb	416 kg
Poids net	857 lb	389 kg
Écart min. derrière les machines	18 po	457 mm

DIMENSIONS DE LA SÈCHEUSE T-20X2 – VUE DE FACE



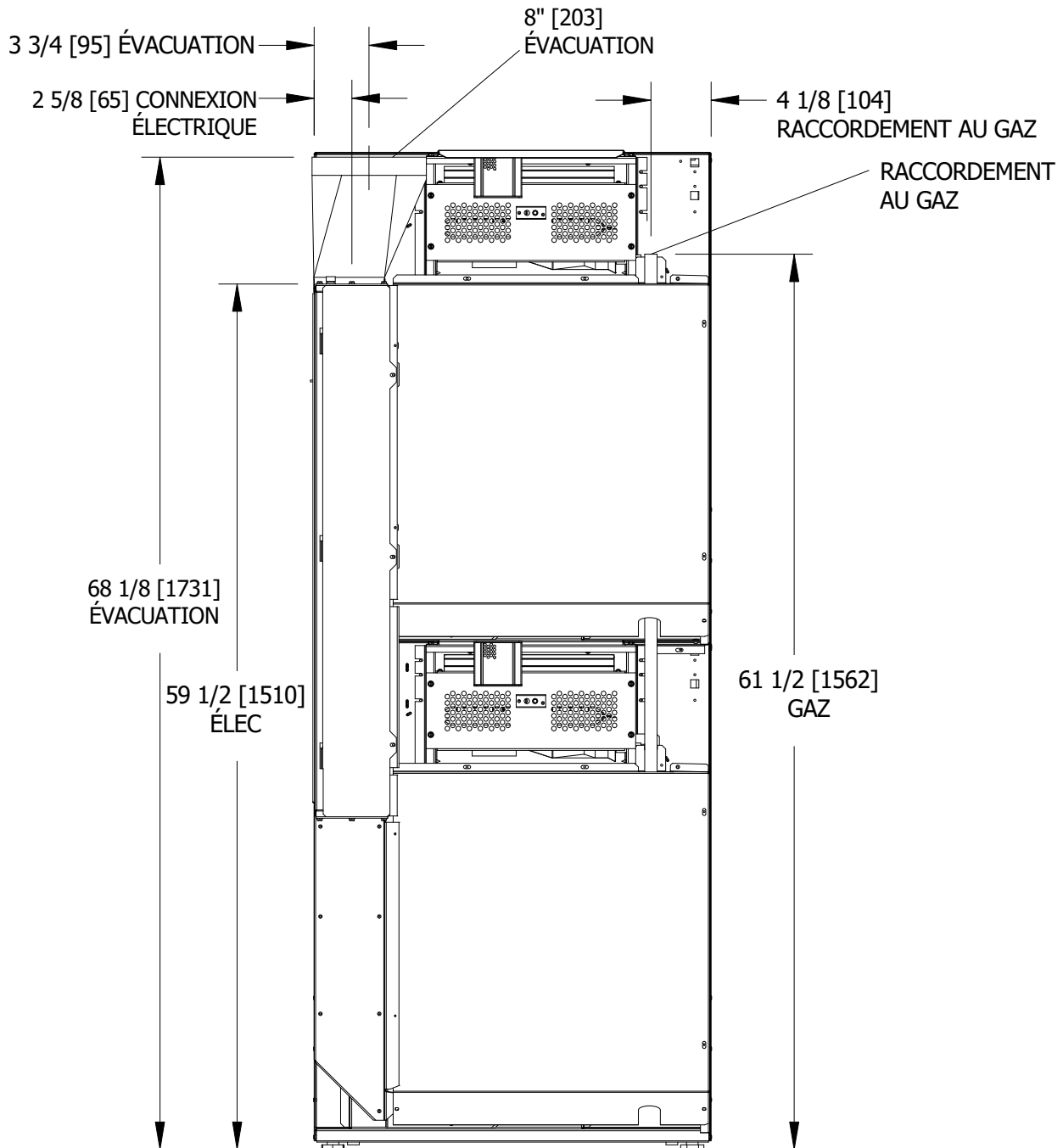
LES DIMENSIONS SONT EN POUCES (MILLIMÈTRES)

DIMENSIONS DE LA SÈCHEUSE T-20X2 – VUE DE CÔTÉ



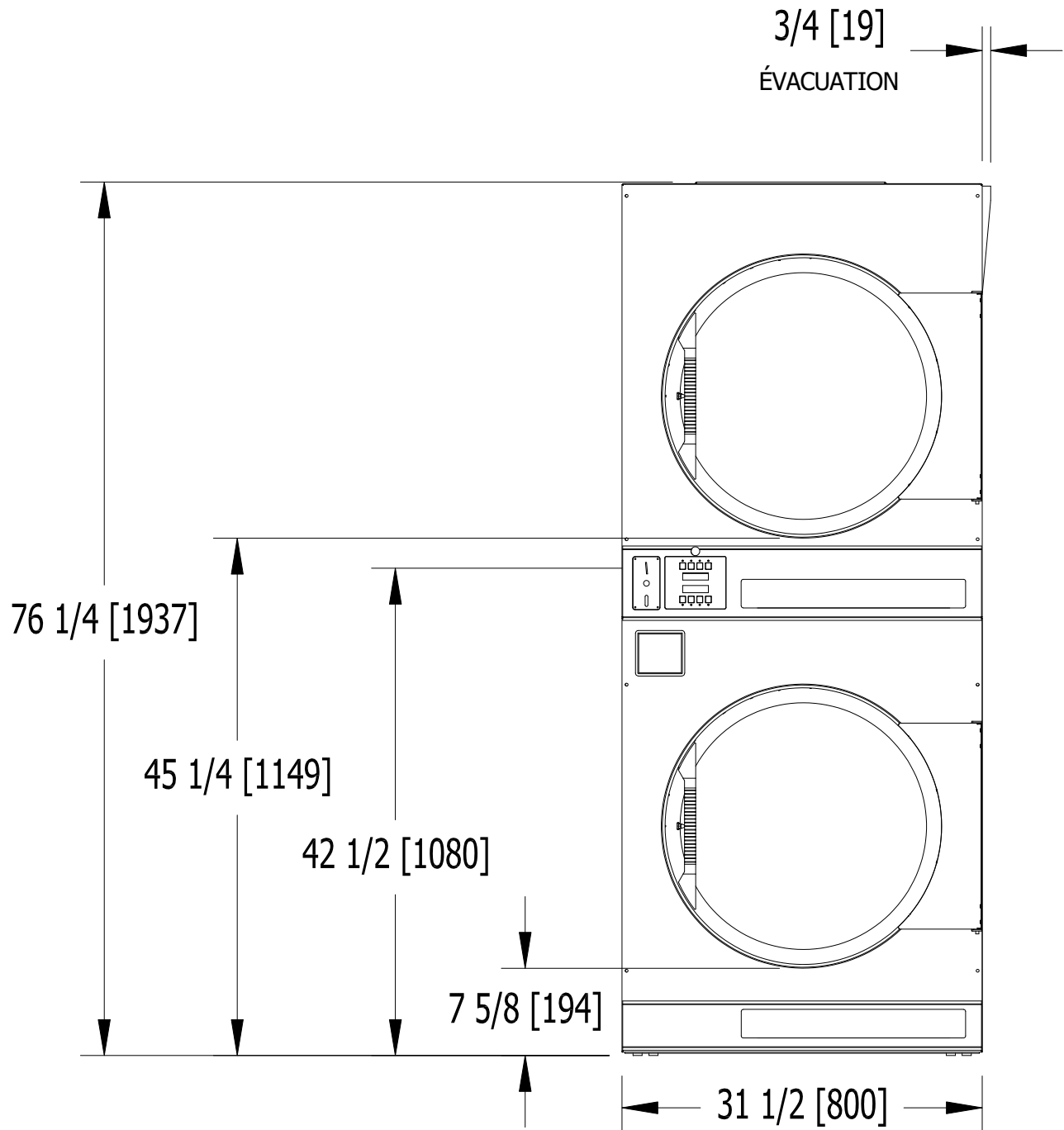
LES DIMENSIONS SONT EN POUCES (MILLIMÈTRES)

DIMENSIONS DE LA SÈCHEUSE T-20X2 – VUE DE DERRIÈRE



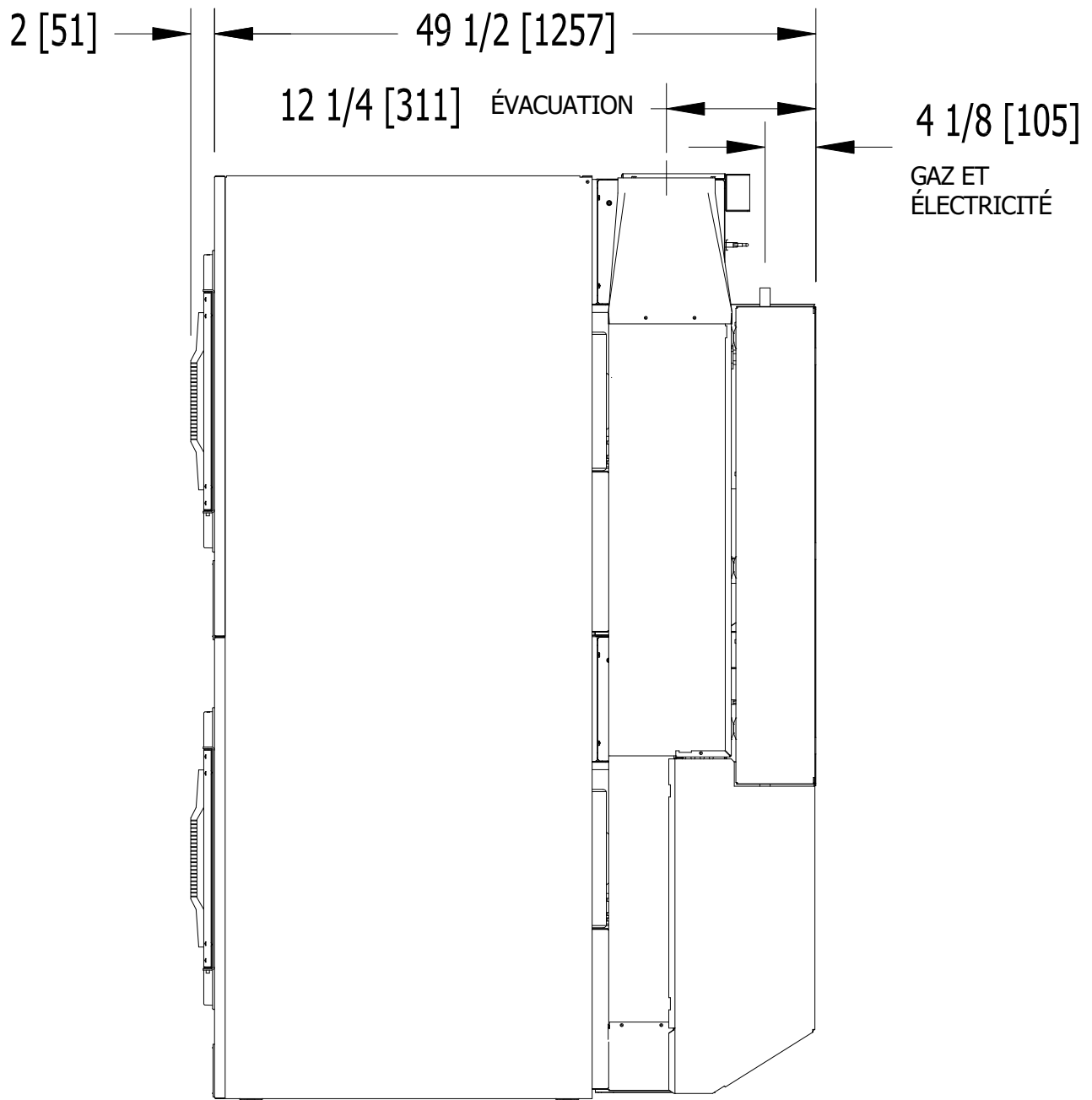
LES DIMENSIONS SONT EN POUCES (MILLIMÈTRES)

DIMENSIONS DE LA SÉCHEUSE T-30X2 – VUE DE FACE



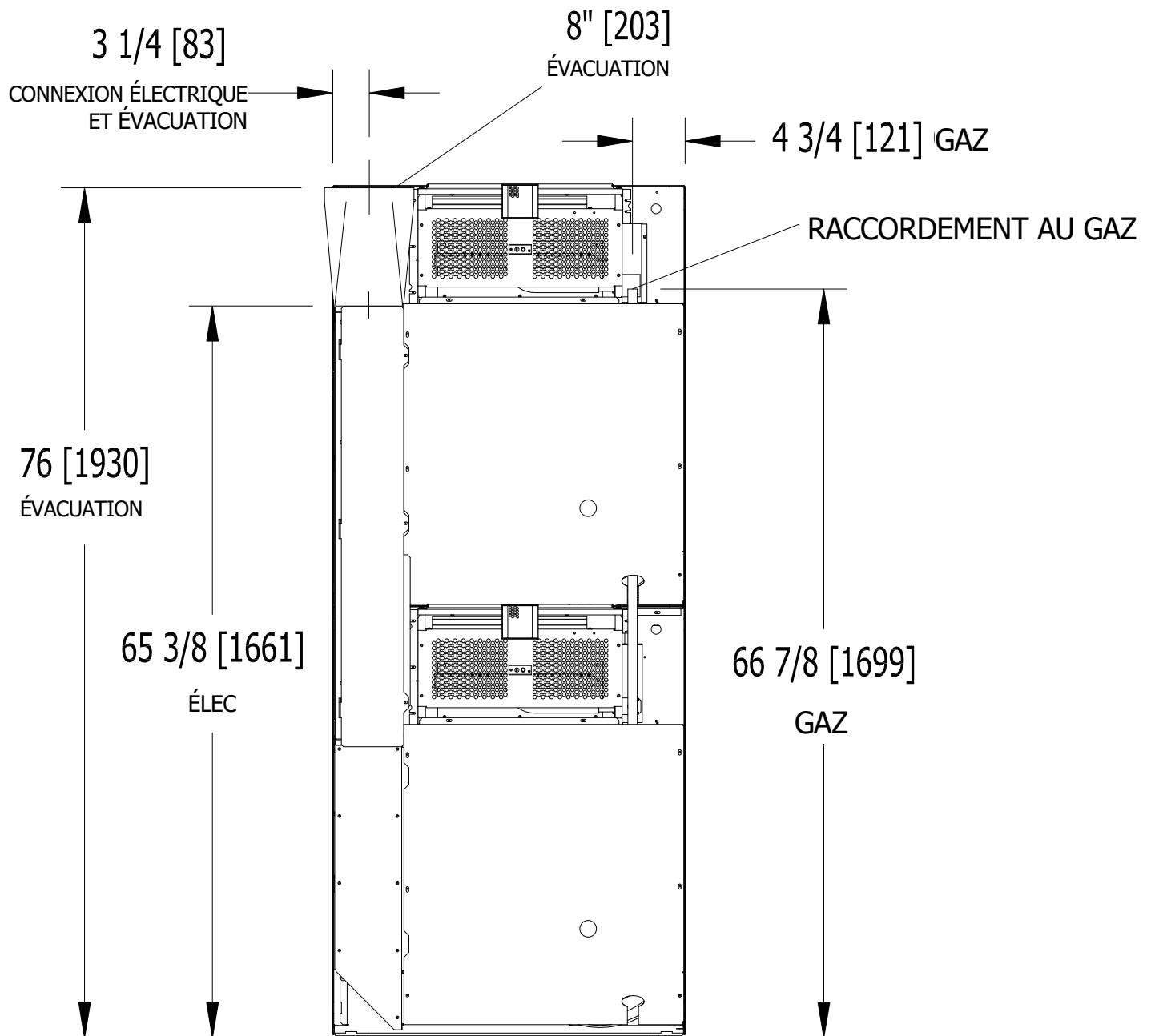
LES DIMENSIONS SONT EN POUCES (MILLIMÈTRES)

DIMENSIONS DE LA SÉCHEUSE T-30X2 – VUE DE CÔTÉ



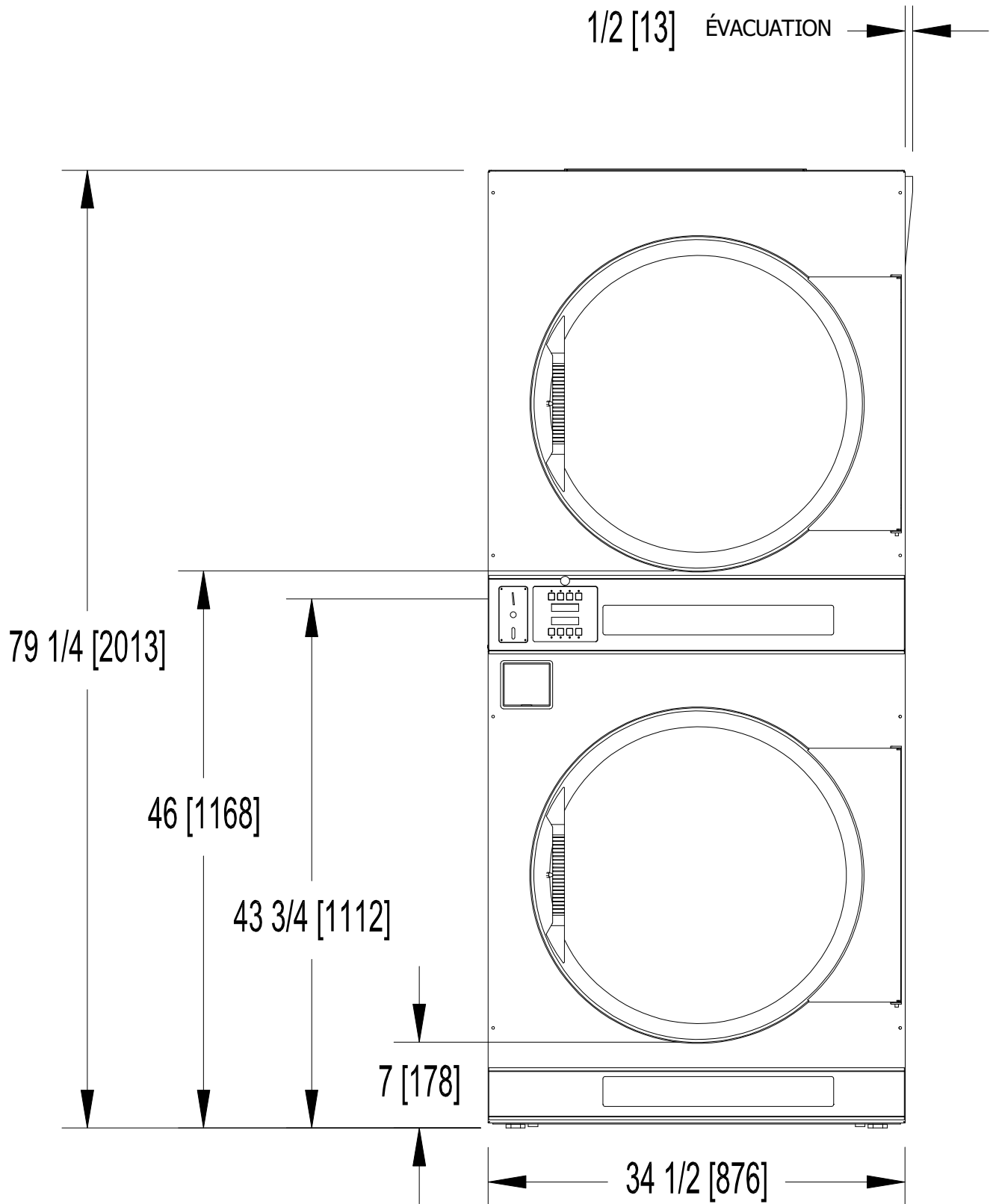
LES DIMENSIONS SONT EN POUCES (MILLIMÈTRES)

DIMENSIONS DE LA SÈCHEUSE T-30X2 – VUE DE DERRIÈRE



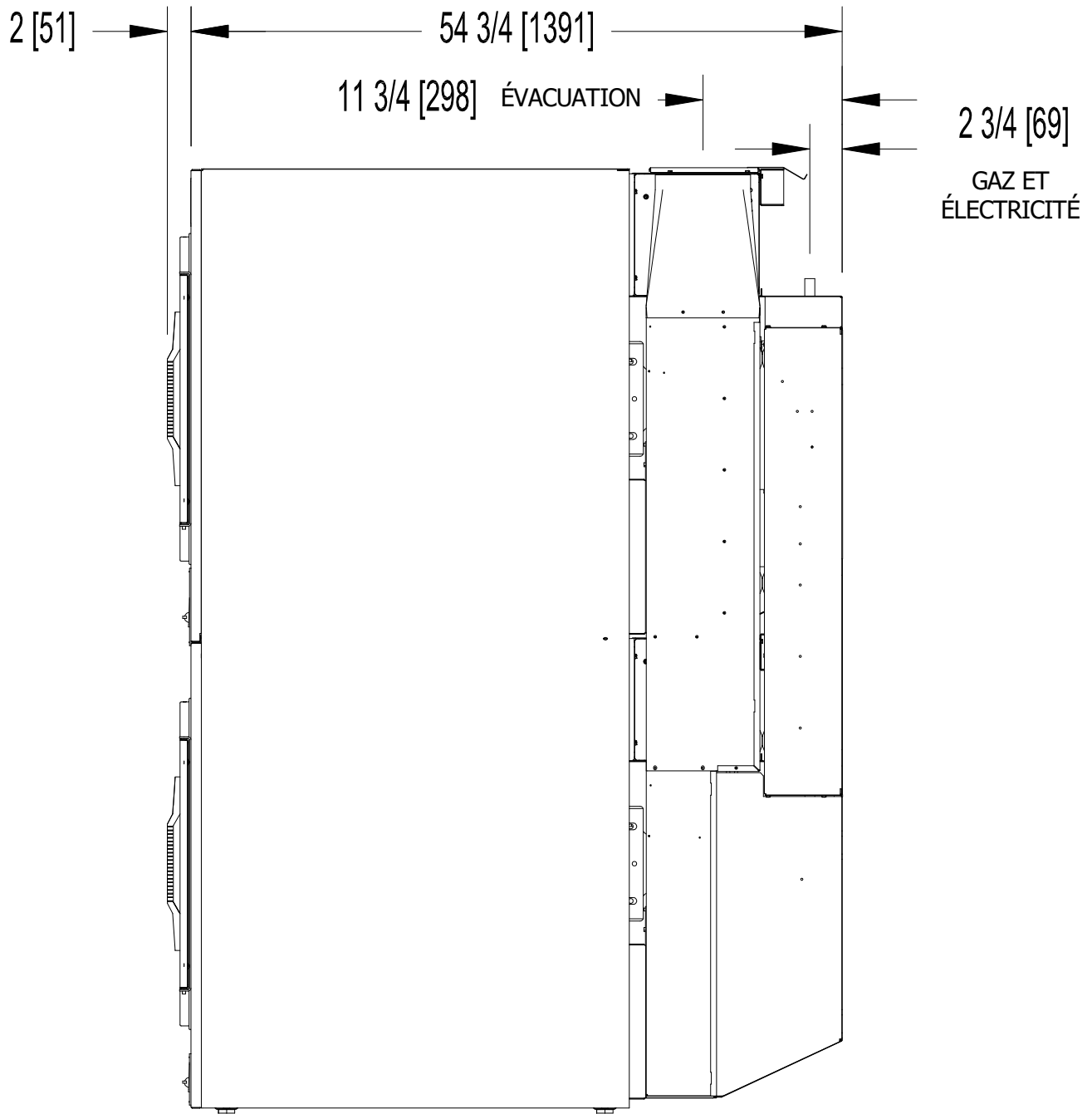
LES DIMENSIONS SONT EN POUCES (MILLIMÈTRES)

DIMENSIONS DE LA SÈCHEUSE T-50X2 – VUE DE FACE



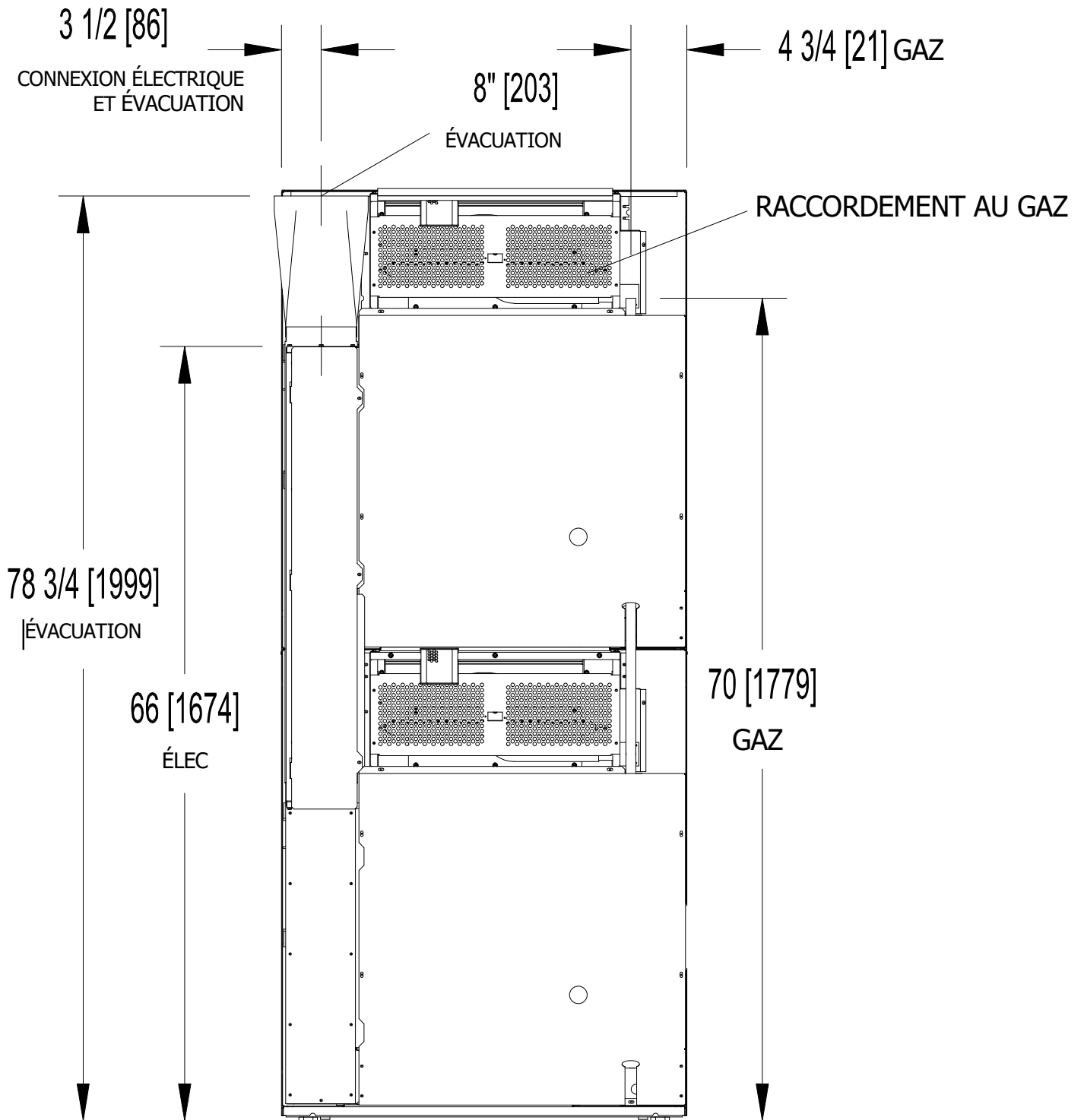
LES DIMENSIONS SONT EN POUCES (MILLIMÈTRES)

DIMENSIONS DE LA SÈCHEUSE T-50X2 – VUE DE CÔTÉ



LES DIMENSIONS SONT EN POUCES (MILLIMÈTRES)

DIMENSIONS DE LA SÈCHEUSE T-50X2 – VUE DE DERRIÈRE



LES DIMENSIONS SONT EN POUCES (MILLIMÈTRES)

INSTRUCTIONS D'INSTALLATION

DÉBALLAGE ET MISE EN PLACE DE LA SÉCHEUSE

Outils requis : Douille hexagonale de 3/4 po (19 mm) et clé à cliquet, bloc de bois de 4 po (100 mm) ou 5 po (125 mm) d'épaisseur, couteau et pince multiprise disposant d'une ouverture de 1 3/8 po (35 mm).

1. Retirez et jetez l'emballage.
2. La palette est fixée à la sécheuse à l'aide de quatre (4) vis à tête, serrées vers le haut depuis le dessous de la palette. Pour retirer la palette de la sécheuse, faites basculer la sécheuse sur le côté et placez le bloc de bois sous le rail de la palette, au centre de la sécheuse. À l'aide d'une clé à cliquet et d'une douille hexagonale de 3/4 po (19 mm), retirez et mettez de côté les deux (2) boulons d'emballage situés sur la partie latérale surélevée. Retirez le bloc du dessous de la palette. Répétez l'opération pour l'autre côté. Conservez les boulons afin de les réutiliser si la sécheuse doit être à nouveau déplacée.
3. Avec un mouvement de marche, déplacez la sécheuse pour la retirer complètement de la palette. Conservez la palette afin de la réutiliser si la sécheuse doit à nouveau être déplacée.
4. Faites glisser la machine jusqu'à l'emplacement où elle doit être installée. À l'aide de la pince multiprise, ajustez les pattes de mise à niveau afin d'aligner la sécheuse avec les unités adjacentes.

Remarque : Si la sécheuse doit être à nouveau déplacée, elle doit être remontée sur la palette et les boulons d'emballage doivent être réinsérés et serrés, dans l'ordre inverse des instructions ci-dessus.

INSTALLATION DE LA SÉCHEUSE

1. **CONFORMITÉ AU CODE** : Toutes les installations de sécheuses commerciales doivent se conformer aux codes locaux ou, en cas d'absence de ces derniers, à la dernière édition du National Fuel Gas Code ANSI Z223.1. Les installations canadiennes doivent se conformer au Code d'installation pour appareils fonctionnant à gaz et matériel connexe Standard CAN/CGA-B149 (.1 ou .2) en vigueur, ainsi qu'aux codes locaux, le cas échéant. Les installations australiennes doivent se conformer aux exigences d'installation et de taille de tuyaux du Code AS/NZA 5601. Une fois installée, la machine doit être raccordée à la terre en conformité avec la dernière édition du Code national de l'électricité, ANSI/NFPA70 ou, lorsqu'elle est installée au Canada, au Code électrique canadien Standard CSA C22.1, Partie 1.

La machine ne doit pas être installée derrière une porte verrouillable, une porte coulissante ou une porte dont la charnière se situe à l'opposé de la sécheuse, de telle sorte que l'ouverture complète de la porte de la sécheuse serait impossible.

2. **ÉCARTS D'INSTALLATION** : L'unité peut être installée dans une alcôve aux écarts suivants :
 - I. Côté gauche 0 po (0 cm)
 - II. Côté droit 0 po (0 cm)
 - III. Arrière 18 po (457 mm) (Certifié pour un écart de 1 po (25 mm) ; toutefois, un écart de 18 po (457 mm) est nécessaire à l'arrière afin de permettre l'entretien et la maintenance.)
 - IV. Avant 48 po (1 220 mm) (pour permettre l'utilisation de la sécheuse)
 - V. Dessus Consultez la figure intitulée « Dimensions d'écart vertical ».
AB. La certification permet un dégagement de 0 po (0 cm) pour la charpente murale du haut jusqu'à 18 po (456 mm) à l'arrière de l'avant.
Toutefois, il est nécessaire de laisser un écart de 1/4 po (6 mm) afin de pouvoir déplacer la sécheuse.
C. Un écart de 10 po (250 mm) est nécessaire au-dessus à tous les autres points.
 - VI. Plancher Cette unité peut être installée sur un plancher combustible.

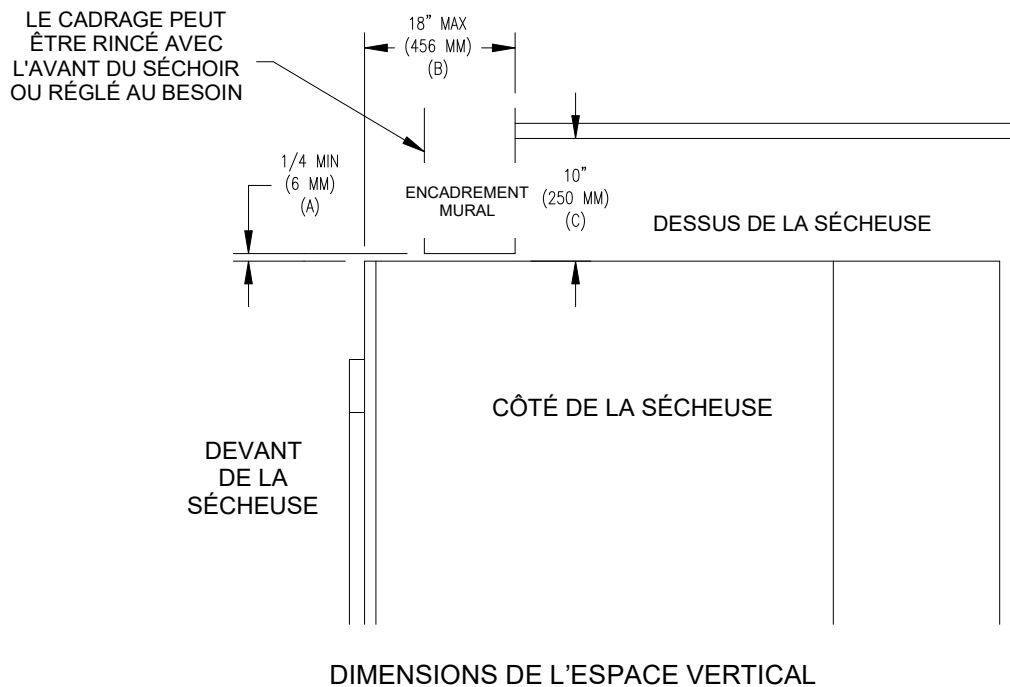
N'obstruez pas le flux de combustion et d'air de ventilation.

Maintenez un écart minimum de 1 po (25 mm) entre le tuyau et le matériau combustible.

Consultez l'étiquette apposée sur la protection arrière de la sécheuse pour plus de renseignements d'installation et d'instructions de démarrage.

3. **AIR D'APPOINT** : Un air d'appoint adéquat doit être fourni afin de remplacer l'air évacué par les sécheuses sur tous les types d'installations. Consultez les spécifications pour connaître l'ouverture

minimum d'air d'appoint vers l'extérieur requise pour chaque sècheuse. C'est une exigence nette de surface effective. Les filtres, grilles ou persiennes qui restreindront le débit d'air doivent être pris en considération. Consultez le fournisseur afin de déterminer la surface libre équivalente pour la grille utilisée. La source d'air d'appoint doit être située à distance suffisante des sècheuses afin de permettre un débit d'air homogène vers les entrées d'air de toutes les sècheuses. Plusieurs ouvertures doivent être fournies.



Les sources d'air d'appoint et de circulation d'air de ventilation de la pièce vers toutes les sècheuses doivent être situées à distance de tous les nettoyeurs à sec. Cela est nécessaire afin que les vapeurs de solvants ne soient pas aspirées dans les conduits d'entrée de la sècheuse. Les vapeurs de solvants des nettoyeurs à sec se décomposent en contact avec une flamme nue telle que la flamme de gaz des sècheuses à vêtements. Les produits de décomposition sont hautement corrosifs et endommageront les conduits des sècheuses et les brassées de vêtements.

Le fonctionnement de cette machine peut affecter le fonctionnement d'autres types d'appareils à gaz, dont l'air servant à assurer une combustion sécurisée provient de la même pièce. Il est nécessaire d'assurer une ventilation adéquate afin d'éviter tout refoulement de gaz par les autres appareils situés dans la pièce. Tous les autres appareils à gaz doivent être testés avec la sècheuse Dexter en fonctionnement, portes et fenêtres fermées. En cas de doute, communiquez avec le fabricant de l'appareil.

4. **EXIGENCES ÉLECTRIQUES** Les exigences électriques nécessaires pour faire fonctionner l'unité de manière satisfaisante sont énumérées sur la plaque signalétique située sur le panneau arrière de chaque sècheuse et dans la section Caractéristiques techniques de ce manuel. Le raccordement électrique doit être fait au bornier, à l'arrière de l'unité. Il est absolument nécessaire de mettre la sècheuse à la terre en la raccordant à une terre connue. Un disjoncteur individuel est nécessaire pour chaque sècheuse superposée. Les modèles de sècheuse -15 sont configurés en 120 V avant leur expédition. Ils peuvent être convertis en 208-240 V selon les besoins. Les instructions pour effectuer cette conversion se trouvent à la fin de ce manuel.

L'installateur doit fournir un interrupteur d'alimentation permettant d'interrompre les deux lignes électriques. Vos codes locaux ou nationaux peuvent imposer l'installation d'un interrupteur électrique visible et accessible depuis la pièce dans laquelle la sècheuse est installée. Le diagramme de câblage est situé à l'arrière de la porte du boîtier de contrôle, à l'arrière de la sècheuse.

IMPORTANT : SUPPRESSEURS DE SURTENSION TRANSITOIRE

Comme la plupart des appareils électriques, votre nouvelle machine peut être endommagée ou sa durée de vie écourtée par des surtensions dues à des éclairs qui ne sont pas couvertes par la garantie d'usine. Les problèmes de distribution électrique locaux peuvent également avoir un effet néfaste sur la durée de vie des composants électriques. Nous conseillons l'installation de suppressesurs de surtension transitoire pour votre nouvelle machine. Ces dispositifs peuvent être placés au panneau d'alimentation électrique pour l'ensemble de l'installation et ne nécessitent pas de dispositif individuel pour chaque machine. Ces dispositifs antisurtension permettent de protéger la machine contre les grands pics de tension, ainsi que les petits pics qui se produisent quotidiennement. Ces plus petites surtensions peuvent réduire la durée de vie générale des composants électriques et causer une défaillance ultérieure. Bien qu'ils ne puissent pas protéger contre tous les événements, ces dispositifs de protection ont une bonne réputation pour rallonger significativement la durée de vie utile des composants électriques. Les composants électriques ont tendance à disposer d'une plus longue durée de vie utile lorsqu'ils sont alimentés par une source électrique stable et propre.

Ci-joint les noms et les numéros de téléphone de quelques fournisseurs de tels dispositifs pour ceux qui ne disposent pas actuellement d'une source.

<u>FABRICANT</u>	<u>CONTACT</u>	<u>TÉLÉPHONE</u>
Innovative Technology, Inc	Usine	1-800-647-8877 ou www.itvss.com
EFI Electronics Corporation	Usine Distributeur – Surge Pro	1-800-877-1174 ou www.efinet.com 1-877-233-0153
MCG Surge Protection	Usine	1-800-851-1508 ou www.mcgsurge.com
Advanced Protection Technologies Inc.	Usine	1-800-237-4567 ou info@apttvss.com

5. **EXIGENCES DE GAZ** Les exigences de gaz complètes nécessaires pour faire fonctionner la sécheuse de manière satisfaisante sont énumérées sur la plaque signalétique située sur le panneau arrière de la sécheuse et dans la section Caractéristiques techniques de ce manuel. Le raccord d'alimentation en gaz de l'unité dispose d'un filetage de 1/2 po (12,7 mm). Toutefois, la taille du tuyau d'alimentation de la sécheuse doit être déterminée conformément au National Fuel Gas Code ANSI Z223.1A et aux recommandations du fournisseur de gaz local.

Il est conseillé d'installer un robinet d'arrêt de gaz individuel pour chaque sécheuse, ce qui peut être requis par le Code local (non fourni).

Un mastic de jointement résistant à l'action des gaz de pétrole liquéfiés doit être utilisé pour effectuer les raccords de tuyau.

Tous les raccords de tuyaux doivent être vérifiés avec une solution savonneuse pour s'assurer qu'ils ne fuient pas. Ne vérifiez jamais avec une flamme nue.

Un té de purge doit être installé sur la tuyauterie de gaz entrant dans l'unité afin de piéger la saleté et les autres matériaux étrangers.

Un port de test fileté NPT de 1/8 po (3,2 mm) accessible pour le raccord de test de jauge doit être installé immédiatement en amont du raccord d'alimentation de gaz à la sécheuse pour vérifier la pression d'alimentation. Testez et réglez la pression d'alimentation pour garantir la conformité avec la spécification indiquée sur la plaque signalétique.

La pression d'alimentation de gaz naturel conseillée est de 7 pouces de colonne d'eau (17,8 cm) à chaque sécheuse.

Un port de test fileté NPT de 1/8 po (3,2 mm) est connecté à l'extrémité du collecteur du brûleur pour en vérifier la pression. Vérifiez et réglez la soupape de régulation de gaz de la sécheuse lorsque le brûleur

est en marche, afin de garantir la conformité avec la spécification de la pression du collecteur indiquée sur la plaque signalétique.

Après le test, veillez à remettre les bouchons NPT de 1/8 po (3,2 mm) sur le collecteur et au port de test des conduites d'alimentation à l'aide d'un mastic à joint avant d'utiliser la sécheuse.

Pour les altitudes supérieures à 2 000 pieds (610 m), il est nécessaire de réduire l'entrée BTU. Communiquez avec votre distributeur local pour obtenir des instructions.

Des trousseaux de conversion GPL sont disponibles pour cette sécheuse. Communiquez avec votre distributeur local.

MISE EN GARDE : La sécheuse doit être déconnectée du système de tuyauterie d'alimentation de gaz lors de tout essai de pression de ce système. N'exposez pas la valve de contrôle de gaz de la sécheuse à la pression d'essai.

6. **INSTALLATION DE L'ÉVACUATION** L'évacuation des sécheuses doit être planifiée et fabriquée de manière à éviter toutes restrictions d'air. Toute restriction due à la taille des tuyaux ou au type d'installation peut causer des temps de séchage allongés, une chaleur excessive et la présence de charpie dans la pièce.

D'un point de vue opérationnel, une évacuation incorrecte ou inadéquate peut causer la fermeture du thermostat de limite supérieure, entraînant la fermeture des brûleurs principaux et un séchage inefficace.

Le raccord du tuyau d'évacuation près du dessus du séchoir est conçu pour un tuyau rond de 8 po (200 mm). Il est conseillé d'installer une évacuation individuelle pour chaque sécheuse. Toute la chaleur, l'humidité et les charpies doivent être évacuées vers l'extérieur en raccordant un tuyau du bon diamètre aux colliers adaptateurs de la sécheuse et en le faisant passer à travers un mur donnant sur l'extérieur. Ce tuyau doit être lisse à l'intérieur, car les surfaces rugueuses ont tendance à amasser les charpies, ce qui finit par boucher le conduit et empêche l'évacuation adéquate de la sécheuse. Tous les coudes doivent être lisses à l'intérieur. Tous les joints doivent être réalisés de manière à ce que l'évacuation d'un tuyau soit à l'intérieur du tuyau suivant en aval. L'ajout d'un tuyau d'évacuation a tendance à réduire la quantité d'air pouvant être évacuée par le ventilateur. Cela n'a pas d'effet néfaste sur le fonctionnement de la sécheuse si l'on reste dans les limites pratiques. Pour un fonctionnement optimal, il est conseillé d'utiliser au maximum 14 pi (4,25 m) de tuyau droit de 8 po (20,3 cm) de diamètre et deux coudes à angle droit pour chaque cylindre.

Maintenez un écart minimum de 1 po (25 mm) entre le tuyau et le matériau combustible.

Si le tuyau d'évacuation passe à travers un mur, un manchon métallique d'un diamètre légèrement plus grand doit être installé dans le mur et le tuyau d'évacuation doit passer à travers ce manchon. Cette pratique est requise par certains codes locaux et est conseillée dans tous les cas afin de protéger le mur.

Ce type d'installation doit prévoir un moyen d'empêcher la pluie et les vents forts d'entrer dans l'évacuation lorsque la sécheuse n'est pas en fonctionnement. Un capot muni d'une charnière à ressort peut être utilisé à cette fin. Une autre méthode consiste à orienter la sortie du tuyau vers le bas afin d'empêcher l'entrée de pluie ou de vent. Dans tous les cas, la sortie doit être libre, à une distance minimale de 24 po (610 mm), de tout objet qui pourrait causer une restriction d'air.

N'installez jamais de filtre de protection sur la sortie de l'évacuation.

Lors de l'évacuation directe d'une sécheuse vers le haut à travers le toit, la longueur totale du conduit est soumise aux mêmes limites qu'une évacuation à travers un mur. Un capuchon pare-pluie doit être placé au sommet de l'évacuation et ne doit pas être sujet à des obstructions. L'utilisation d'un « toit » conique au sommet du tuyau convient à cette application.

L'évacuation de la sécheuse dans une cheminée ou sous un bâtiment n'est pas permise. Dans les deux cas, il existe un danger d'accumulation de charpies qui peuvent être hautement combustibles.

REMARQUE : L'air ne doit pas être évacué dans un conduit utilisé pour évacuer les fumées dégagées par des appareils utilisant des combustibles gazeux ou d'autres combustibles.

L'installation de plusieurs sècheurs, où un conduit d'évacuation principal est nécessaire, nécessitera les considérations suivantes pour l'installation (voir Figure 3). Les conduits d'évacuation individuels de 200 mm (8 po) de chaque sècheuse doivent entrer dans le conduit d'évacuation principal à un angle de 45 degrés dans le sens du flux d'air d'évacuation.

REMARQUE: N'installez jamais les conduits individuels à angle droit dans le conduit de refoulement principal. Les conduits individuels des sècheurs peuvent entrer par les côtés ou par le bas du conduit de refoulement principal. La figure 3 indique les différents diamètres de conduits principaux ronds à utiliser avec les conduits individuels du sècheur. Le conduit principal peut être rectangulaire ou rond, à condition que le flux d'air soit maintenu. Le total des gaz d'échappement (conduite d'évacuation principale et sortie de la sècheuse) ne doit pas dépasser l'équivalent de 4,25 m (14 pi) et de deux coudes. Le diamètre de la conduite de refoulement principale au dernier sècheur doit être maintenu à la sortie.

REMARQUE: Un conduit de petit diamètre limitera le flux d'air. un conduit de grand diamètre réduira la vitesse de l'air, contribuant tous deux à la formation de peluches. Une porte d'inspection doit être fournie pour le nettoyage périodique du conduit principal.

REMARQUE : La CONTRE-PRESSION STATIQUE maximum doit être de 0,3 po de colonne d'eau (7,6 mm de colonne d'eau) à la sortie arrière de l'évacuation de la sècheuse. Si plusieurs sècheuses sont raccordées au conduit commun, assurez-vous de l'installation correcte du registre antirefoulement.

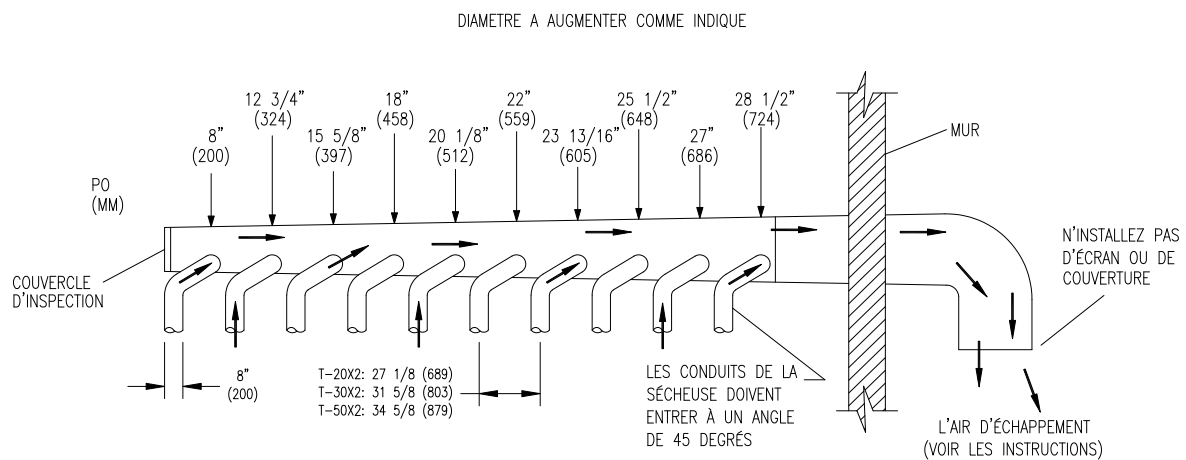


FIGURE 3- Sècheur Épais à l'aide d'un conduit d'évacuation principal

7. ALLUMAGE DE LA SÈCHEUSE (ALLUMAGE TRANSISTORISÉ) : Le système d'allumage transistorisé enflamme le gaz du brûleur principal à l'aide d'étincelles. Le gaz s'enflamme et brûle uniquement lorsque le relais de gaz (situé dans le contrôleur électronique) fait un appel de chaleur. Pour démarrer une sècheuse pour la première fois, procédez comme suit :
 - i. Premièrement, lisez et suivez les « Avertissements relatifs à l'utilisation et au fonctionnement » situés à l'intérieur de la couverture de ce manuel. Assurez-vous que l'alimentation électrique est correctement raccordée. La sècheuse doit être correctement mise à la terre.
 - ii. Assurez-vous que toutes les conduites d'alimentation de gaz sont purgées d'air. Fermez le robinet de gaz principal et attendez cinq minutes avant de le rouvrir.
 - iii. Ouvrez l'interrupteur électrique principal. La sècheuse doit être démarrée conformément aux « Instructions d'utilisation » qui se trouvent dans la suite de ce manuel.
 - iv. Les sècheuses à gaz naturel et à gaz de pétrole liquéfié fonctionnent de la même manière. Lorsque les contacts du relais du robinet de gaz sont fermés (ce qui indique un appel de chaleur), la commande d'allumage transistorisé alimente automatiquement en électricité le robinet de gaz redondant. Les étincelles

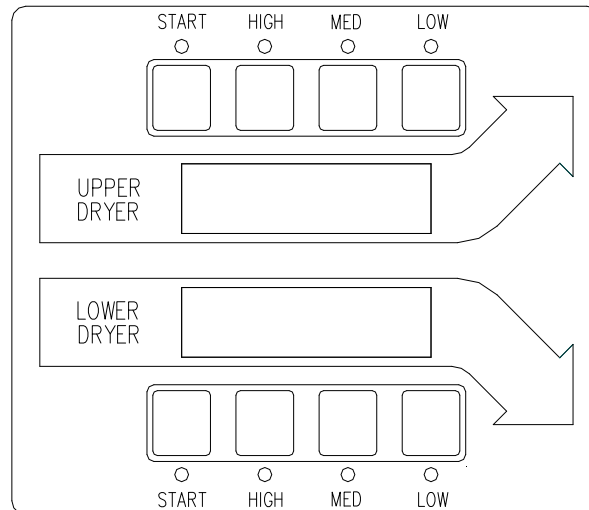
continueront jusqu'à ce qu'une flamme soit détectée par le capteur, mais pas plus de 10 secondes. Si le gaz ne s'enflamme pas au bout de 10 secondes, le robinet de gaz se ferme et le système de gaz s'arrête pour purger le gaz de la partie intérieure de la sécheuse. Après la pause, la commande d'allumage répète le cycle d'essai d'allumage à deux autres reprises. Si le système de gaz ne détecte aucun allumage après les trois tentatives, le système est « verrouillé ». Aucune tentative supplémentaire ne sera effectuée de manière automatique. Vous devez débrancher la commande d'allumage de l'alimentation électrique pour la réinitialiser. Pour ce faire, ouvrez la porte de la sécheuse (celle-ci s'arrête) pendant 15 secondes. Fermez la porte et appuyez sur le bouton « Start » pour répéter le cycle d'essai d'allumage.

8. RÉGLAGE DU BRÛLEUR PRINCIPAL Vous devez régler correctement l'obturateur d'air de chaque brûleur principal pour obtenir un rapport air/gaz approprié. Desserrez la vis de blocage de l'obturateur. Réglez l'obturateur en le fermant suffisamment pour donner une flamme bleue avec un bout jaune. Ouvrez ensuite l'obturateur jusqu'à ce que les bouts jaunes soient réduits au minimum. Après le réglage, fixez solidement chaque obturateur en serrant les vis de blocage.

ARRÊT DE LA SÉCHEUSE

Pour mettre la sécheuse hors service, fermez le robinet de gaz principal et débranchez l'alimentation électrique de la sécheuse.

DESCRIPTION DES COMMANDES DE LA SÉCHEUSE



Les deux sécheuses sont actionnées par le contrôleur situé sur le point médian de la partie gauche de la sécheuse. Le contrôleur est un système deux en un avec l'écran supérieur et les voyants dédiés à la sécheuse supérieure et l'écran inférieur et les voyants dédiés à la sécheuse inférieure.

Une fois l'argent déposé, la commande demande à l'utilisateur de choisir une température de séchage et d'appuyer sur le bouton « Start ». La durée n'est ajoutée que lorsque cela se produit pour la sécheuse supérieure ou inférieure. Si aucune durée achetée n'est disponible sur la commande, le montant demandé s'affiche.

Le programme (température) de séchage sélectionné par l'utilisateur est indiqué par les voyants rouges situés en haut et en bas. Lorsque la sécheuse est en marche, il est possible d'afficher la température de séchage en appuyant simultanément sur le bouton « Start » et sur le bouton de la température sélectionnée.

INSTRUCTIONS D'UTILISATION

DÉMARRAGE DE LA SÉCHEUSE

1. Mettez les vêtements dans la sécheuse supérieure ou inférieure (ou dans les deux). Fermez complètement les portes.

2. Placez les pièces dont le montant équivaut ou est supérieur au montant affiché. La commande demande à l'utilisateur de choisir une température de séchage. La durée n'est ajoutée que lorsque cela se produit pour la sècheuse supérieure ou inférieure.
3. Sélectionnez la température de séchage en appuyant sur le bouton approprié de la sècheuse à utiliser. Le voyant rouge affichant la température sélectionnée s'allume.
4. Appuyez sur le bouton « Start » pour démarrer la sècheuse. La durée de séchage achetée s'affiche.

ACTIONNEMENT DE LA SÈCHEUSE

- Si vous ouvrez la porte, la sècheuse s'arrête. Si le délai n'est pas écoulé, la sècheuse redémarre lorsque vous fermez la porte et appuyez sur le bouton « Start ».
- Il est possible de modifier la température sélectionnée à tout moment (sauf si la fonctionnalité Temperature Pricing est activée).
- Il est possible de prolonger la durée de fonctionnement en mettant des pièces et en appuyant sur le bouton « Start » de la sècheuse appropriée. Sauf si le délai est écoulé, le contrôleur accepte les pièces que leur montant corresponde ou non au montant demandé initialement.
- Si le délai est écoulé, vous devez redémarrer la sècheuse comme si vous commenciez à sécher les vêtements. Vous devez alors insérer un montant qui équivaut au montant demandé ou qui le dépasse.
- Vous devez enlever rapidement les vêtements à la fin du cycle pour qu'ils ne soient pas trop plissés.
- La durée de refroidissement (pouvant être programmée par le propriétaire) fait toujours partie de la durée de cycle pour éviter les dommages dus à la chaleur. Elle est achetée par le client. Par exemple, si la durée de refroidissement est de 2 minutes, aucune chaleur n'est émise lors des 2 dernières minutes du cycle.

PROGRAMMATION DES COMMANDES DE LA SÈCHEUSE

Il est possible de programmer la commande des sècheuses pour demander à l'utilisateur de choisir différents montants et de modifier les durées de cycle, les températures et plusieurs autres options des sècheuses. Cette opération peut être effectuée de deux manières :

1. Programmation manuelle à l'aide des boutons « Start », « High », « Medium » et « Low » de la sècheuse inférieure.
2. Téléchargement d'un fichier utilisateur personnalisable par le biais d'un dispositif USB. Pour savoir comment utiliser la fonctionnalité de téléchargement au moyen d'un dispositif USB, communiquez avec votre distributeur local Dexter ou consultez le site DexterLive.com.

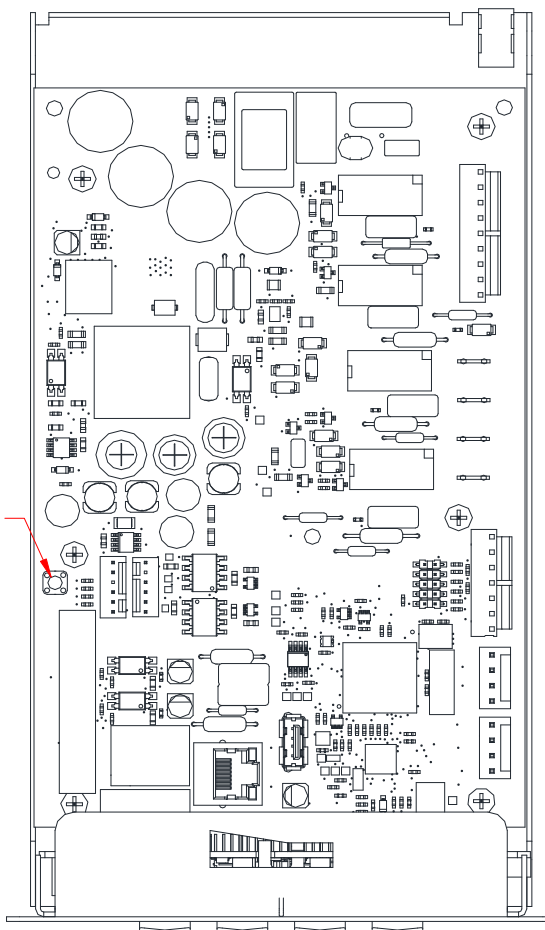
PROGRAMMATION MANUELLE :

Mettez la sècheuse en mode veille pour accéder aux menus de programmation manuelle. En mode veille, la sècheuse n'exécute aucun cycle de séchage de façon active et le montant s'affiche à l'écran (pour les sècheuses supérieure et inférieure).

Pour passer en mode de programmation manuelle, vous devez déverrouiller et retirer le plateau de commande pour accéder au bouton de programmation. Appuyez ensuite sur ce bouton pendant 1 seconde. La commande doit afficher le message « DRYER PROGRAMMING ».

Reportez-vous à la figure ci-dessous pour trouver l'emplacement du bouton de programmation sur le plateau de commande.

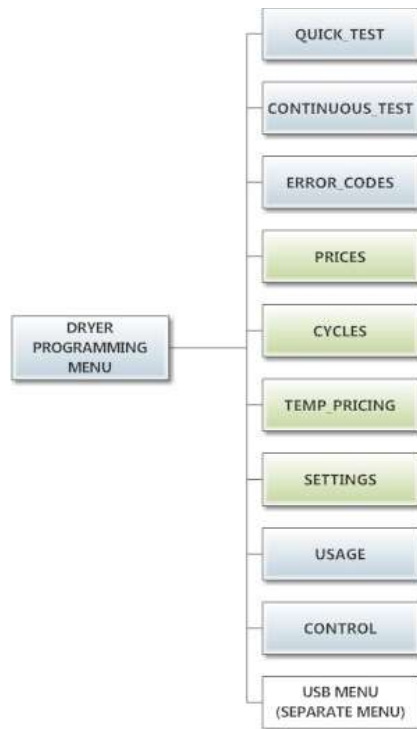
**BOUTON DE
PROGRAMMATION**



Lorsque vous êtes en mode de programmation manuelle, les boutons « Start », « High », « Medium » et « Low » de la sécheuse inférieure exécutent des fonctions alternatives. Notez que les changements effectués à l'aide des boutons de la sécheuse inférieure affectent les sécheuses supérieure et inférieure.

Nom des boutons	Fonction alternative en mode de programmation
Start	Action pour accepter l'option affichée ou la touche « Entrée »
High	Action pour faire défiler les options affichées vers le HAUT (appuyez longuement pour accélérer le défilement)
Medium	Action pour faire défiler les options affichées vers le BAS (appuyez longuement pour accélérer le défilement)
Low	Action pour revenir en arrière (appuyez une fois) ou QUITTER le mode de programmation (appuyez pendant 3 secondes)

Ces fonctions alternatives permettent à l'utilisateur de parcourir un menu d'options pour choisir différents paramètres programmables. La figure ci-dessous présente le menu supérieur. Si vous choisissez une option dans ce menu, le niveau d'options suivant s'affiche (sous-menu).



Option Quick Test :

Lorsque vous choisissez l'option Quick Test, la sècheuse démarre un cycle de séchage raccourci, sans que le montant affiché soit réglé. L'objectif de ce cycle est de tester tous les composants majeurs pour voir s'ils fonctionnent correctement.

Tous les codes d'erreur doivent fonctionner normalement pendant ce test. L'écran doit afficher les invites de la même manière que lors d'un cycle de séchage normal.

Option Continuous Test :

Tout comme pour l'option Quick Test, lorsque vous choisissez l'option Continuous Test, la sècheuse démarre un cycle de séchage, sans que le montant affiché soit réglé. Toutefois, il s'agit d'un cycle continu dans ce cas. Il ne s'arrête pas après une période donnée.

MISE EN GARDE : cette option doit uniquement être utilisée en usine. N'actionnez pas la sècheuse lorsque ce cycle est actif sans l'autorisation de l'usine.

Journal de l'historique des codes d'erreur :

Les quinze derniers codes d'erreur, ainsi que la date et l'heure de leur apparition sont stockés dans la commande. Cette option permet d'examiner uniquement l'historique des occurrences de ces codes (aucun changement ne peut être apporté).

L'heure suit l'horloge en temps réel, mais peut être modifiée lors de la programmation manuelle effectuée par l'utilisateur (option Shift Hours) ou lors du remplacement de l'heure du réseau. À mesure que d'autres codes d'erreur apparaissent, le code le plus ancien parmi les quinze consignés est supprimé de la mémoire.

Option Prices :

Cette option permet à l'utilisateur de définir des valeurs pour les entrées du récepteur de pièces, la durée et le montant demandé, et le prix et la durée de séchage. Elle permet également à l'utilisateur de rétablir les valeurs par défaut. Après avoir modifié les prix à l'aide du bouton « Haut » ou « Bas », appuyez de nouveau sur le bouton « Entrée » pour que la commande enregistre les modifications effectuées. Notez qu'en général, les valeurs de durée sont définies par incrément de 1 minute. Il est possible de les définir par incrément de 30 secondes, en réglant « Display Time » sur « MIN+SEC » (reportez-vous à la section « Paramètres »).

1. « RIGHT COIN » et « LEFT COIN » sont les deux entrées possibles des récepteurs de pièces.
2. « PRICE SET VEND » est le montant de base réel (ou montant demandé A) affiché sur l'écran de la commande. Il est possible d'augmenter la valeur ou de la réduire à « 0 ». Dans ce cas, l'écran affiche « FREE » et le cycle démarre dès que vous appuyez sur le bouton « Start » (sans que le montant demandé soit réglé).
3. « TIME SET VEND » est la durée de cycle proposée au client une fois qu'il a réglé le montant de base.
4. « FREE SET TIME » est la durée de cycle proposée au client si le montant de base est défini sur « FREE ».
5. « EXTEND DRY » définit le prix et la durée de séchage supplémentaires proposés au client après qu'il a réglé le montant de base.

Pour rétablir les entrées par défaut du récepteur de pièces ou le montant par défaut, appuyez sur « Entrée » lorsque l'invite « DEFAULT » s'affiche. Appuyez à nouveau sur « Entrée » lorsque le message « RESET » est affiché pour confirmer l'action.

Par exemple, un propriétaire de magasin a programmé la commande avec les valeurs suivantes :

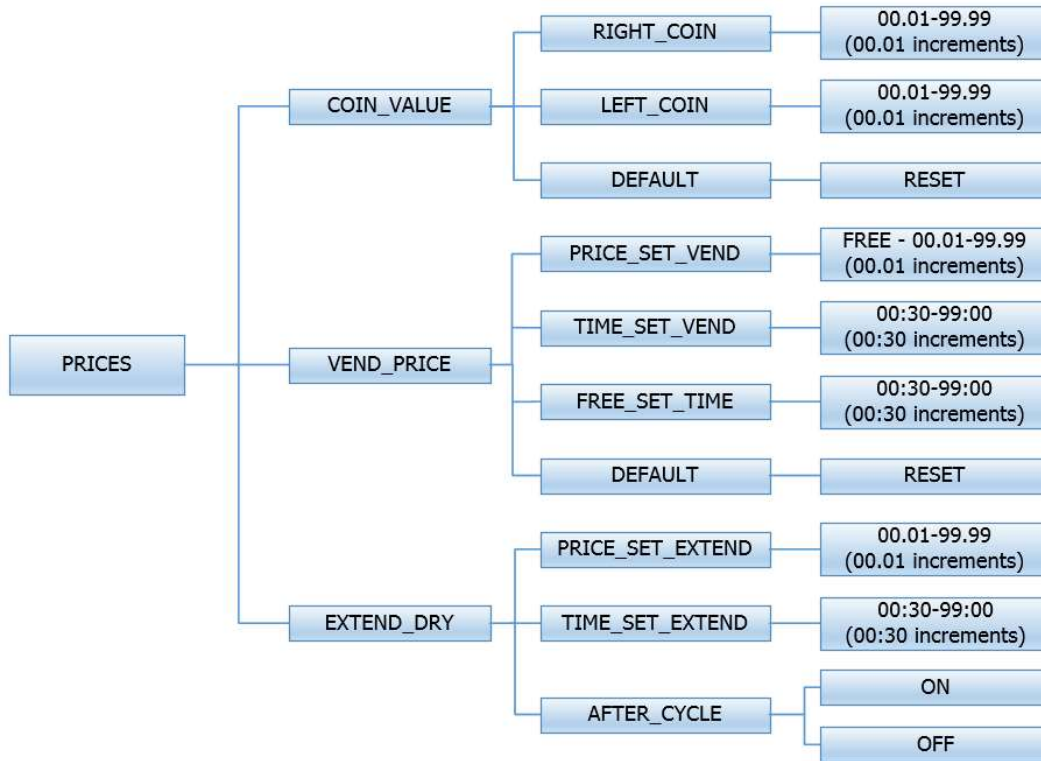
Montant de base	1,00 \$
Durée de base	30 minutes
Prix de séchage supplémentaire	0,25 \$
Durée de séchage supplémentaire	8 minutes

Dans ce cas, le client ajoute 4 pièces de vingt-cinq cents pour atteindre le montant demandé de 1,00 \$. L'écran affiche une durée de séchage de 30 minutes. À ce stade, si le client ajoute une autre pièce de vingt-cinq cents, l'écran affiche une durée de séchage supplémentaire de 8 minutes (38 minutes au total) conformément au prix et à la durée de séchage supplémentaire.

Le client démarre le cycle de séchage et à 25 minutes du cycle (13 minutes affichées), il ajoute une autre pièce de vingt-cinq cents. Le contrôleur ajoute à nouveau 8 minutes à la durée affichée (21 minutes au total) conformément au prix et à la durée de séchage supplémentaire.

« AFTER CYCLE » permet à l'utilisateur de choisir si un client peut ajouter une durée « EXTEND DRY » jusqu'à 30 secondes après l'ouverture de la porte de la sécheuse, à la fin d'un cycle.

La figure ci-dessous affiche les options de sous-menu pour les prix :



Option Cycles :

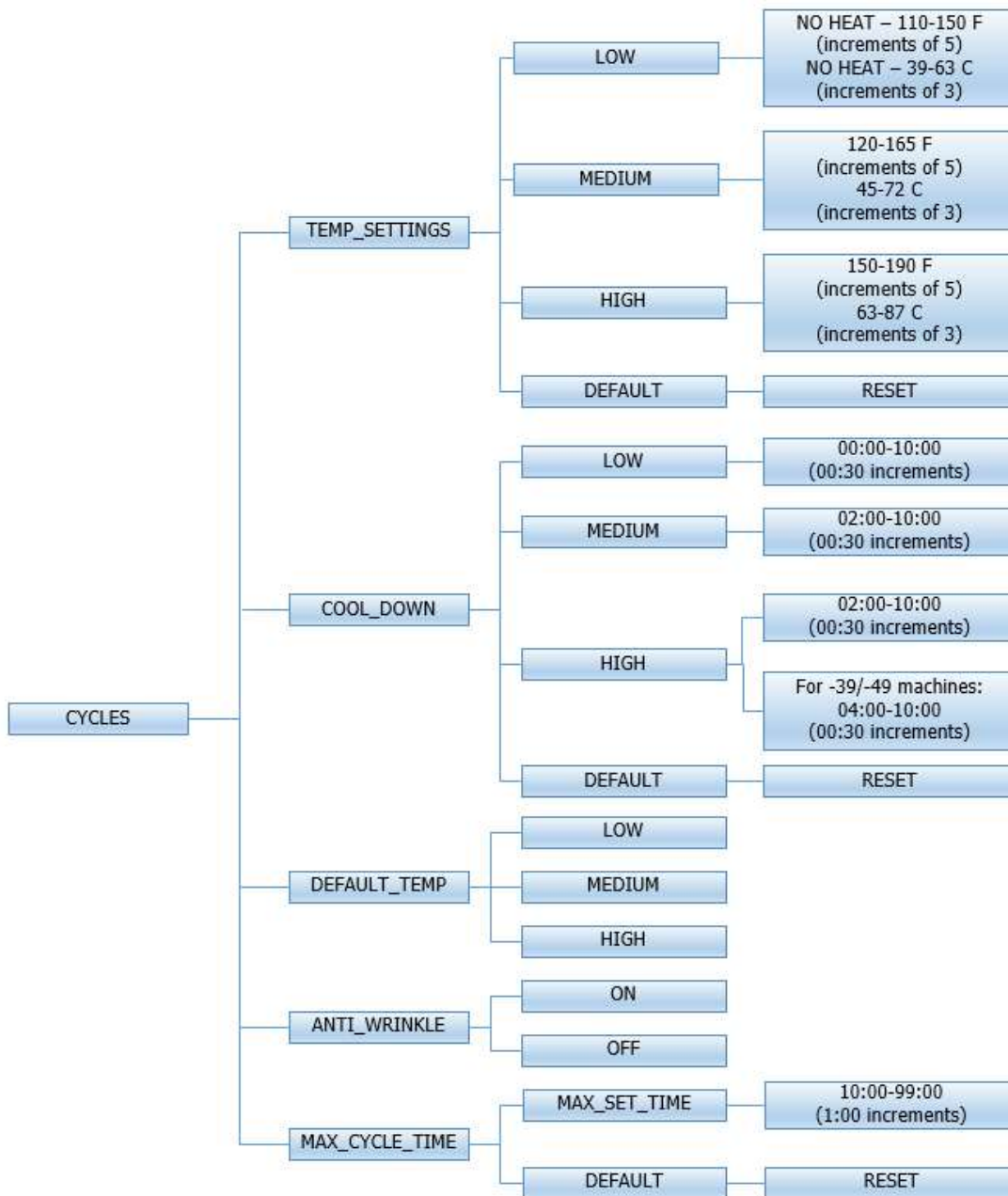
Cette option permet de définir la température et la valeur de refroidissement pour le cycle de séchage.

Elle permet également à l'utilisateur de rétablir les valeurs par défaut.

1. « TEMP SETTINGS » permet à l'utilisateur d'ajuster, dans une plage désignée, la température de cycles pour chacune des options « Low », « Medium » et « High » proposées au client.
2. De plus, l'utilisateur peut diminuer la température du cycle en dessous de 110 °F (43 °C) dans le paramètre « Low ». Dans ce cas, la sècheuse n'ouvrira pas le robinet de gaz lorsque le client sélectionne « Low ». Lorsque cette option est sélectionnée, la température affiche « NO HEAT ».
3. L'option « COOLDOWN » permet à l'utilisateur de modifier la durée déterminée à la fin du cycle lorsque les contacts du robinet de gaz sont fermés. Pour les paramètres de température « High » et « Medium », la durée déterminée ne peut pas être réduite en dessous de deux minutes. Sur le réglage de température « Haute » pour les machines -39/-49, le temps désigné ne peut pas être réduit à moins de quatre minutes.
4. L'option « DEFAULT TEMP » permet à l'utilisateur de sélectionner quel paramètre de température général (entre « High », « Medium » ou « Low ») la commande choisira par défaut au début de chaque cycle si le client ne fait aucun choix.
5. La fonction « ANTI WRINKLE » pivote régulièrement les sècheuses à la fin d'un cycle. Si la porte a été fermée à la fin du cycle et est restée fermée pendant 5 minutes, un son retentit et l'affichage commence à faire défiler le message « ANTI WRINKLE ». Cinq secondes plus tard, le moteur de la sècheuse s'allume pendant 60 secondes, puis s'éteint. Les robinets de gaz ne seront pas ouverts. Le message « ANTI WRINKLE » continue à s'afficher pendant toute la durée de fonctionnement du moteur. L'utilisateur peut choisir d'activer ou de désactiver cette fonction.
6. « MAX CYCLE TIME » permet à l'utilisateur de définir la durée maximale pouvant être achetée pour un cycle. Cela comprend le temps total acheté avant le démarrage du cycle, pendant le cycle et après la fin du cycle.

Pour réinitialiser toutes les valeurs de l'option Cycles par défaut, appuyez sur « Entrée » lorsque le message « DEFAULT » apparaît à l'écran. Appuyez à nouveau sur « Entrée » lorsque le message « RESET » est affiché pour confirmer l'action.

La figure ci-dessous montre les options de sous-menu pour l'option Cycles :



Option Temperature Pricing :

Cette option permet à l'utilisateur d'ajouter des montants supplémentaires en fonction de la température de séchage sélectionnée par le client. Ce supplément ne peut être appliqué que sur le prix de vente de base et n'a aucune incidence sur le prix de séchage supplémentaire. Elle permet de choisir un supplément différent selon si les paramètres de la température sont réglés sur « Medium » ou sur « Hot ».

Exemple : un propriétaire de magasin a programmé la commande comme suit :

Vend Price (Prix de vente)	1,00 \$
Durée facturée	30 minutes
Prix de séchage supplémentaire	0,25 \$
Durée de séchage supplémentaire	8 minutes
Medium Adder (Supplément pour température moyenne)	0,25 \$
Hot Adder (Supplément pour température chaude)	0,50 \$

Dans ce cas, le prix de vente est affiché comme suit :

1 \$ si la température basse est sélectionnée

1,25 \$ si la température moyenne est sélectionnée

1,50 \$ si la température chaude est sélectionnée

Lorsque les suppléments pour l'option Temperature Pricing (tarification en fonction de la température) sont activés (l'utilisateur a sélectionné une valeur supérieure à 0,00 \$), le client ne pourra pas changer la sélection de sa température. Ce qui signifie qu'il ne pourra pas passer d'une température basse à une température élevée durant un cycle de séchage. Les boutons de la température élevée sont désactivés jusqu'à ce que le cycle de séchage soit terminé. Un nouveau prix de vente (« Vend Price ») est alors requis.

La figure ci-dessous montre les options de sous-menu pour l'option Temperature Pricing :



Options Settings :

Les options Settings permettent à l'utilisateur d'effectuer de nombreux changements de programmation afin de modifier les conséquences de l'utilisation des commandes sur l'expérience du client. Vous trouverez ci-dessous plus de renseignements concernant chaque option de niveau supérieur.

1. « Decimal Point » : Si l'utilisateur programme l'option Decimal Point sur « OFF », l'écran de commande n'affichera pas de virgule aux prix de vente. La valeur par défaut est « ON ».
2. « Display Time » : Si l'utilisateur programme cette valeur sur « MIN », seules les minutes seront affichées pour la durée du cycle. Si la valeur est programmée sur « MIN+SEC », alors les minutes et les secondes seront affichées. Cette option permet également d'effectuer d'autres modifications de programmation relatives à la durée, par incréments de minutes ou de minutes et de secondes, au besoin.
3. « Temp Scale » : Si l'utilisateur programme cette valeur sur « F », les températures s'afficheront alors en degrés Fahrenheit. Mais si la valeur est programmée sur « C », alors la température s'affichera en degrés Celsius.
4. « Sounds » : Si l'utilisateur programme les sons sur « OFF », la commande n'émettra aucun son à la fin d'un cycle de séchage. La valeur par défaut est « ON ».
5. « Password » : Si l'utilisateur programme le mot de passe sur une valeur autre que 0000, la commande demande à l'utilisateur de saisir un mot de passe (la valeur programmée) avant d'accéder à la programmation manuelle. La valeur par défaut est « 0000 » (aucun mot de passe).
 - a. Remarque : Si l'utilisateur oublie le mot de passe, il peut réinitialiser le matériel sur les valeurs par défaut (aucun mot de passe) sur la commande. Consultez la section appropriée de ce manuel pour comprendre comment réinitialiser le matériel.
 - b. Utilisez les boutons « Haut » et « Bas » pour modifier les différents chiffres du mot de passe qui clignotent. Une fois que vous avez choisi le chiffre souhaité, appuyez sur « Entrée » pour passer au chiffre suivant. Une fois les quatre chiffres choisis, maintenez enfoncé le bouton « Entrée » pendant trois secondes pour confirmer la configuration du mot de passe complet.
6. « Central Pay » : Si l'utilisateur programme cette valeur sur « ON », les zones d'insertion des pièces de monnaie gauche et droite deviennent les entrées de pièces supérieure et inférieure de la sècheuse.

Central Pay sur « OFF »	Central Pay sur « ON »
Zone d'insertion des pièces à gauche	Zone d'insertion des pièces supérieure
Zone d'insertion des pièces à droite	Zone d'insertion des pièces inférieure

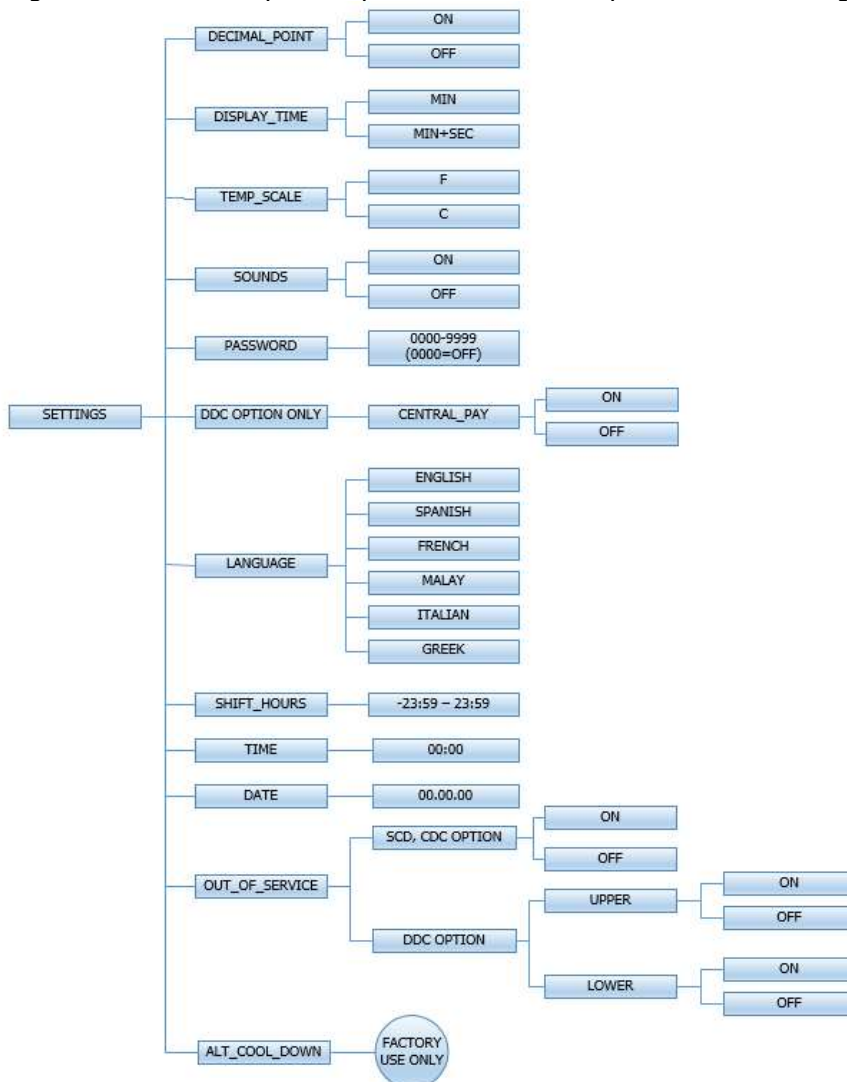
Vous pouvez alors installer un système qui enregistrera les entrées de pièces de monnaie pour chaque sècheuse à distance à partir d'une borne de paiement central. Les prix des pièces insérées à droite et à gauche doivent être programmés de façon adéquate. Lorsque cette option est activée, le contrôleur affiche seulement les messages aux clients pour une sècheuse sélectionnée. La sècheuse sélectionnée est déterminée lorsque les pièces sont insérées dans la borne de paiement central.

7. « Language » : La langue des messages pour les clients de la commande utilisée par défaut est l'anglais. Mais l'utilisateur peut choisir d'afficher les messages des clients en espagnol, en français, en malais, en italien, ou en grec. Toutefois, tous les autres messages, tels que la programmation manuelle, la programmation USB et tous les codes d'erreur sont en anglais.
8. « Shift Hours » : Cette fonction permet à l'utilisateur de passer de l'heure utilisée par la commande en heure conservée en interne par la commande. La commande utilise une horloge en temps réel (HTR) pour suivre en interne la date et l'heure. L'HTR continue de fonctionner même en cas de coupure de l'alimentation de la commande. L'HTR est définie sur l'heure normale du Centre sans le passage à l'heure d'été. Étant donné que la machine peut se trouver dans un autre fuseau horaire, l'utilisateur peut choisir de créer une autre heure et une autre date qui suivent l'HTR en parallèle. Lorsque cette heure alternative est choisie ou modifiée à partir de l'HTR, l'heure alternative sera, par exemple, utilisée pour suivre les occurrences des codes d'erreur et définir les changements de prix par rapport à l'heure du jour.
 - a. Les heures de la fonction « SHIFT HOURS » peuvent être configurées à l'aide des boutons « Haut » et « Bas » pour changer le nombre clignotant. Une fois que vous avez choisi la période horaire désirée, appuyez sur le bouton « Entrée » pour passer aux minutes. Une fois que vous avez choisi les heures et les minutes, le bouton « Entrée » doit être maintenu enfoncé pendant 3 secondes pour confirmer que la durée complète est configurée.
9. « Time » : La commande utilise une horloge en temps réel (HTR) pour suivre en interne la date et l'heure. L'HTR continue de fonctionner même en cas de coupure de l'alimentation de la commande. L'HTR est définie sur l'heure normale du Centre sans le passage à l'heure d'été. Cependant, si un problème survient et l'HTR n'est pas exacte, elle peut être réinitialisée sur l'heure actuelle à l'aide de cette option.

- a. Les heures de la fonction « TIME » peuvent être configurées à l'aide des boutons « Haut » et « Bas » pour changer le nombre clignotant. Une fois que vous avez choisi l'heure désirée, appuyez sur le bouton « Entrée » pour passer aux minutes. Une fois les heures et les minutes choisies, le bouton « Entrée » doit être maintenu pendant 3 secondes pour confirmer la réinitialisation de l'HTR sur l'entrée complète.
10. « Date » : comme pour la fonction « Time », si un problème survient et que la date de l'HTR n'est pas exacte, elle peut être réinitialisée à l'aide de cette option.
- a. Le jour du mois dans « Date » peut être configuré en utilisant les boutons « Haut » et « Bas » pour changer le chiffre clignotant. Une fois que vous avez choisi le jour du mois désiré, appuyez sur le bouton « Entrée » pour passer au mois de l'année. Une fois que vous avez choisi le mois de l'année désiré, appuyez sur le bouton « Entrée » pour passer à l'année. Une fois le jour, le mois et l'année choisis, le bouton « Entrée » doit être maintenu pendant 3 secondes pour confirmer la réinitialisation de l'HTR pour l'entrée complète.
11. « Out of Service » : la commande peut être placée en mode Hors service à l'aide de la programmation manuelle. Lorsque le mode est « ON », la commande va afficher le message « OUT OF SERVICE ». La machine ne réagira à aucune entrée et ne fonctionnera pas dans ce mode. Le réglage par défaut est « OFF ».
12. «Alt Cool Down » : Ce paramètre est destiné à une utilisation en usine uniquement.

Pour réinitialiser toutes les valeurs dans les options Settings en réglages par défaut, appuyez sur « Entrée » lorsque le message « DEFAULT » est affiché. Appuyez à nouveau sur « Entrée » lorsque le message « RESET » est affiché pour confirmer l'action.

La figure ci-dessous indique les options de sous-menu pour le menu Settings :

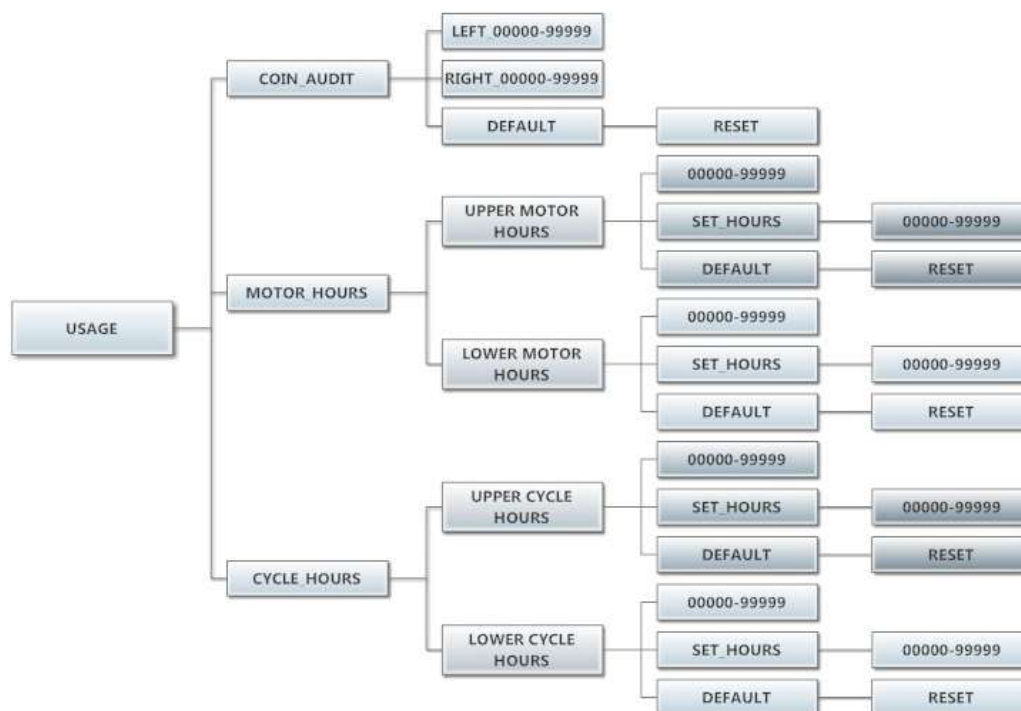


Menu Usage :

Le menu Usage permet à l'utilisateur de surveiller les données sur l'utilisation de la machine. Voir ci-dessous pour des renseignements détaillés sur chaque option du sous-menu.

1. « Coin Audit » : le champ de vérification de la monnaie indique l'accumulation de chaque pièce de monnaie insérée qui est envoyée vers la commande pour chaque entrée de monnaie à droite et à gauche. Veuillez noter que le compte comprend le nombre de pièces insérées et non un rapport accumulé de la valeur de vente.
 - a. L'utilisateur peut également définir les montants de vérification de la monnaie sur le paramètre d'usine par défaut (zéro). Pour réinitialiser toutes les valeurs de vérification de la monnaie, appuyez sur « Entrée » lorsque le message « DEFAULT » est affiché. Appuyez à nouveau sur « Entrée » lorsque le message « RESET » est affiché pour confirmer l'action.
2. « Motor Hours » : le champ des heures de service du moteur indique les heures de fonctionnement accumulées pour le moteur supérieur et inférieur, de façon individuelle. Dans bien des cas, il indiquera les heures de cycle de la machine. Cependant, des champs séparés sont fournis dans l'éventualité où un moteur est remplacé sur une machine. L'utilisateur peut configurer les heures de service du moteur sur un nombre défini. Par exemple, s'il est nécessaire de remplacer la commande sur une machine, la nouvelle commande peut être programmée pour indiquer les heures de service du moteur enregistrées par la commande précédemment installée. Les différents chiffres des heures peuvent être configurés à l'aide des boutons « Haut » et « Bas » pour changer le nombre clignotant. Une fois que vous avez choisi les chiffres désirés pour l'heure, appuyez sur le bouton « Entrée » pour passer au chiffre suivant. Une fois les heures complètes choisies, le bouton « Entrée » doit être maintenu pendant 3 secondes pour confirmer l'action.
 - a. L'utilisateur peut également définir les heures de service du moteur sur le paramètre d'usine par défaut (zéro). Pour réinitialiser les heures de service du moteur, appuyez sur « Entrée » lorsque le message « DEFAULT » est affiché. Appuyez à nouveau sur « Entrée » lorsque le message « RESET » est affiché pour confirmer l'action.
3. « Cycle Hours » : le champ des heures de cycle indique les heures de fonctionnement accumulées pour la sècheuse supérieure et inférieure, de façon individuelle. Dans bien des cas, il correspondra aux heures de service du moteur de la machine. Cependant, des champs séparés sont fournis dans l'éventualité où un moteur est remplacé sur une machine. Voir la description des Heures de service du moteur pour plus de renseignements.

La figure ci-dessous indique les options du sous-menu pour le menu Usage :

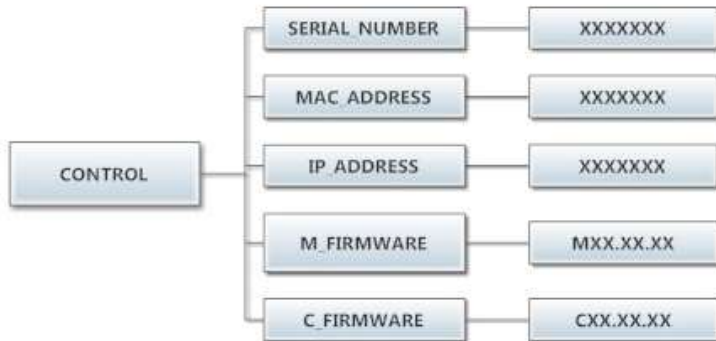


Menu Control :

Le menu Control permet à l'utilisateur d'étudier les renseignements techniques importants concernant la commande. Aucune modification ne peut être effectuée dans ce menu. Voir ci-dessous pour des renseignements détaillés sur chaque sous-menu.

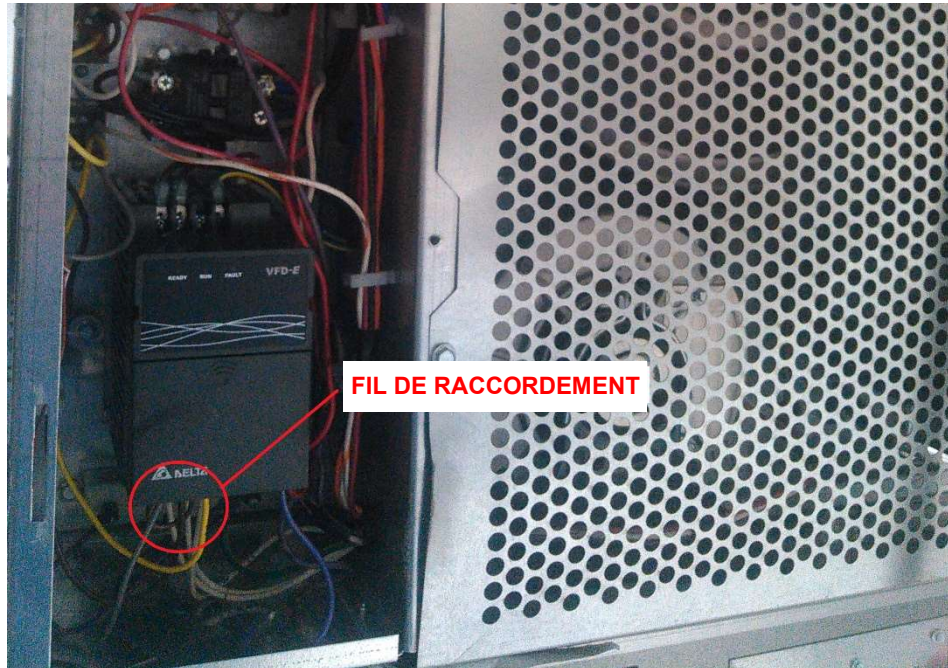
1. « Serial Number » : il s'agit du numéro de série de la commande.
2. « MAC Address » : l'adresse MAC est un identifiant unique conçu pour la commande par le fabricant. Elle permet à la commande d'être reconnue par des routeurs de réseaux.
3. « IP Address » : l'adresse IP est l'identifiant fourni pour la commande par un système de réseau.
4. « M Firmware » : le M Firmware est le micrologiciel principal installé sur la commande.
5. « C Firmware » : le C Firmware est le micrologiciel de communications actuellement installé sur la commande.

La figure ci-dessous indique les options de sous-menu du menu Control :



OPTIONS D'INVERSION (MODÈLE T-50X2 RÉVERSIBLE)

La sécheuse peut être réglée en inversion à différents intervalles en fonction de la préférence du propriétaire. Le style de fonctionnement est déterminé par l'emplacement du fil de raccordement **MARRON**, qui se trouve dans le boîtier de commande arrière, sur l'entraînement à fréquence. (voir l'image pour connaître l'emplacement du cavalier)



STYLE	Fonctionnement de la sécheuse	AVT (s)	RÉV. (s)	Emplacement du cavalier	
				Pos (1)	Pos (2)
1	NON-RÉV.	OUI	NON	DCM	MCM
2	RÉV.	30	30	DCM	MI2
3	RÉV.	60	60	DCM	MI4
4	RÉV.	90	90	DCM	MI5
5	RÉV.	120	120	DCM	MI6

ENTRETIEN ET DÉPANNAGE

MISE EN GARDE : Au moment de l'entretien des commandes, étiquetez tous les fils avant de les débrancher. Des erreurs de câblage peuvent entraîner un fonctionnement inadéquat et dangereux. Assurez-vous que l'appareil fonctionne adéquatement une fois l'entretien terminé.

ATTENTION : Lors des opérations d'entretien des commandes, étiquetez tous les fils avant de les débrancher. Des erreurs de câblage peuvent entraîner un fonctionnement inadéquat.

Si l'un des symptômes suivants se produit sur cette sècheuse, vérifiez les remèdes suggérés énumérés ci-dessous. Si toutes les causes probables ont été éliminées et que le symptôme persiste, communiquez avec votre agent Dexter local pour obtenir une assistance de dépannage supplémentaire. Consultez les renseignements de contact dans la section Entretien préventif. Les manuels de pièces et de service de Dexter sont également disponibles pour une assistance de dépannage supplémentaire.

Symptôme	Cause probable	Remède suggéré
Le tambour ne tourne pas	Commande	Vérifiez que l'écran de commande affiche le temps disponible pour le séchage. Sinon, insérez de l'argent le cas échéant
	Porte de chargement	Vérifiez que la porte de chargement est complètement fermée
	Porte du compartiment à charpie	Vérifiez que la porte du compartiment à charpie est complètement fermée
	Courroies d'entraînement	Vérifiez que les courroies d'entraînement ne sont pas excessivement usées. Remplacez-les si nécessaire
Le tambour tourne, mais aucune flamme de brûleur n'est présente	Robinet de gaz	Assurez-vous que le robinet de gaz est ouvert
	Module d'allumage	Suivez la procédure de vérification du cycle d'allumage énumérée dans la section Allumage de la sècheuse de ce manuel
Séchage lent	Commande	Vérifiez que le bon paramètre de température est sélectionné
	Filtre à charpie	Nettoyez le filtre à charpie
	Restrictions du débit d'air/de l'air d'appoint	Suivez les directives d'installation pour la contre-pression statique et l'air d'appoint.
	Évacuation	Vérifiez que l'évacuation est exempte d'obstructions, suivez les directives d'installation
Code d'erreur « Temp Sensor Short » ou « Temp Sensor Open » affiché sur la commande	Détecteur de température	Appuyez sur le bouton de programmation pour effacer le code d'erreur. Si le code d'erreur persiste, communiquez avec un agent Dexter pour obtenir de l'aide
Code « PCB Error » ou « Comm Error » affiché sur la commande	Erreur liée à la commande	Mettez la sècheuse hors tension puis sous tension pour effacer le code d'erreur. Si le code d'erreur persiste, communiquez avec un agent Dexter pour obtenir de l'aide

INSTRUCTIONS D'ENTRETIEN PRÉVENTIF

CHAQUE JOUR

1. Nettoyez le filtre à charpie. Utilisez une brosse souple si nécessaire.
2. Vérifiez que le filtre à charpie est exempt de déchirures. Remplacez-le si nécessaire.
3. Éliminez les charpies du compartiment du filtre à charpie.
4. Inspectez le joint en feutre sur le filtre à charpie. Remplacez-le si nécessaire.

CHAQUE MOIS

1. Retirez l'accumulation de charpie des tulipes d'extrémité des moteurs.
2. Éliminez l'accumulation de charpie de la zone de commande avant.
3. Éliminez l'accumulation de charpie et de saleté du dessus de la sècheuse et de toutes les zones supérieures, inférieures et autour des brûleurs et du carter du brûleur. Tout manquement à la propreté de ces zones de la sècheuse peut entraîner une accumulation de charpie qui crée un risque de feu.

CHAQUE TRIMESTRE

1. Vérifiez que les courroies ne sont pas desserrées, usées ni effilochées.
2. Vérifiez que le joint de la porte en verre n'est pas excessivement usé.
3. Vérifiez que toutes les attaches maintenant les pièces sont bien serrées au canal de support.
4. Vérifiez que toutes les vis sont bien serrées.
5. Vérifiez que les aubes du moteur sont bien fixées au moyeu.
6. Retirez l'assemblage du commutateur de débit d'air et vérifiez que les boulons traversants du tambour sont bien serrés.
7. Graissez les goupilles de pivot et les bras de tension au niveau de leurs points de contact (le cas échéant).

DEUX FOIS PAR AN

1. Retirez et nettoyez les brûleurs principaux.
2. Retirez tous les trous et vérifiez l'absence de saleté et d'obstructions.
3. Éliminez toute accumulation de charpie. Retirez le panneau avant et le boîtier du filtre à charpie et éliminez l'accumulation de charpie.
4. Appliquez quelques gouttes d'huile à chaque entretoise de l'assemblage du bras de tension (le cas échéant).

CHAQUE ANNÉE

1. Vérifiez que les roulements de la poulie intermédiaire ne sont pas usés.
2. Vérifiez et éliminez toute accumulation de charpie du système d'évacuation.
3. Graissez les roulements et l'arbre de la poulie d'entraînement intermédiaire. Utilisez un pistolet graisseur Alemite et de la graisse Molykote BR2-S (le cas échéant).

PIÈCES DE RECHANGE

	<u>NUMÉRO DE PIÈCE</u>			
	T-20X2	T-30X2	T-50X2	T-50X2 REV
COURROIE D'ENTRAÎNEMENT, MOTEUR	9040-076-012	9040-077-001	9040-076-009	---
COURROIE D'ENTRAÎNEMENT, TAMBOUR	9040-073-013	9040-073-009	9040-073-011	9040-076-003
FILTRE À CHARPIE	9555-057-011	9555-057-002	9555-057-008	9555-057-008

Pour obtenir des renseignements relatifs à l'entretien et aux pièces, communiquez avec votre agent Dexter local. Pour trouver votre agent Dexter local, utilisez la fonction de localisation de revendeur du site web affiché ci-dessous. Si aucun agent Dexter n'est disponible, communiquez directement avec **Dexter Laundry, Inc.** par l'un des moyens énumérés ci-dessous :

Adresse postale : 2211 West Grimes Avenue
Fairfield, IA 52556
États-Unis

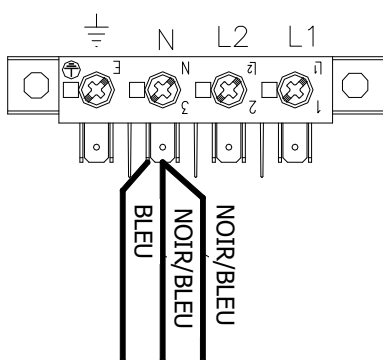
Téléphone : 1-800-524-2954

Site web : www.dexter.com

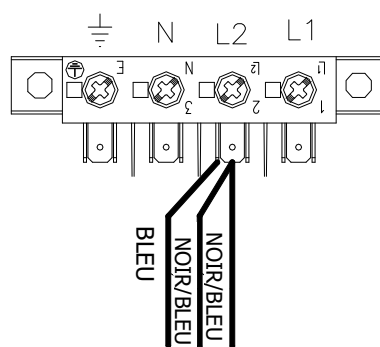
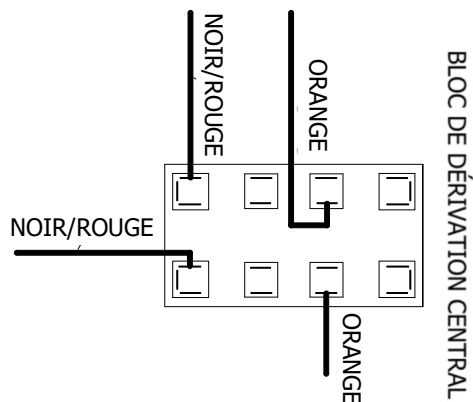
Instructions – Convertir une sècheuse superposée à double tension de 120 V en 208-240 V (aucun neutre requis, -15 MODÈLES)

1. Coupez l'alimentation de la sècheuse. Utilisez un voltmètre en bon état de marche pour vérifier l'alimentation.
2. Retirez le couvercle du boîtier de commande de la sècheuse à l'aide d'une clé de 5/16 po.
3. Déplacez le fil noir/bleu ET le fil bleu de la position N du bornier d'alimentation principale vers la position L2 du bornier d'alimentation principale dans le boîtier de commande supérieur. Consultez la figure ci-dessous.
4. Déplacez le fil blanc/rouge du harnais de moteur supérieur vers une borne interne en haut à gauche du bornier situé au milieu du boîtier de commande inférieur. Consultez la figure ci-dessous.
5. Déplacez le fil orange du harnais de moteur supérieur vers une borne interne en haut à gauche du bornier situé au milieu du boîtier de commande inférieur. Consultez la figure ci-dessous.
6. Déplacez le fil blanc/rouge du harnais de moteur inférieur vers une borne interne en bas à gauche du bornier situé au milieu du boîtier de commande inférieur. Consultez la figure ci-dessous.
7. Déplacez le fil orange du harnais de moteur inférieur vers une borne interne en bas à gauche du bornier situé au milieu du boîtier de commande inférieur. Consultez la figure ci-dessous.

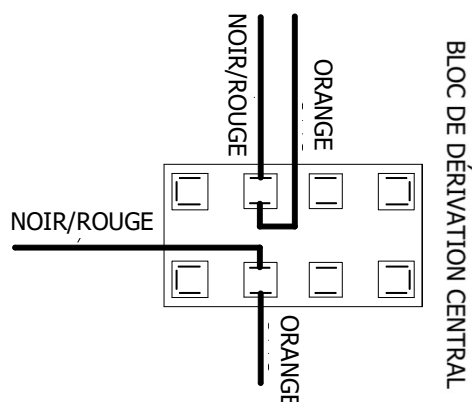
Vous trouverez la suite des instructions de conversion à la page suivante.



110–120V (L1, N)



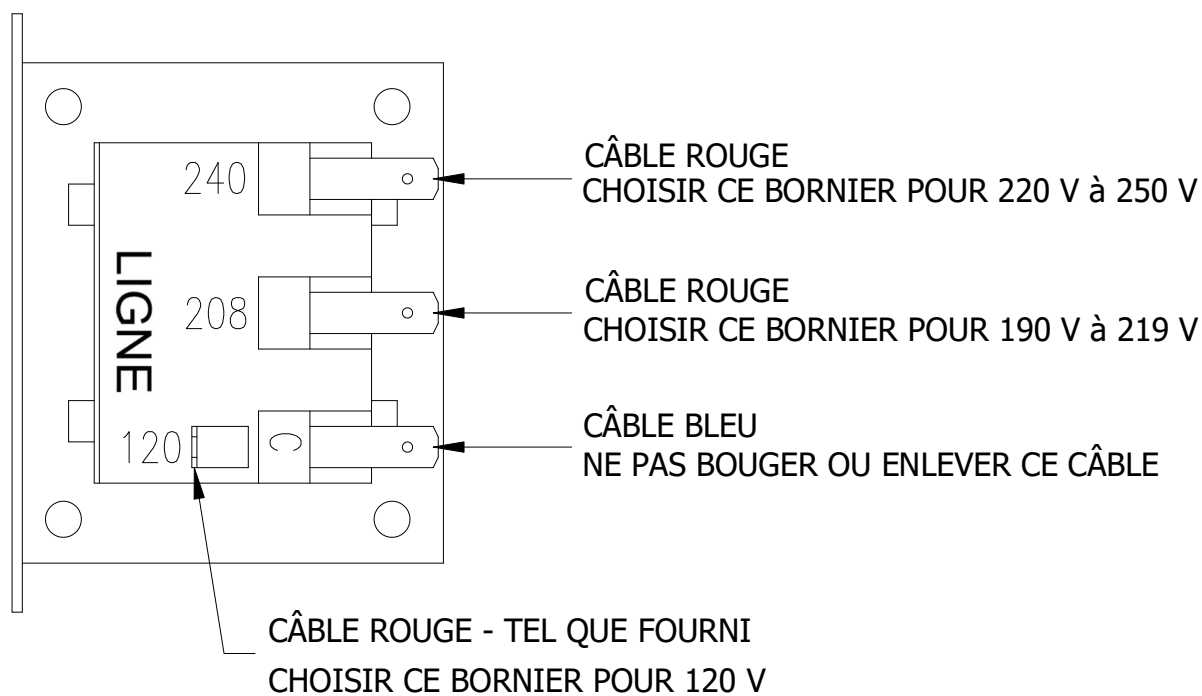
208–240V (L1, L2)



- Déplacez le fil rouge de la prise 120 V du transformateur situé au fond du boîtier de commande vers la prise de tension requise en fonction de la mesure de tension d'alimentation réelle. Consultez la figure ci-dessous.

RACCORDEMENTS DU TRANSFORMATEUR DE COMMANDE

VUE DU CÔTÉ DU TRANSFORMATEUR



- Remettez la sécheuse sous tension et testez-la pour vous assurer qu'elle fonctionne correctement; une tension secteur vers L1, une tension secteur vers L2 et la masse vers E.
- Remettez le couvercle du boîtier de commande sur la sécheuse à l'aide d'une clé de 5/16 po.